

4

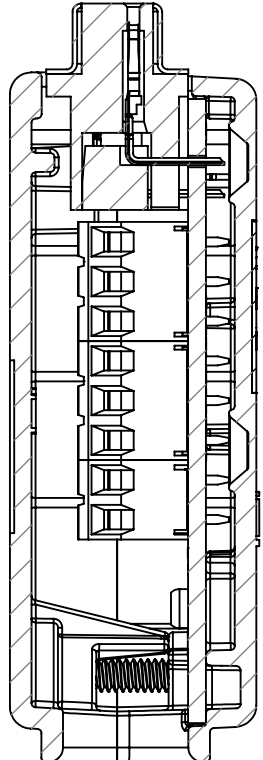
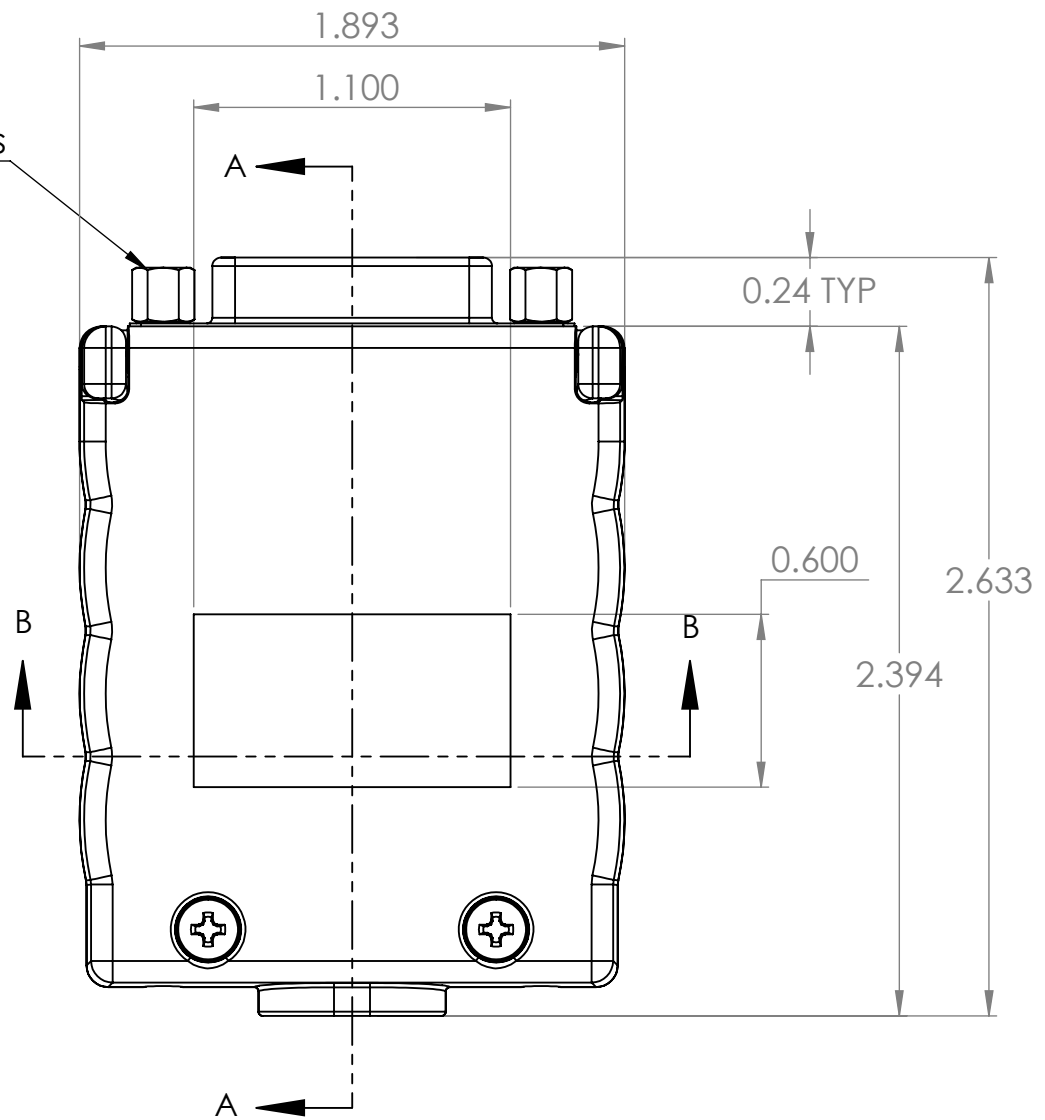
3

2

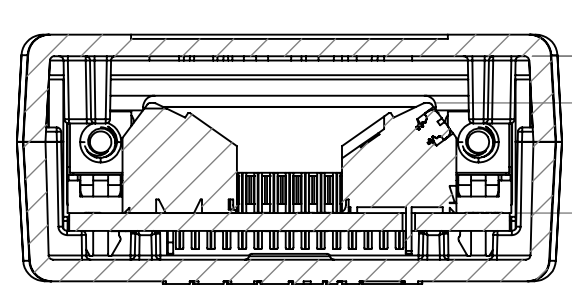
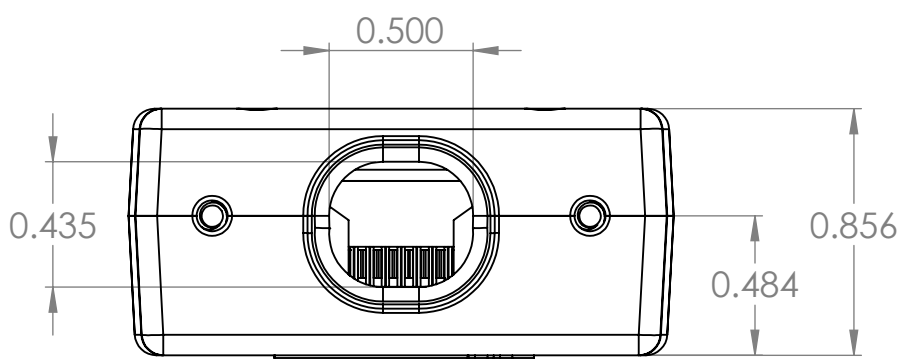
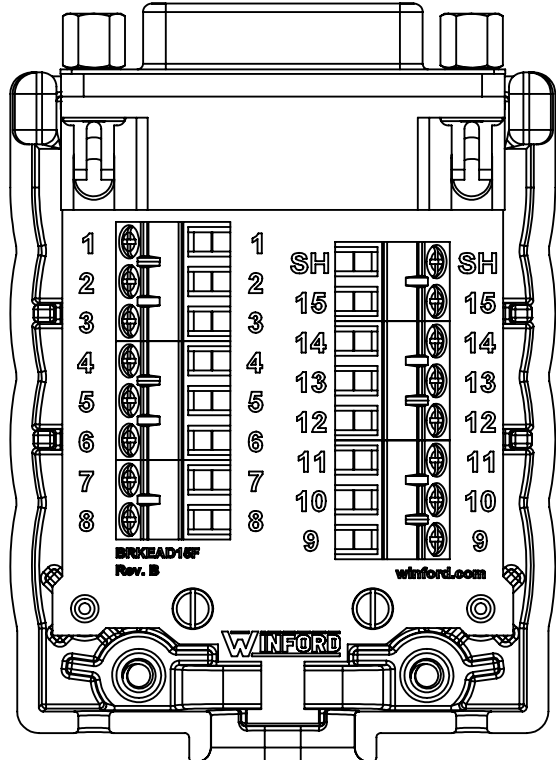
1

#4-40 Threads

Base, with board installed,  
No Cover

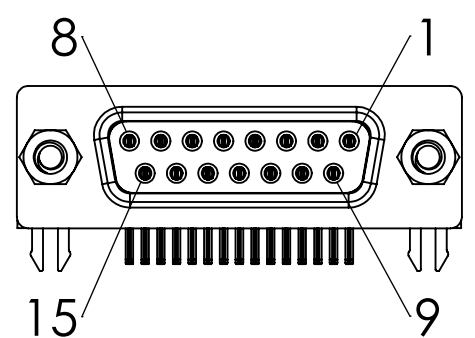



SECTION A-A



SECTION B-B

Connector Pinout  
(Female)



DIM: INCH	DATE: 07/26/2024	RoHS COMPLIANT: Yes	DESCRIPTION: DB15 Female Breakout Board W/ Enclosure
 WINFORD ENGINEERING, LLC 4561 GARFIELD ROAD AUBURN, MI 48611		PART NUMBER (S) <b>BRKEAD15F-R</b>	PART REVISION <b>B</b>
www.winford.com		989-671-9721	

4

3

2

1

B

B

A

A