

4

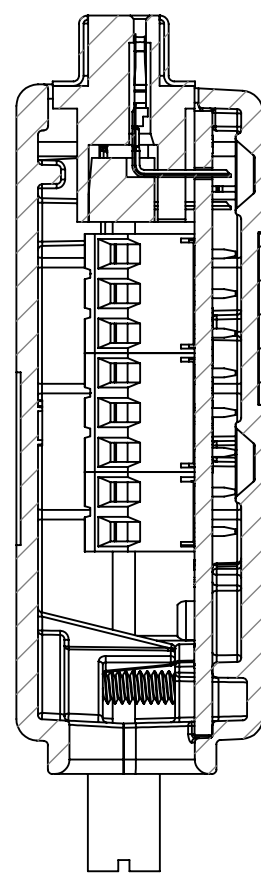
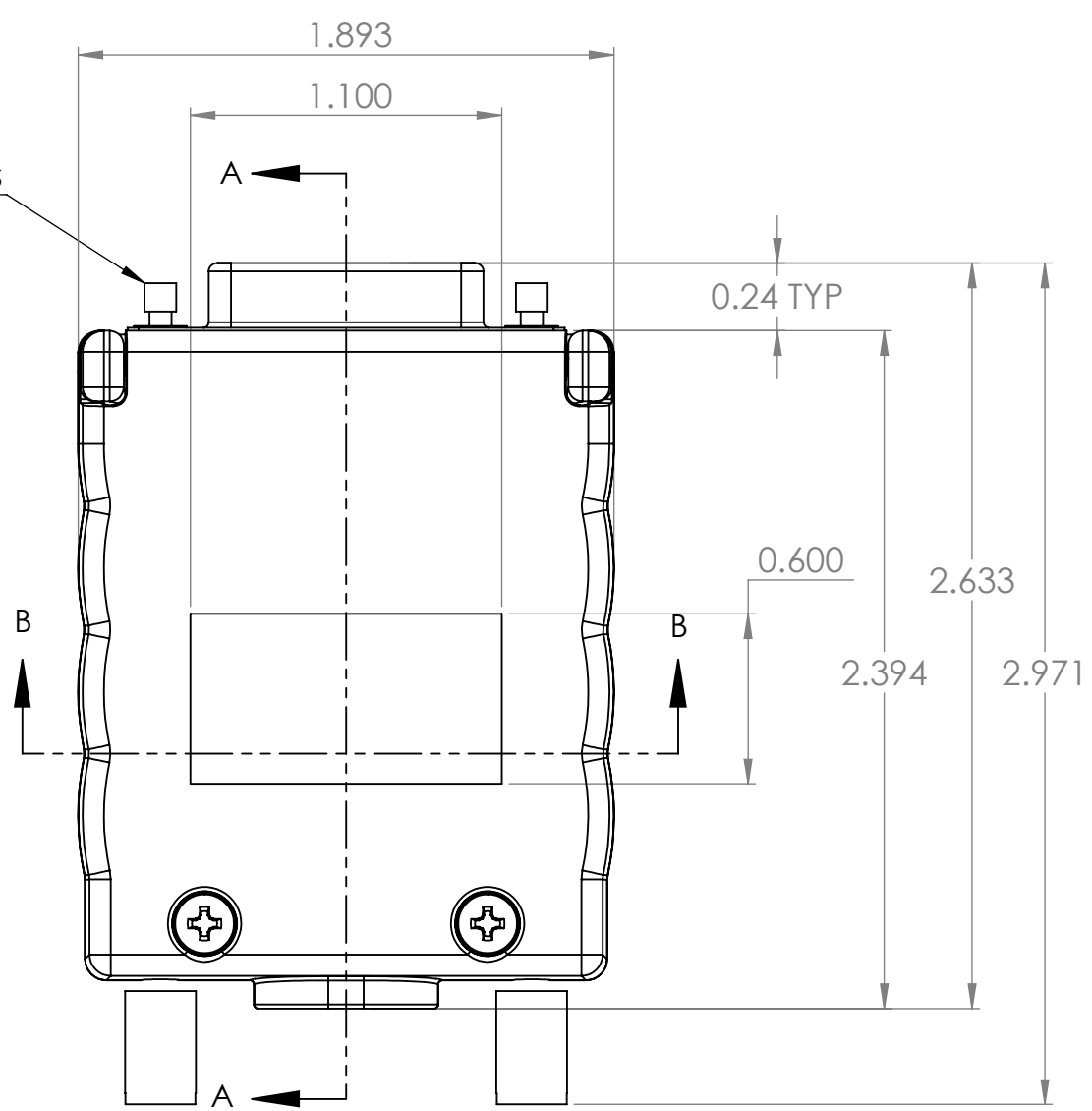
3

2

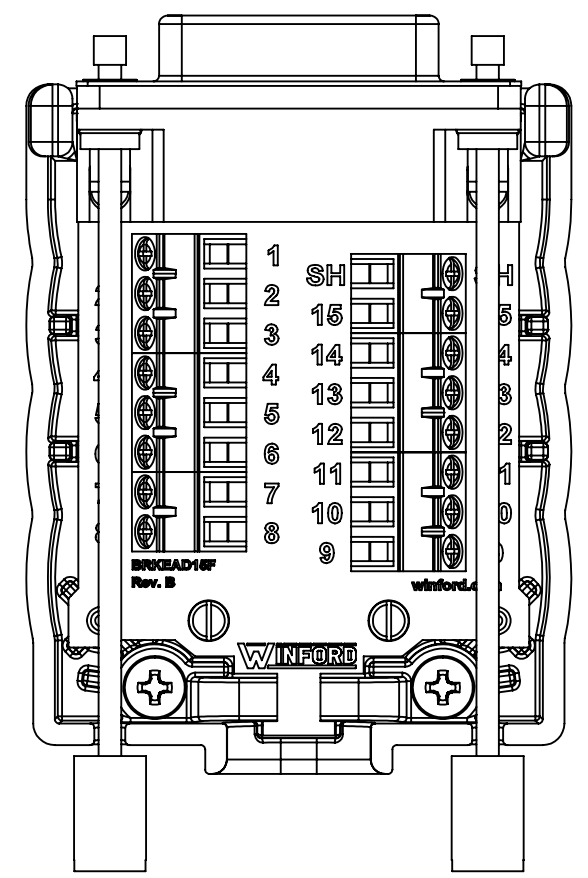
1

Base, with board installed,  
No Cover

#4-40 Threads



SECTION A-A



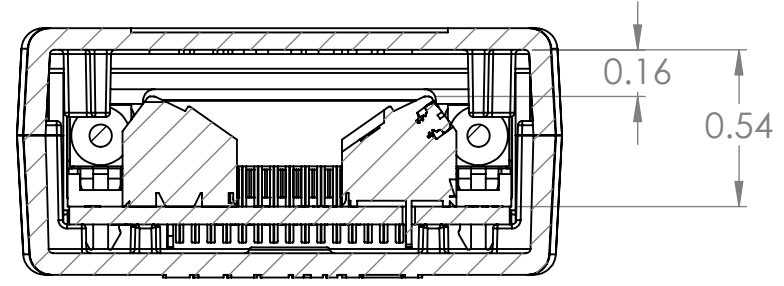
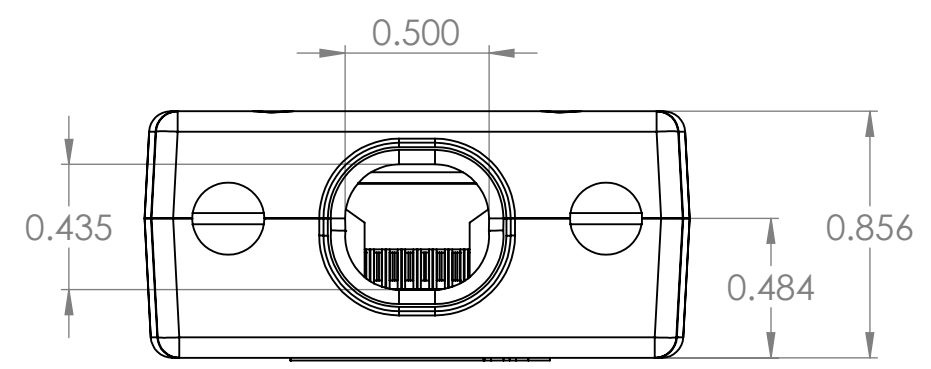
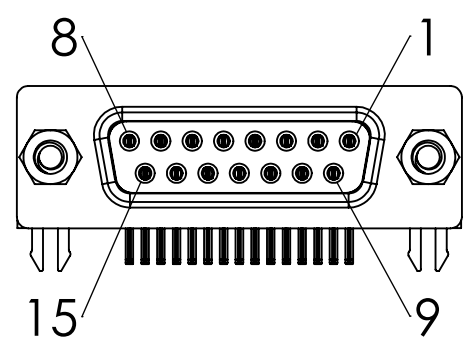
B

B


A

A

Connector Pinout  
(Female)



SECTION B-B

DIM: INCH	DATE: 07/26/2024	RoHS COMPLIANT: Yes	DESCRIPTION:
 WINFORD ENGINEERING, LLC 4561 GARFIELD ROAD AUBURN, MI 48611			DB15 Female Breakout Board W/ Enclosure
www.winford.com		989-671-9721	PART NUMBER (S) <b>BRKEAD15F-T</b>
			PART REVISION <b>B</b>

4

3

2

1