

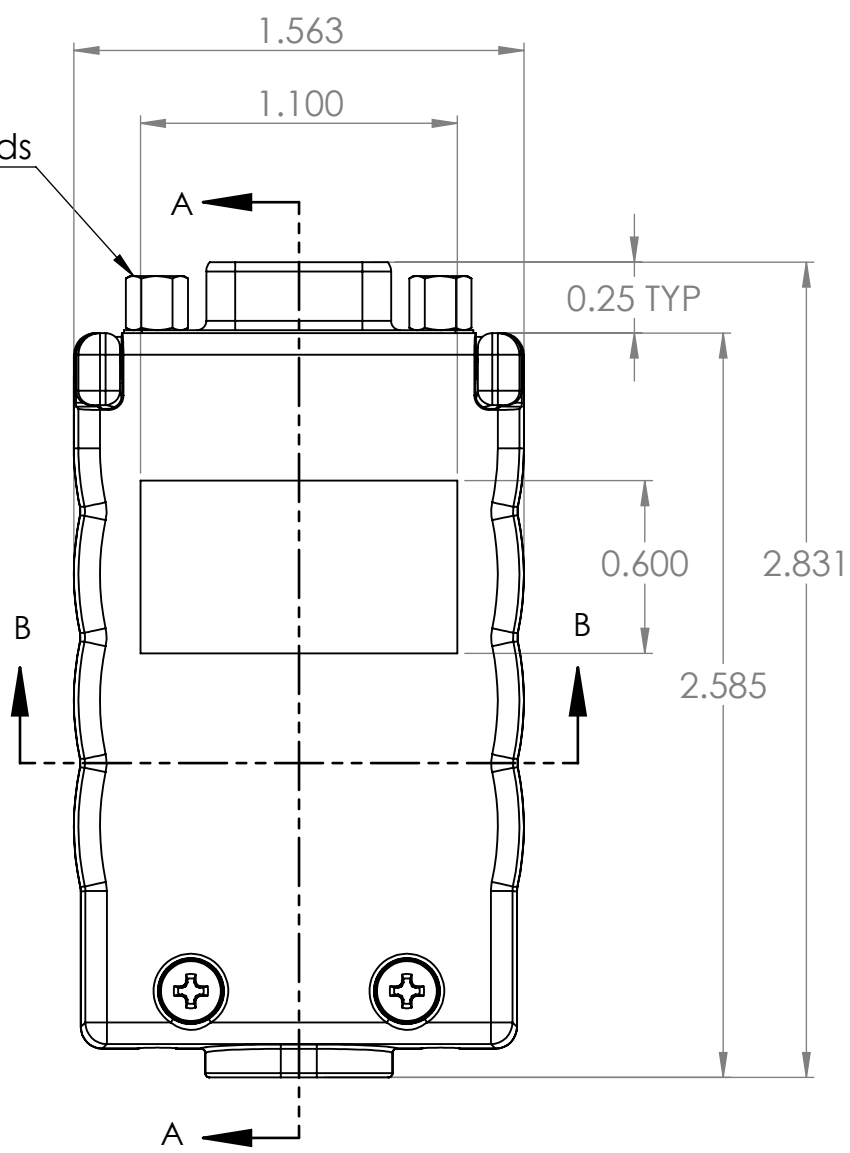
4

3

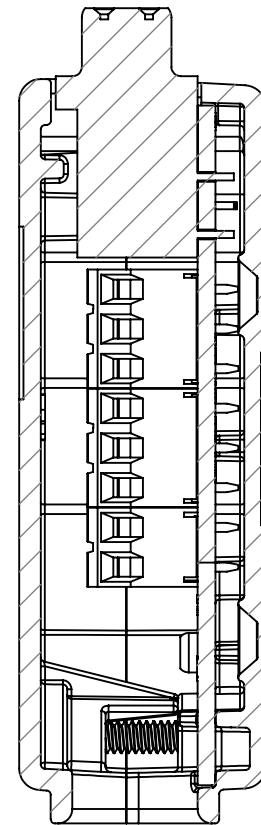
2

1

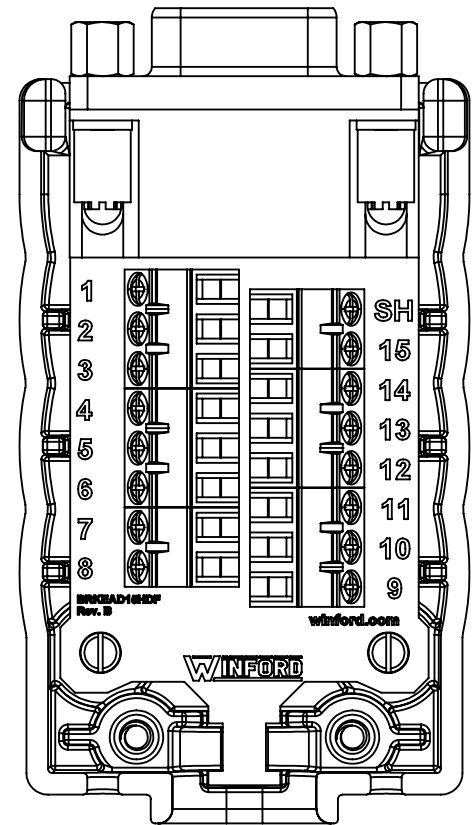
#4-40 Threads



Base, with board installed,
No Cover



SECTION A-A



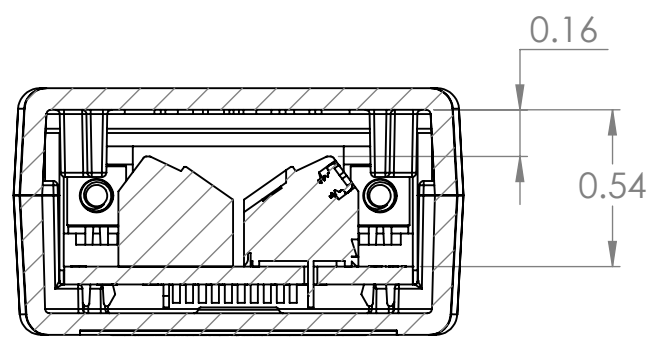
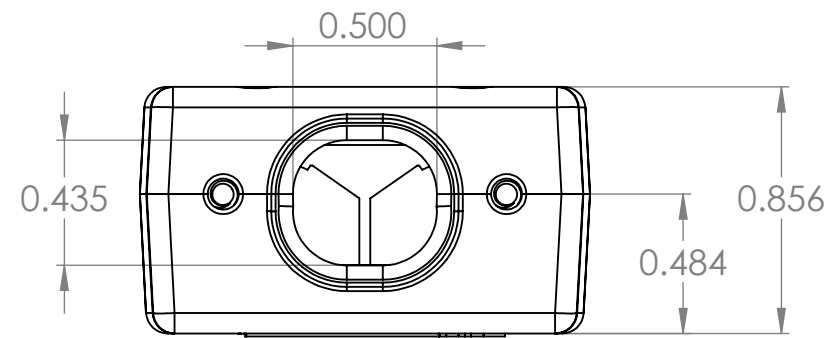
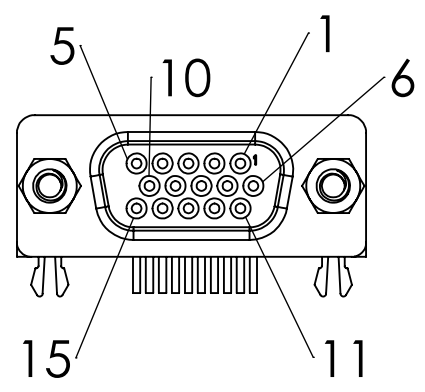
B

B


A

A

Connector Pinout
(Female)



SECTION B-B

DIM: INCH	DATE: 09/16/2024	RoHS COMPLIANT: Yes	DESCRIPTION:
 WINFORD ENGINEERING, LLC 4561 GARFIELD ROAD AUBURN, MI 48611			DB15HD Breakout W/ Enclosure
www.winford.com		989-671-9721	PART NUMBER (S) BRKEAD15HDF-R
			PART REVISION B

4

3

2

1