

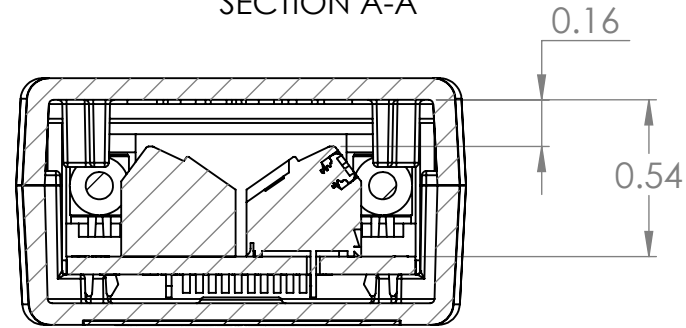
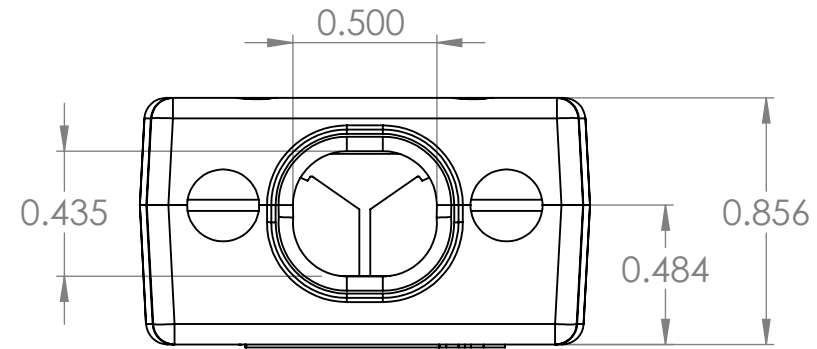
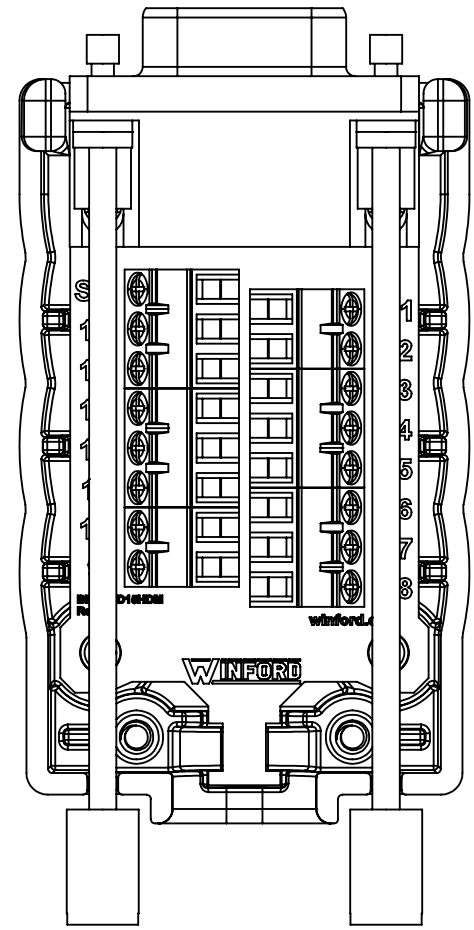
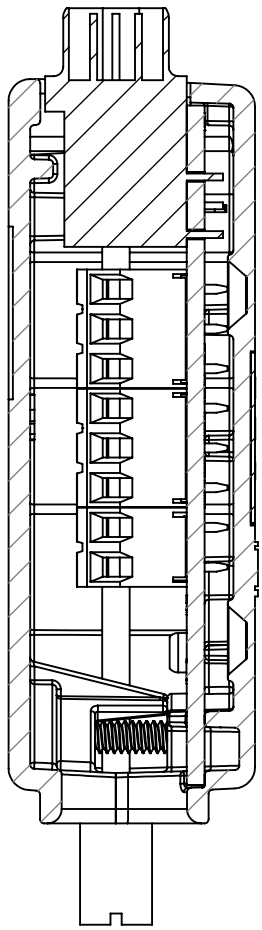
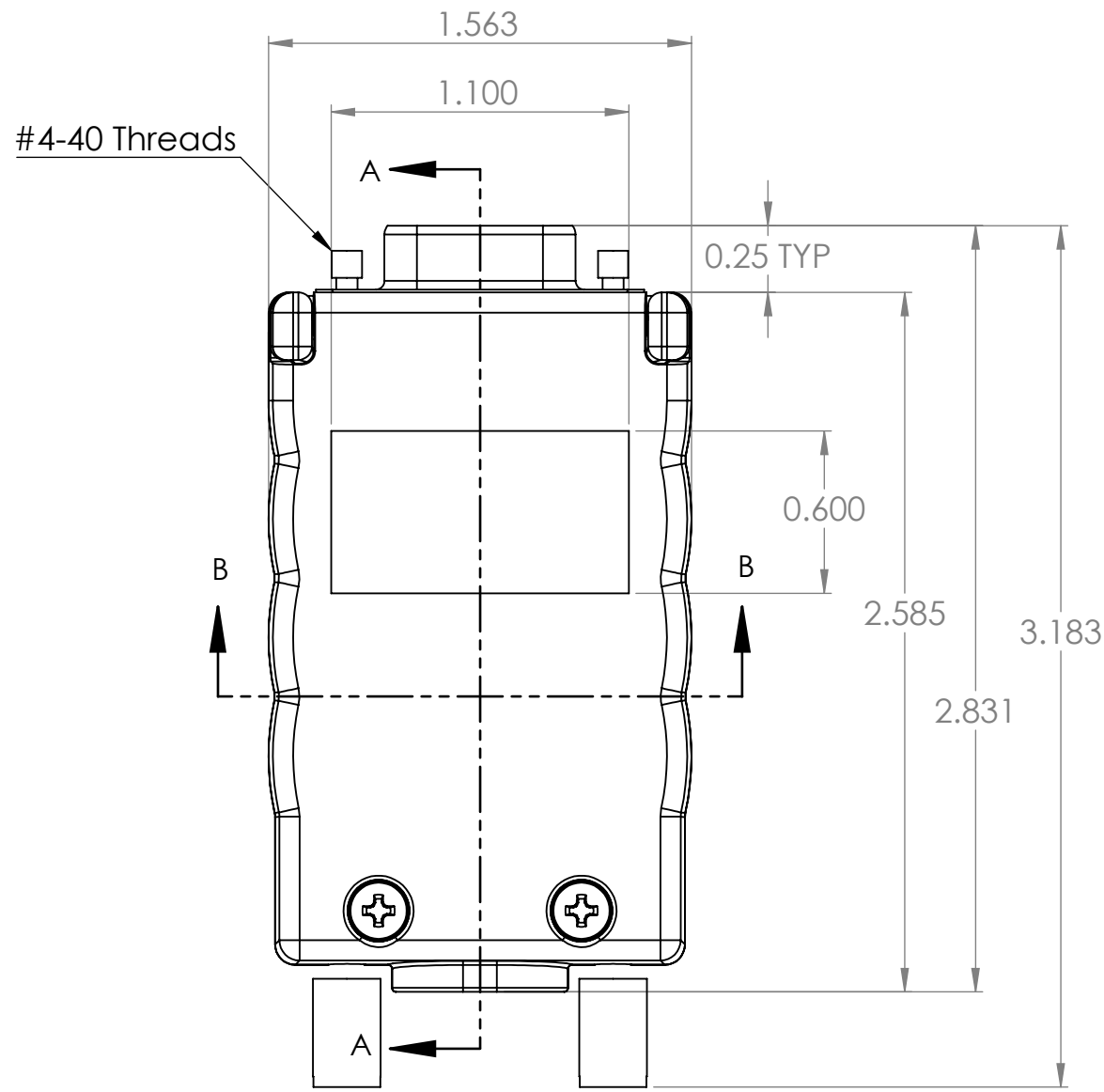
4

3

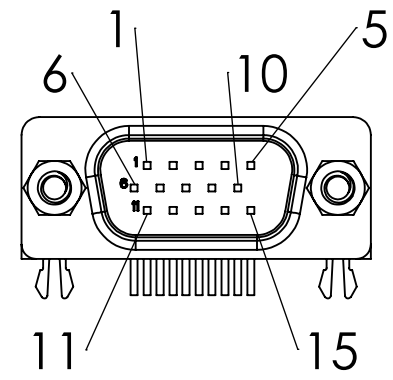
2


1

Base, with board installed,  
No Cover



Connector Pinout  
(Male)



DIM: INCH	DATE: 09/17/2024	RoHS COMPLIANT: Yes	DESCRIPTION:
 WINFORD ENGINEERING, LLC 4561 GARFIELD ROAD AUBURN, MI 48611			DB15HD Breakout W/ Enclosure
www.winford.com			PART NUMBER (S)
989-671-9721			BRKEAD15HDM-T
			PART REVISION
			B

4

3

2

1