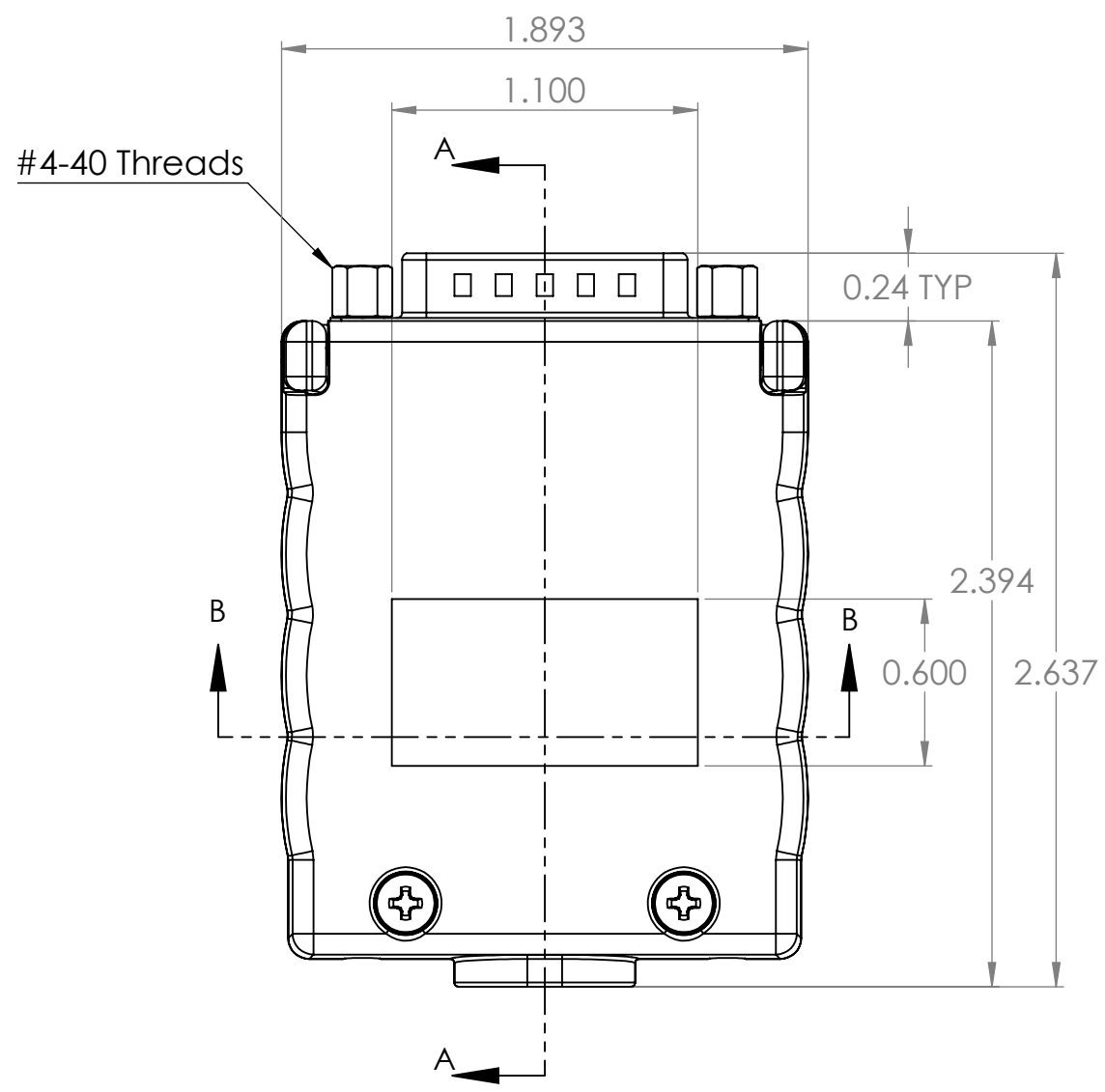


4

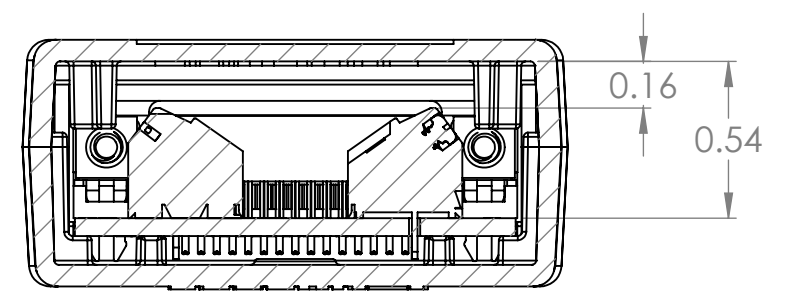
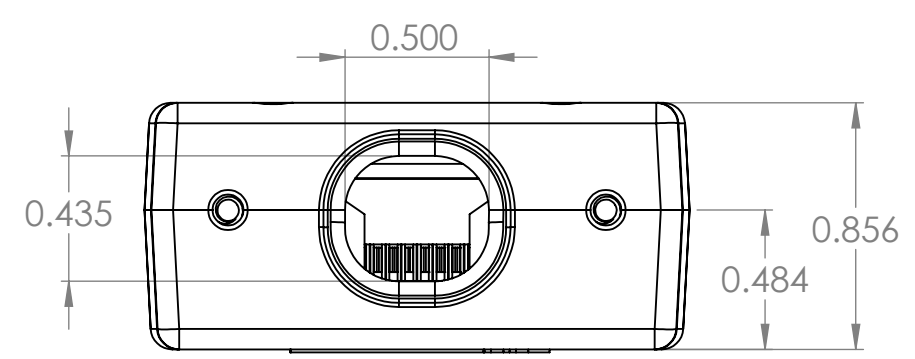
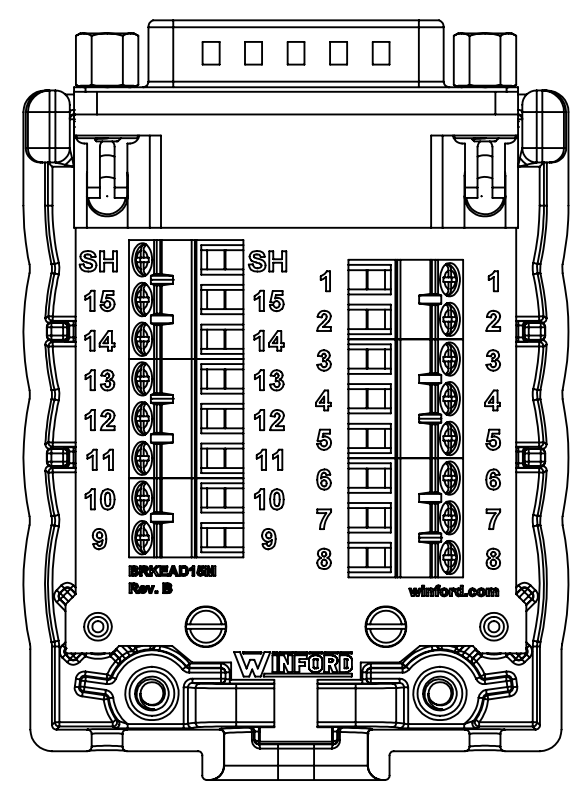
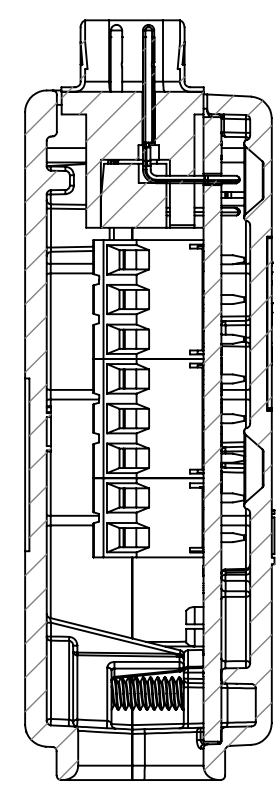
3

2

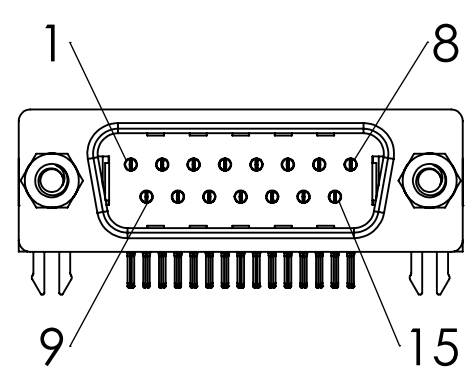
1




Base with board installed,  
No Cover



Connector Pinout  
(Male)



DIM: INCH	DATE: 08/16/2024	RoHS COMPLIANT: Yes	DESCRIPTION:
 WINFORD ENGINEERING, LLC 4561 GARFIELD ROAD AUBURN, MI 48611			DB15 Male Breakout Board W/ Enclosure
www.winford.com		989-671-9721	PART NUMBER (S)
			BRK15M-R
			PART REVISION
			B

4

3

2

1

B

B

A

A