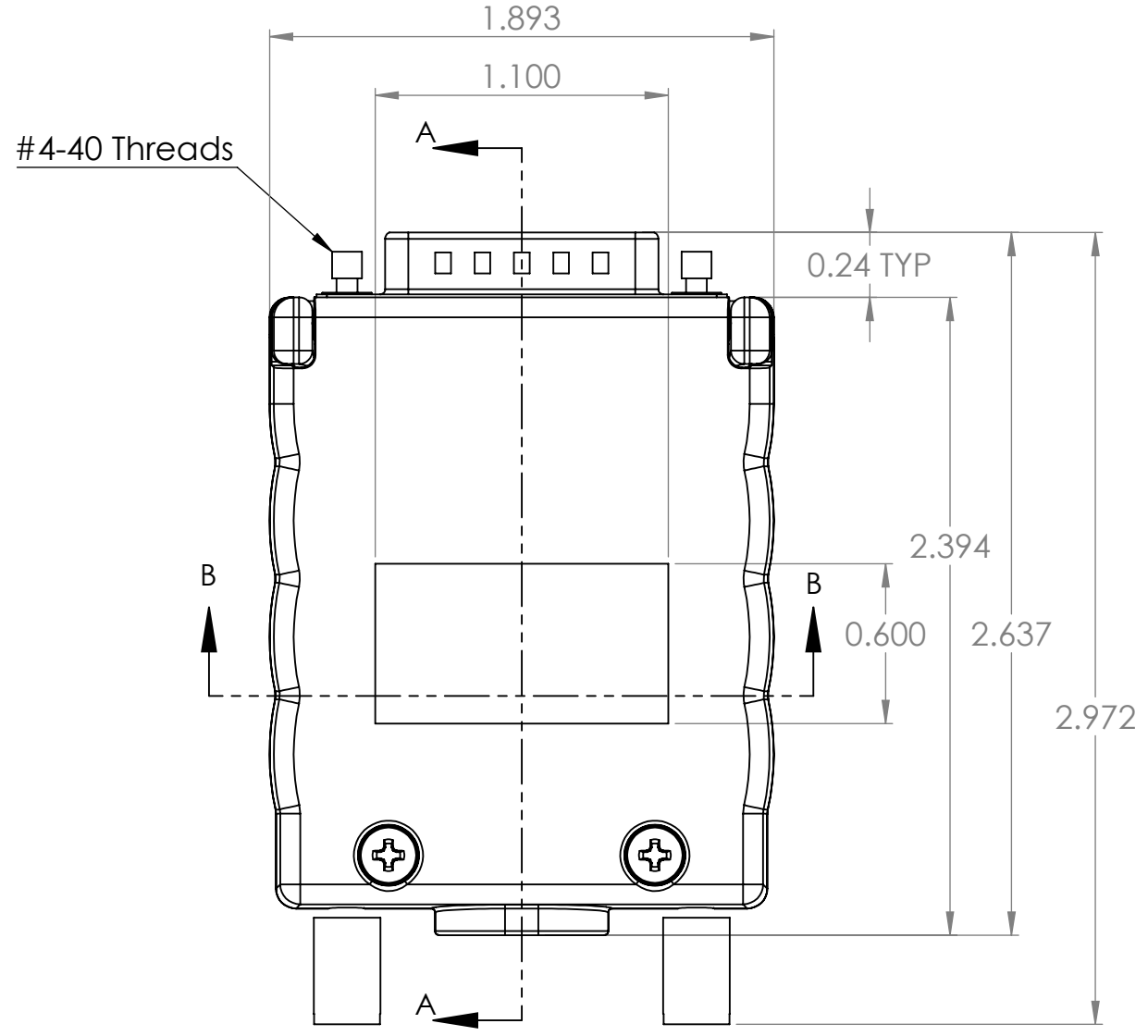


4

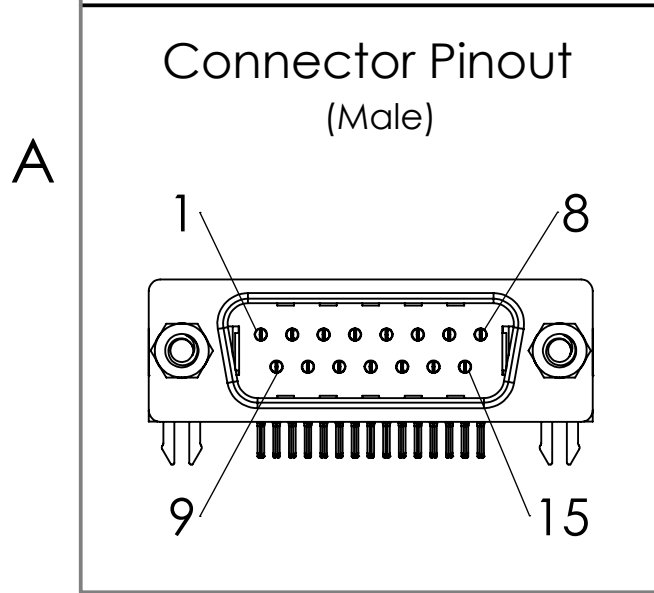
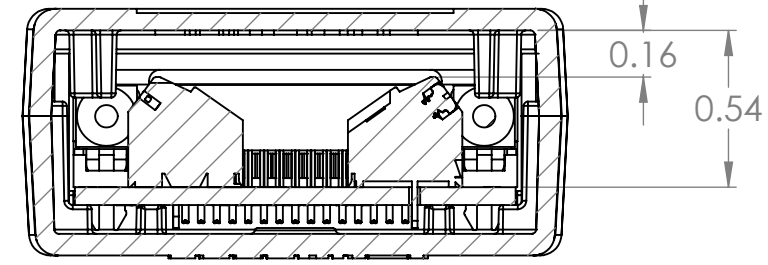
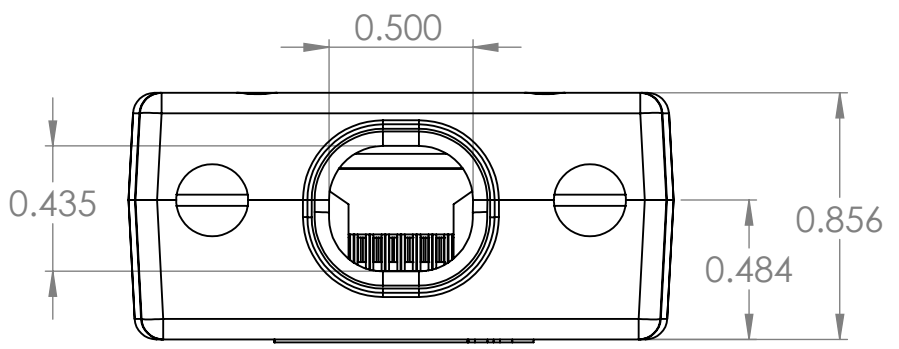
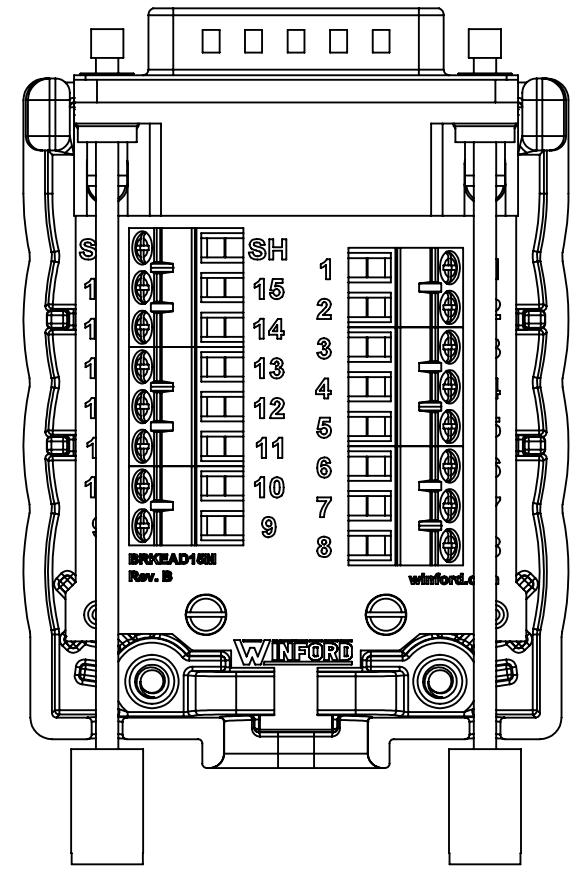
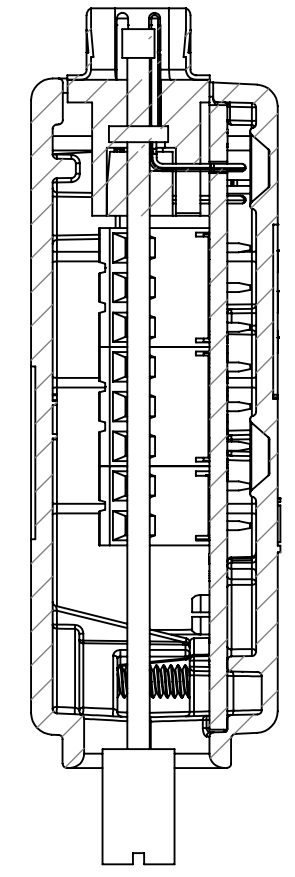
3


2

1



Base with board installed,
No Cover



DIM: INCH	DATE: 08/16/2024	RoHS COMPLIANT: Yes	DESCRIPTION:
 WINFORD ENGINEERING, LLC 4561 GARFIELD ROAD AUBURN, MI 48611			DB15 Male Breakout Board W/ Enclosure
www.winford.com		989-671-9721	PART NUMBER (S) BRKAD15M-T
			PART REVISION B

4

3

2

1

A

A

B

B