

4

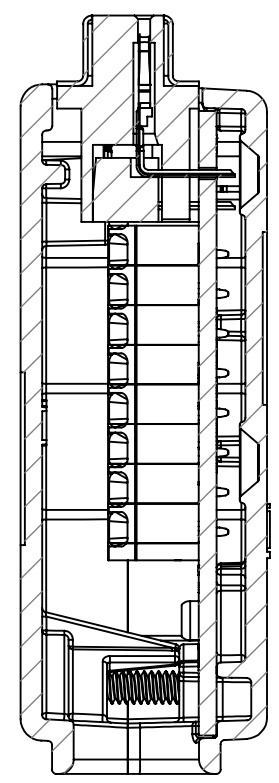
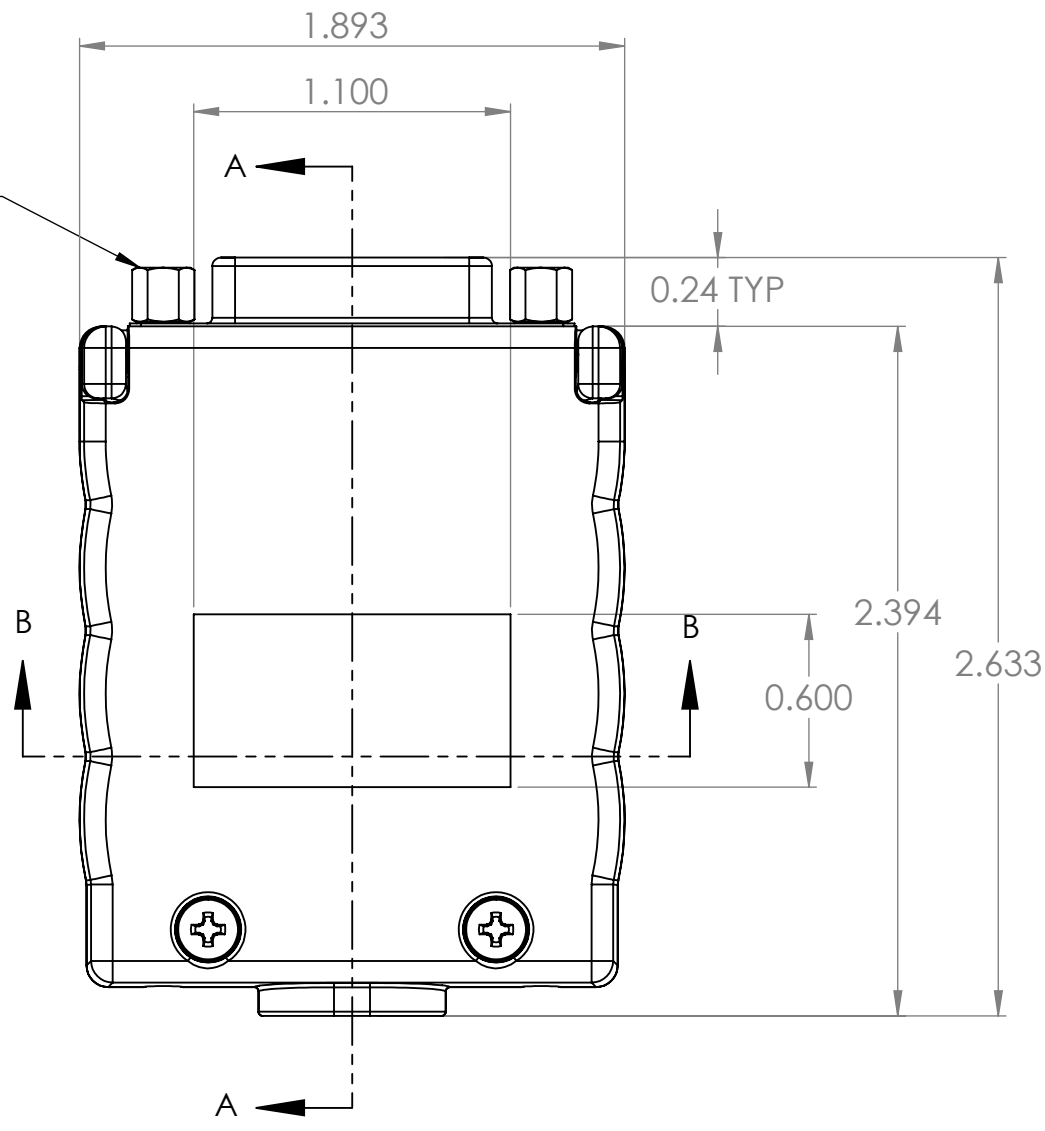
3

2

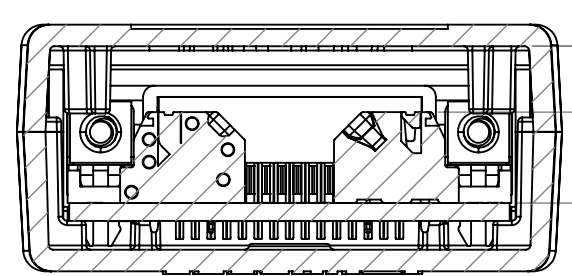
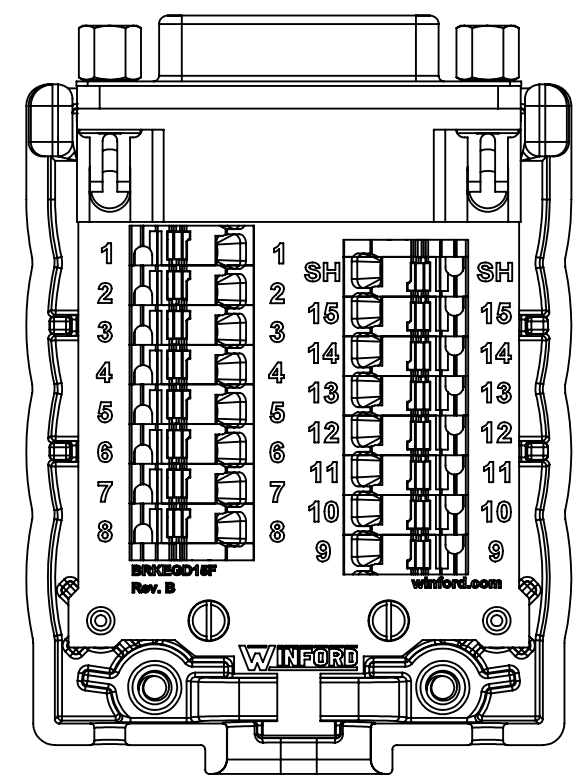
1

Base, with board installed, No Cover

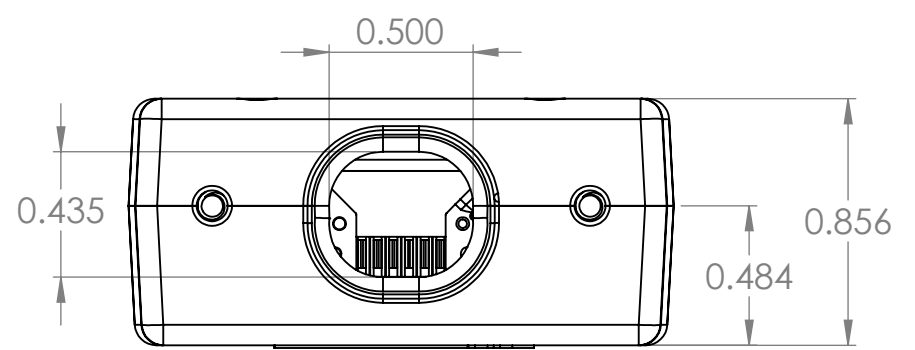
#4-40 Threads



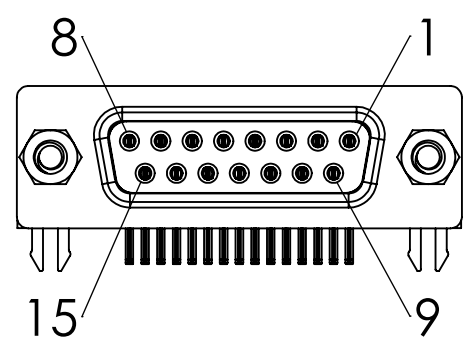
SECTION A-A




SECTION B-B



Connector Pinout (Female)



| | | | | |
|---|------------------|--|---|---------------------------|
| DIM: INCH | DATE: 09/05/2024 | RoHS COMPLIANT: Yes | DESCRIPTION: DB15 Female Breakout Board W/ Enclosure | |
|  | | WINFORD ENGINEERING, LLC 4561 GARFIELD ROAD AUBURN, MI 48611 | PART NUMBER (S) BRKEGD15F-R | PART REVISION B |
| www.winford.com | | 989-671-9721 | | |

4

3

2

1