

4

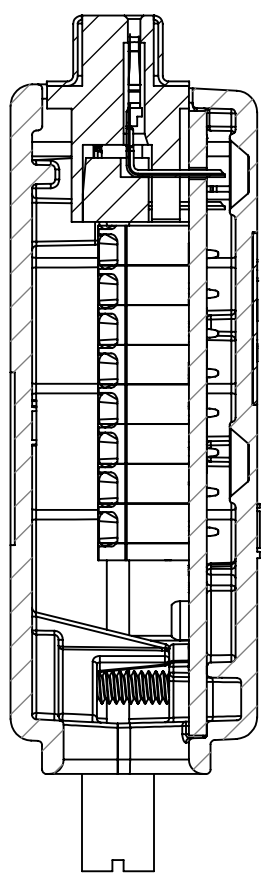
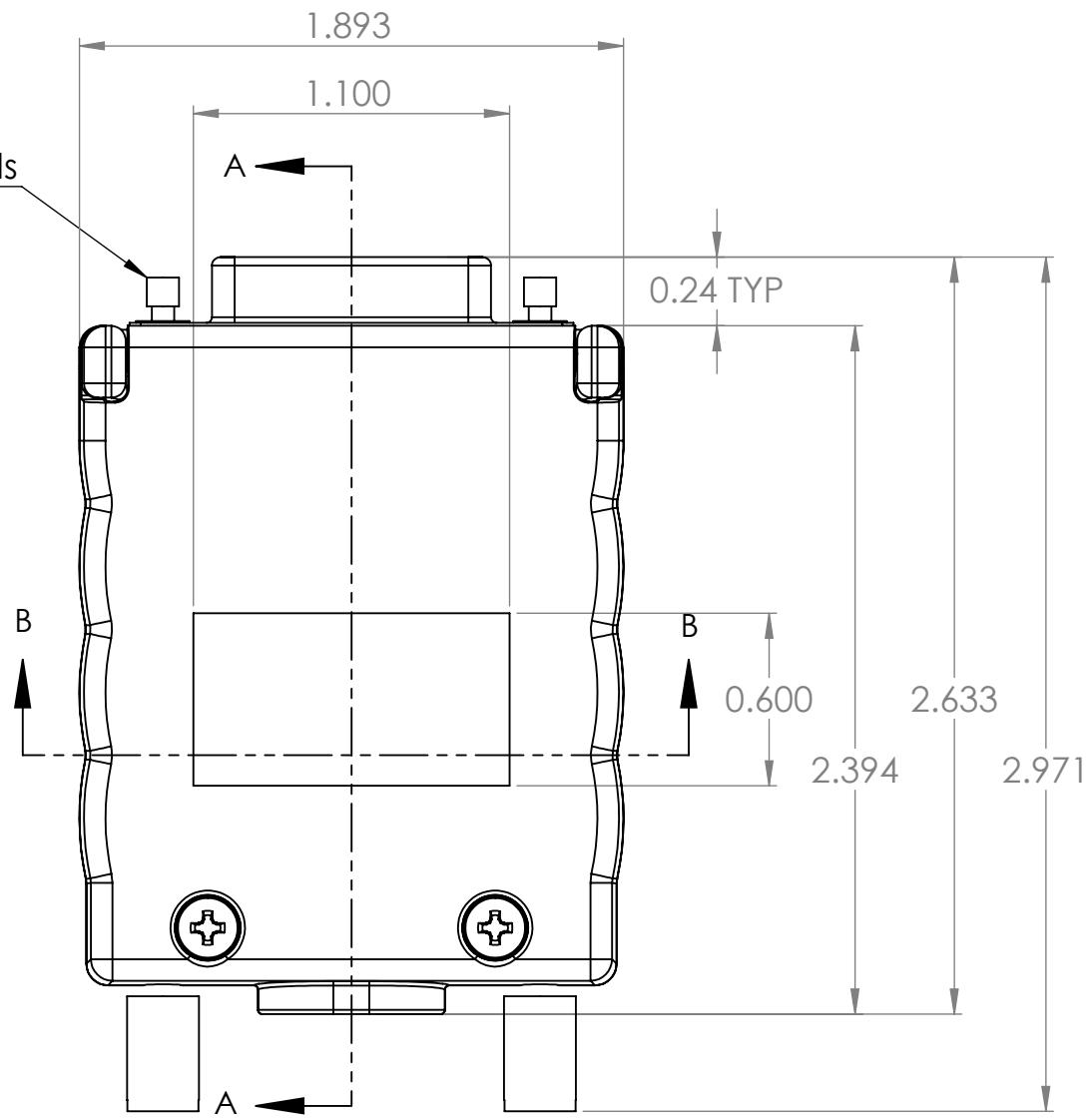
3

2

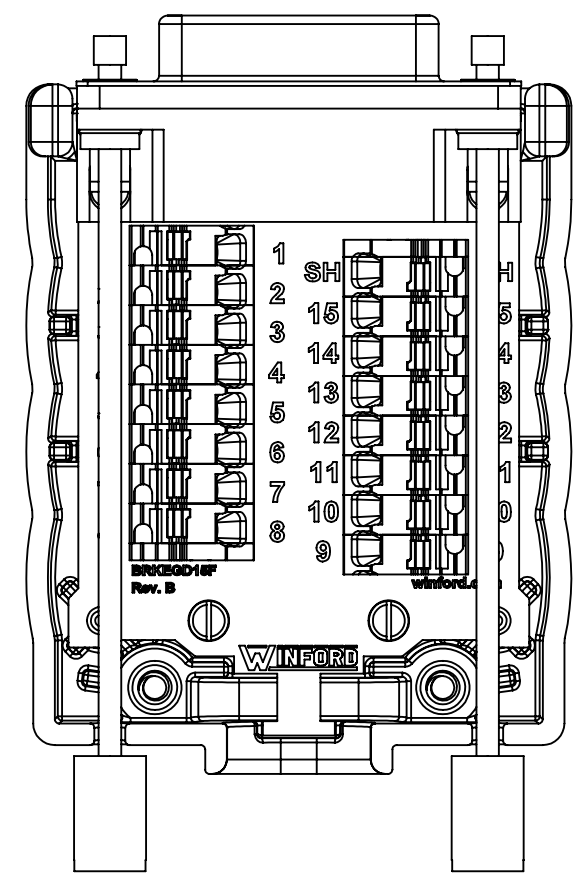
1

#4-40 Threads

Base, with board installed,
No Cover



SECTION A-A



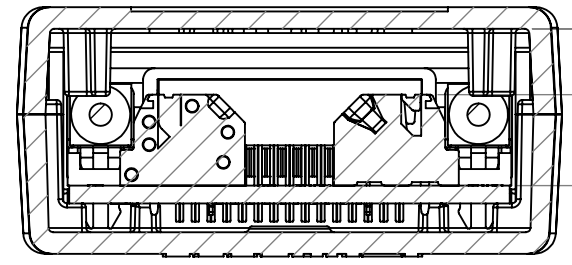
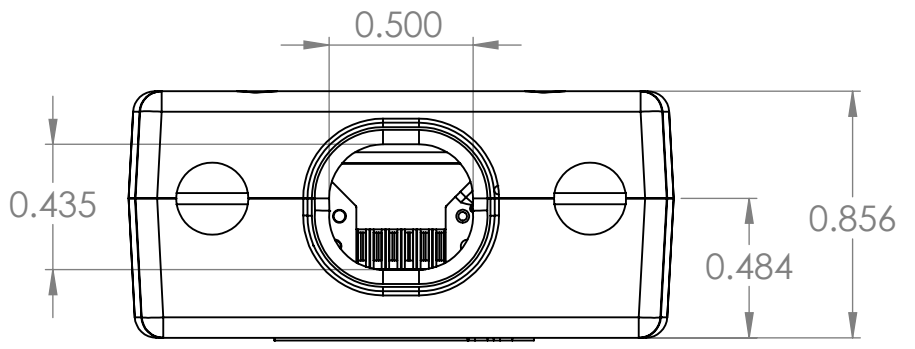
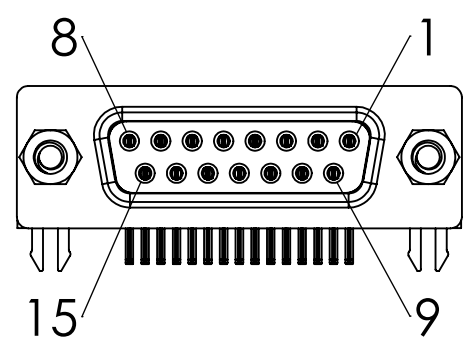
B

B


A

A

Connector Pinout
(Female)



SECTION B-B

DIM: INCH	DATE: 07/26/2024	RoHS COMPLIANT: Yes	DESCRIPTION:
 WINFORD ENGINEERING, LLC 4561 GARFIELD ROAD AUBURN, MI 48611			DB15 Female Breakout Board W/ Enclosure
www.winford.com		989-671-9721	PART NUMBER (S) BRKEGD15F-T
			PART REVISION B

4

3

2

1