

4

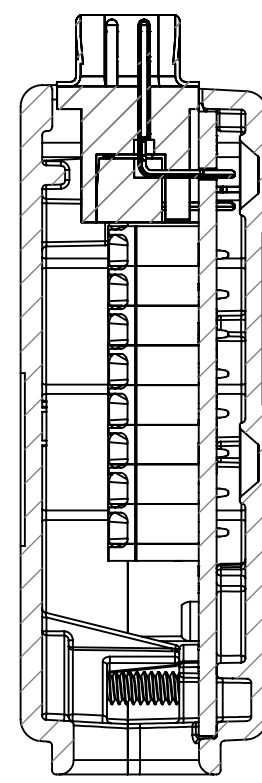
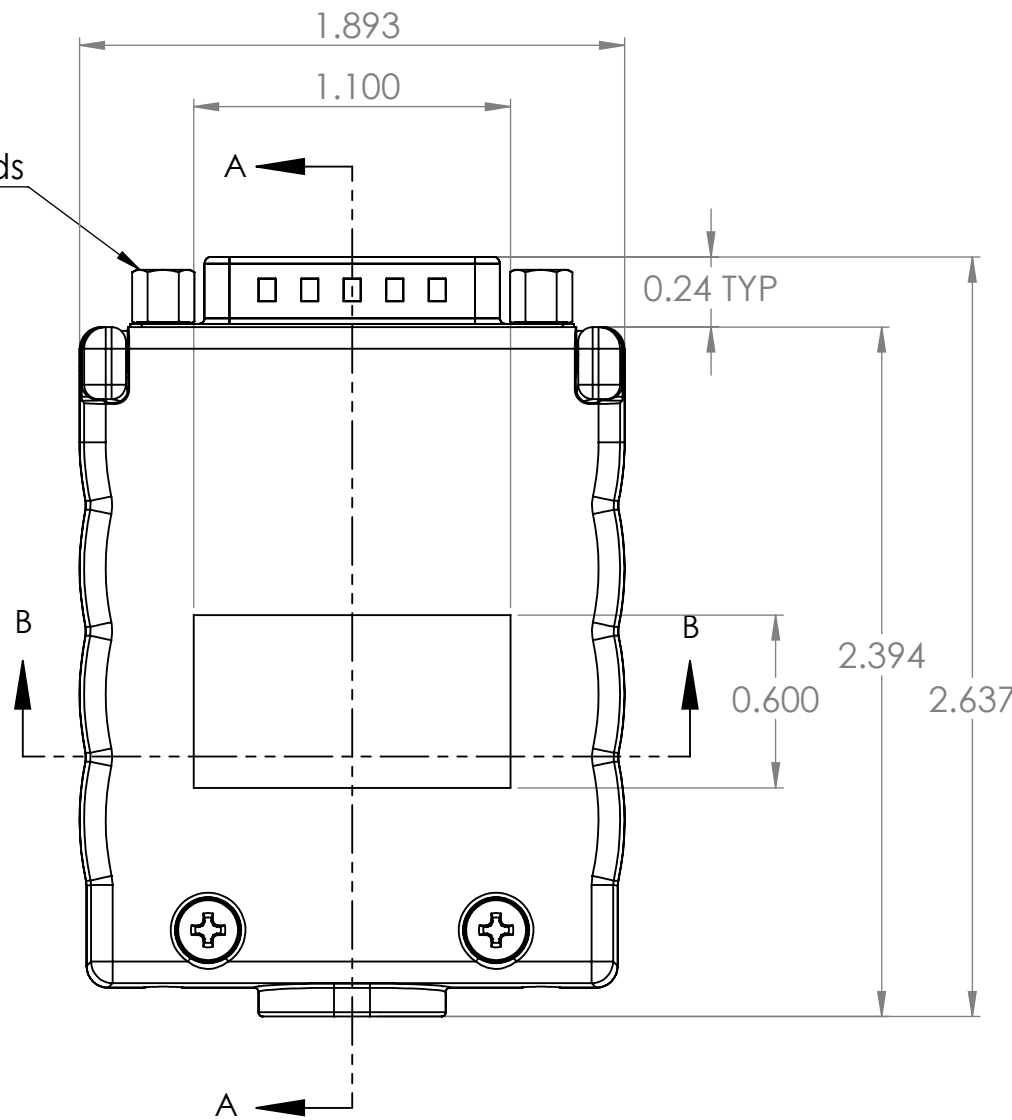
3

2

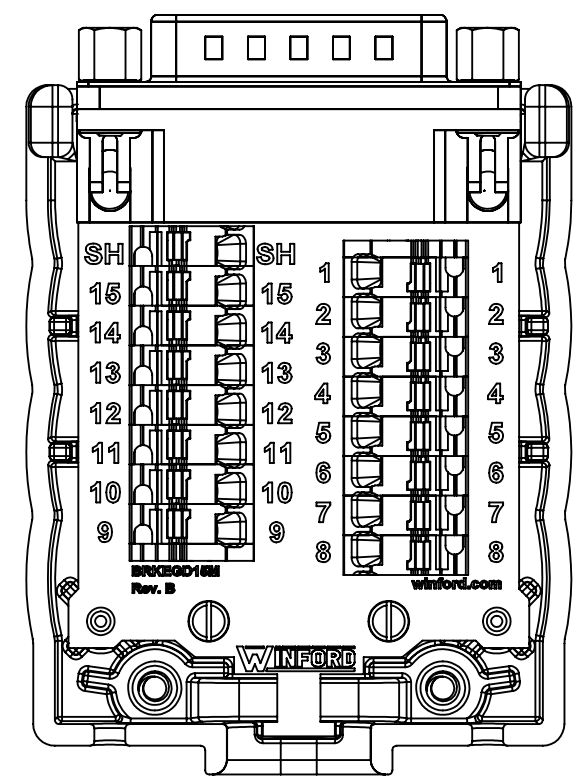
1

Base, with board installed, No Cover

#4-40 Threads



SECTION A-A



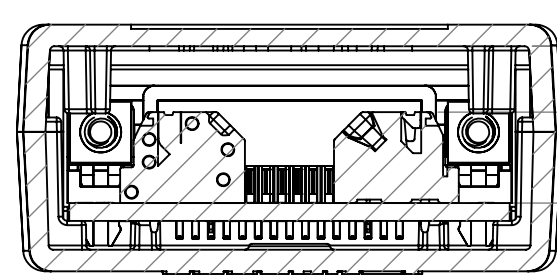
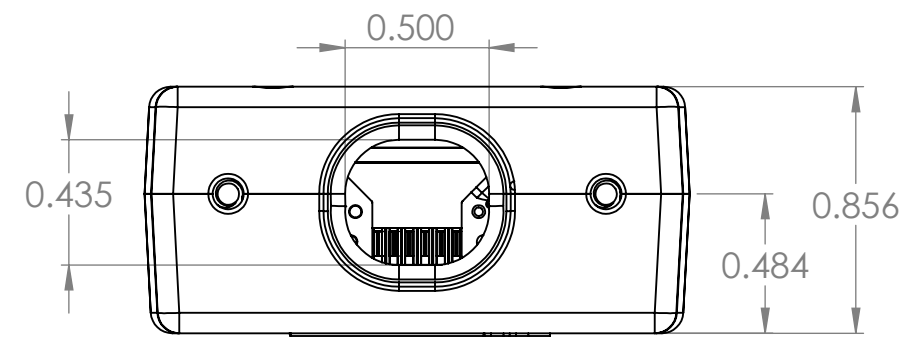
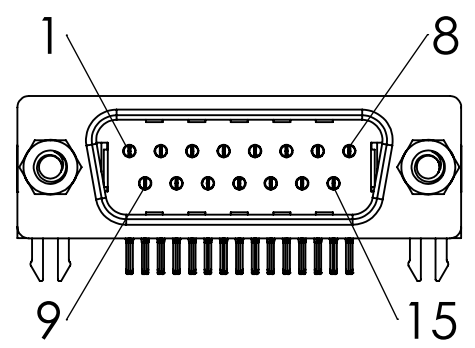
B

B

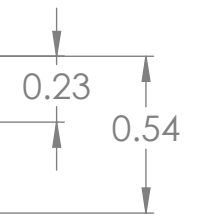
A


A

Connector Pinout (Male)



SECTION B-B



DIM: INCH	DATE: 09/05/2024	RoHS COMPLIANT: Yes	DESCRIPTION: DB15 Male Breakout Board W/ Enclosure	
 WINFORD ENGINEERING, LLC 4561 GARFIELD ROAD AUBURN, MI 48611			PART NUMBER (S)	PART REVISION
			BRKEGD15M-R	B
www.winford.com		989-671-9721		

4

3

2

1