

4

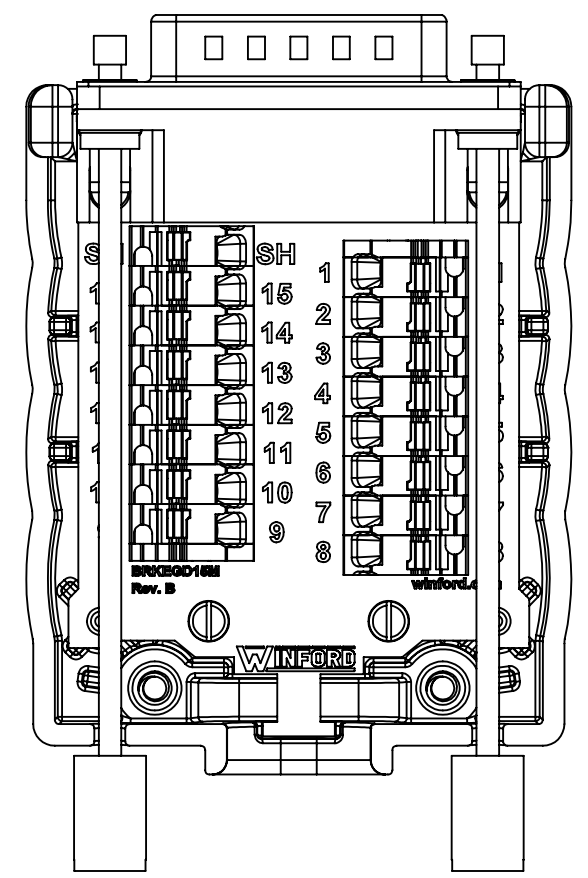
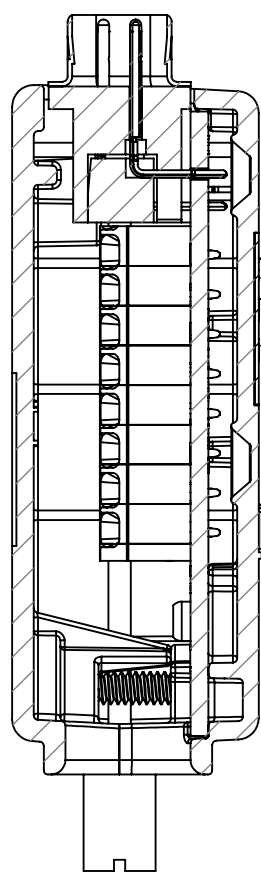
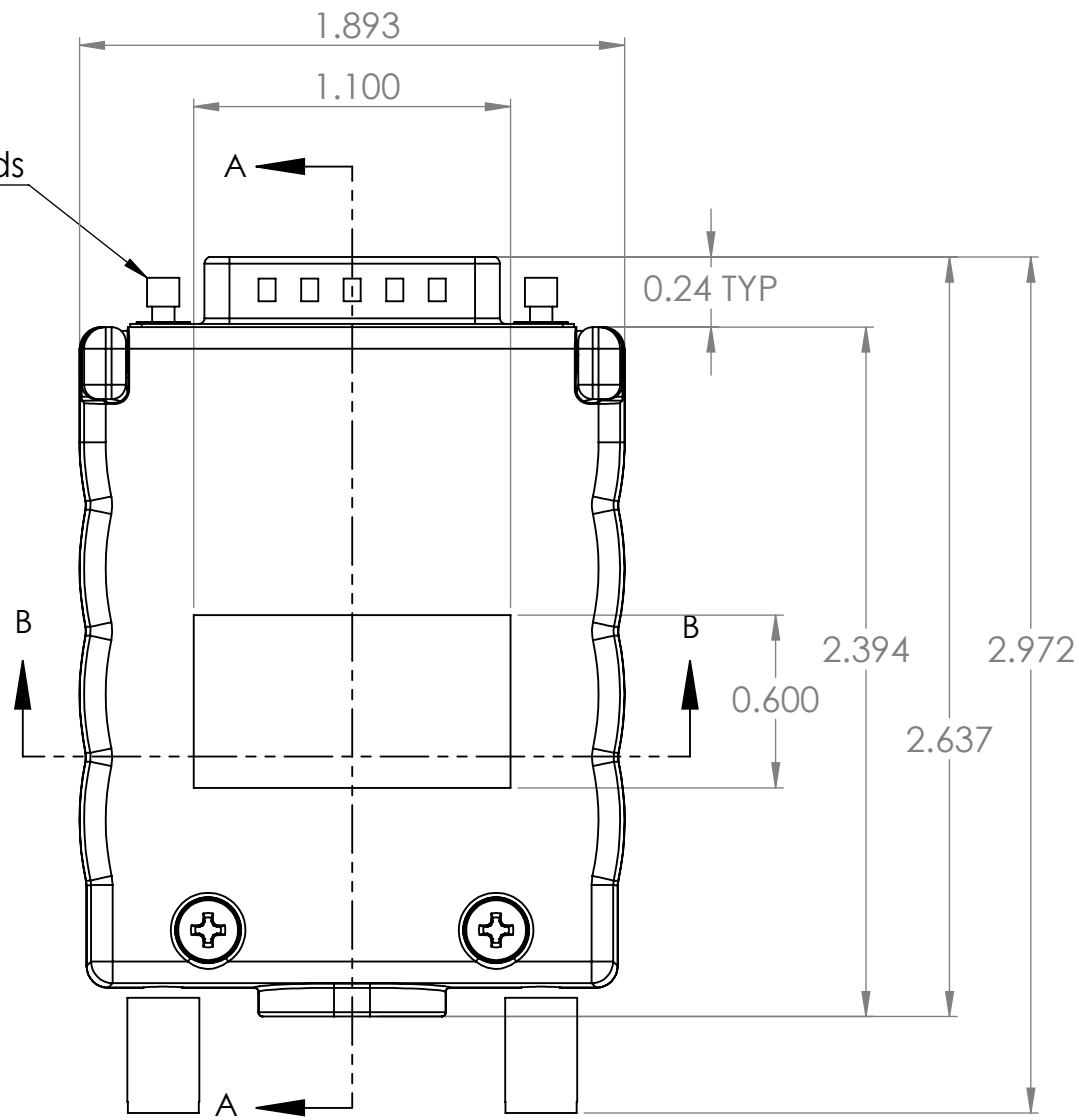
3

2

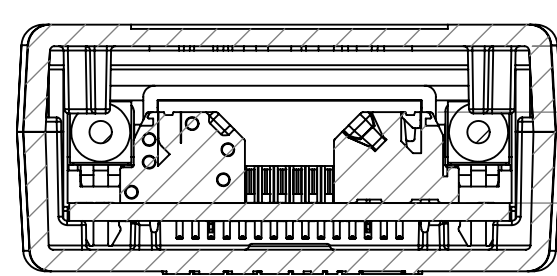
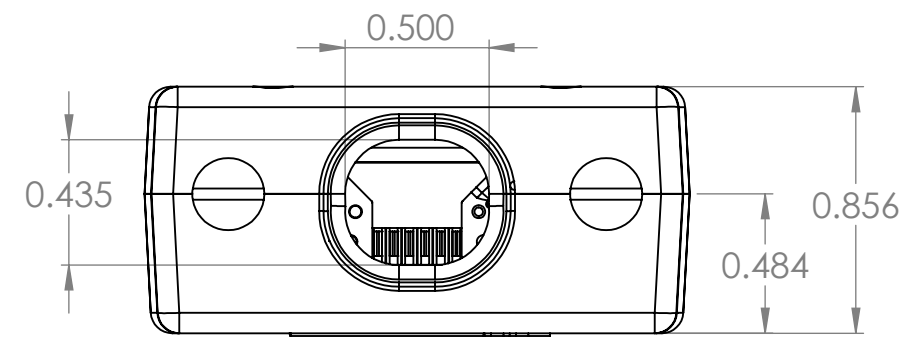
1

Base, with board installed, No Cover

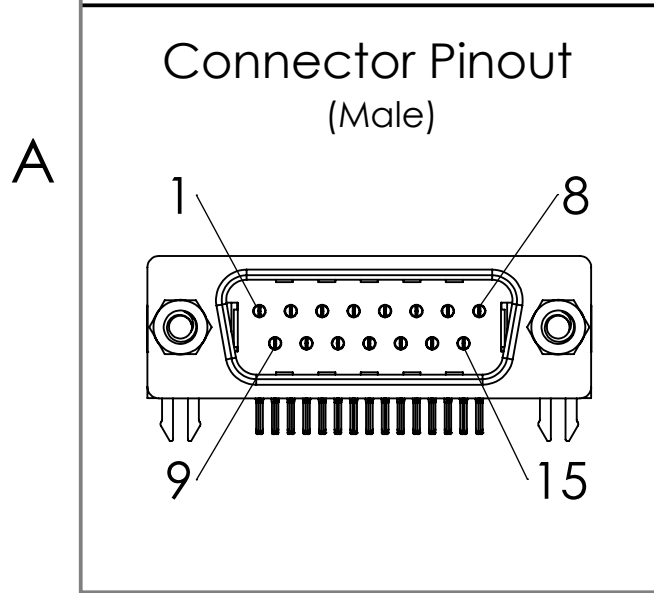
#4-40 Threads




SECTION A-A



SECTION B-B



DIM: INCH	DATE: 09/05/2024	RoHS COMPLIANT: Yes	DESCRIPTION:
 WINFORD ENGINEERING, LLC 4561 GARFIELD ROAD AUBURN, MI 48611			DB15 Male Breakout Board W/ Enclosure
			PART NUMBER (S)
www.winford.com	989-671-9721	BRKEGD15M-T	B

4

3

2

1