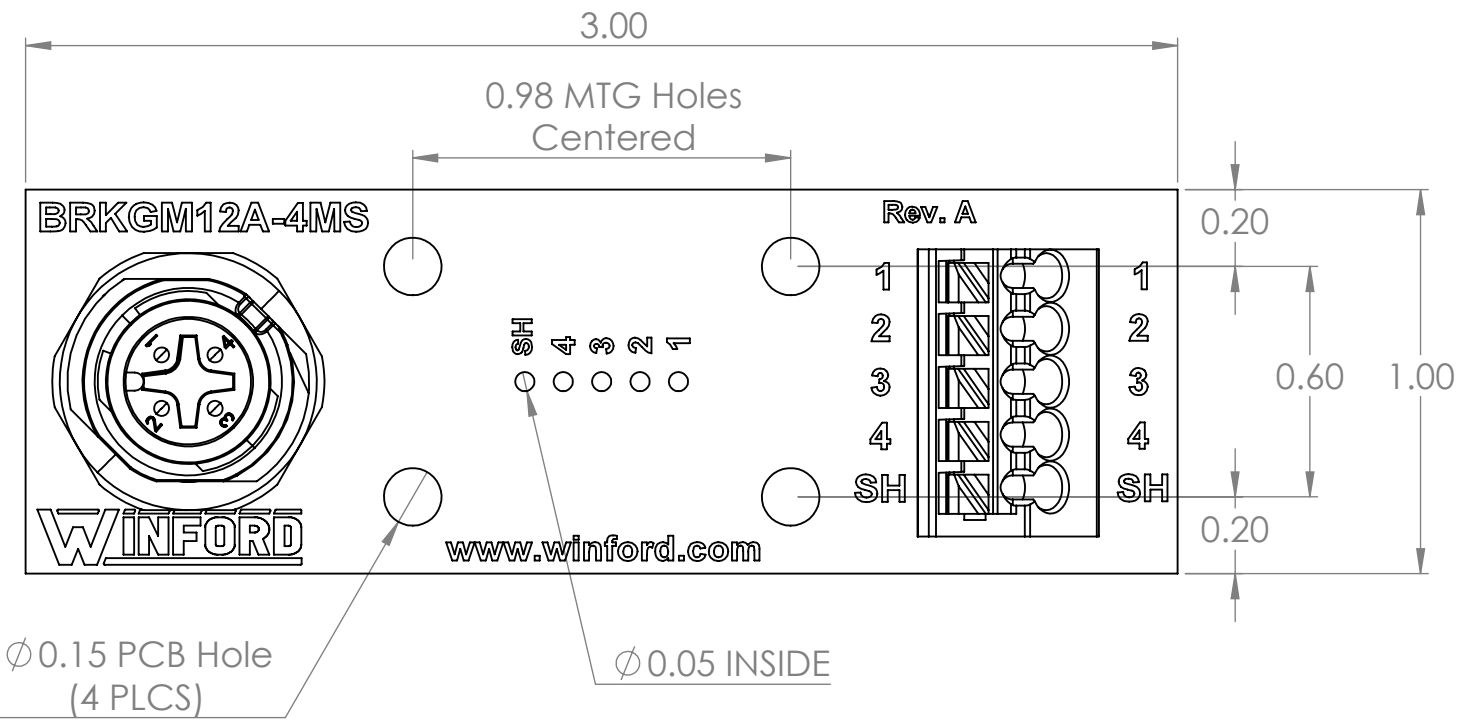
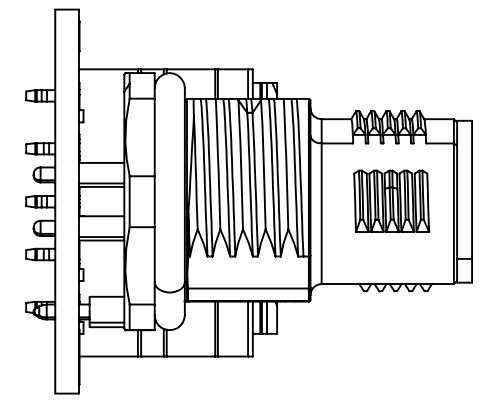


4

3

2

1



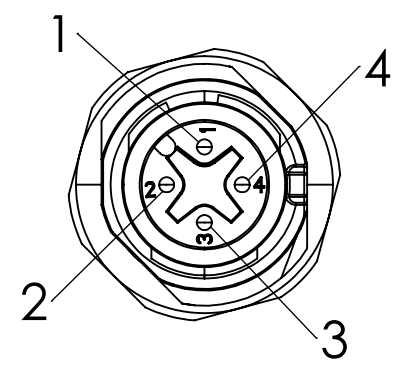
B

B

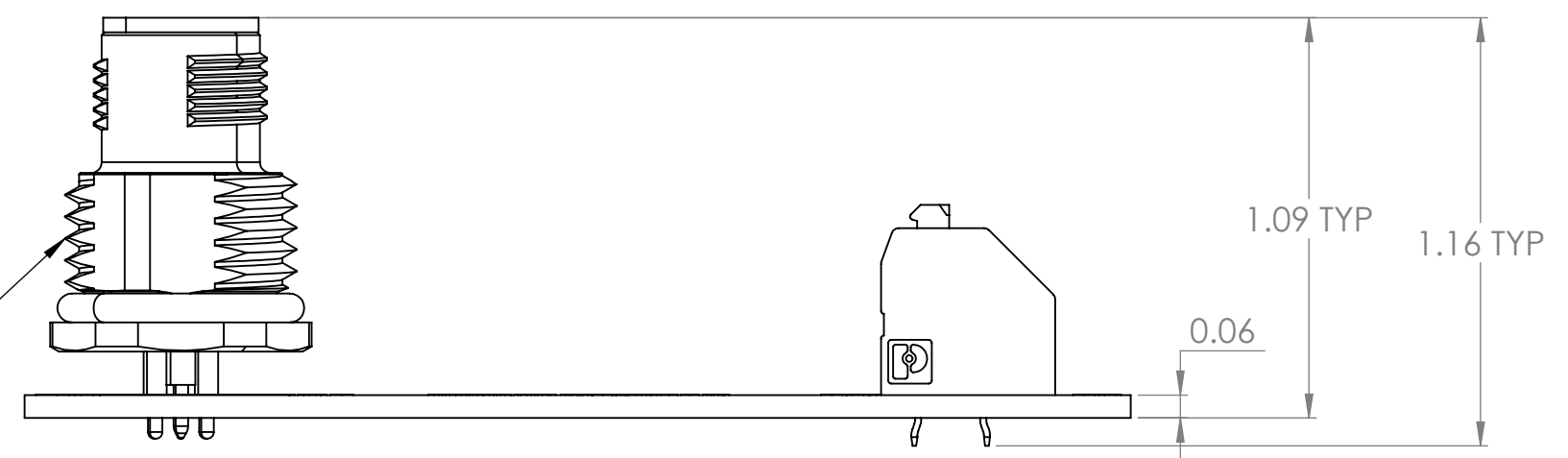
A


A

Connector Pinout (Male)



M16x1.5 Thread



DIM: INCH	DATE: 1/31/2022	RoHS COMPLIANT: Yes	DESCRIPTION: M12 4 Pin Male Breakout with Spring Terminals	
		WINFORD ENGINEERING, LLC 4561 GARFIELD ROAD AUBURN, MI 48611	PART NUMBER (S) BRKGM12A-4MS-N	PART REVISION A
www.winford.com		989-671-9721		

4

3

2

1