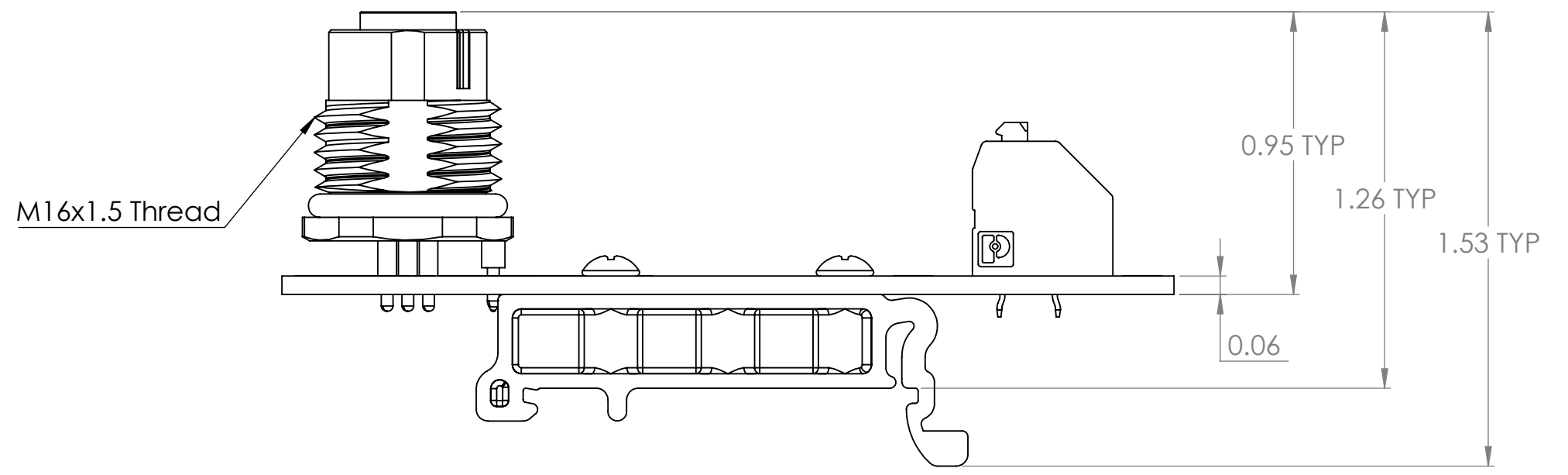
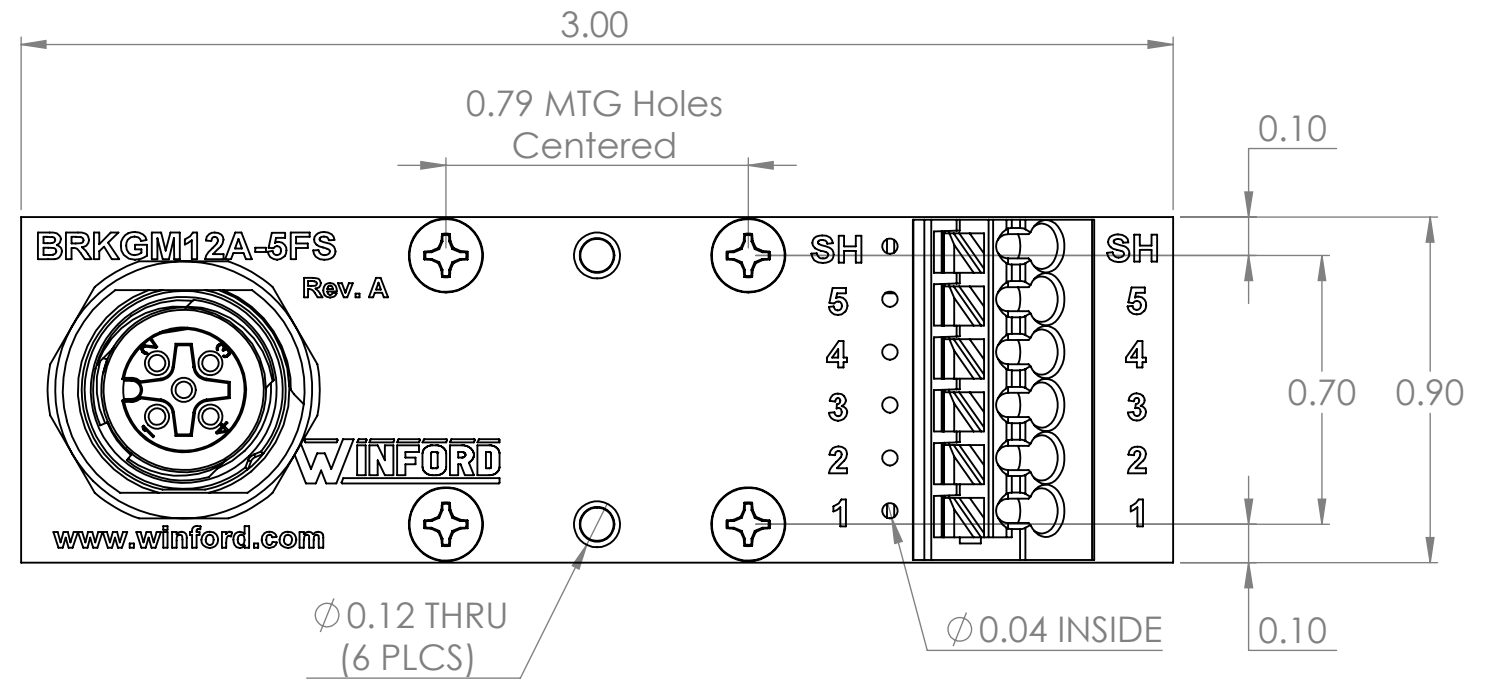
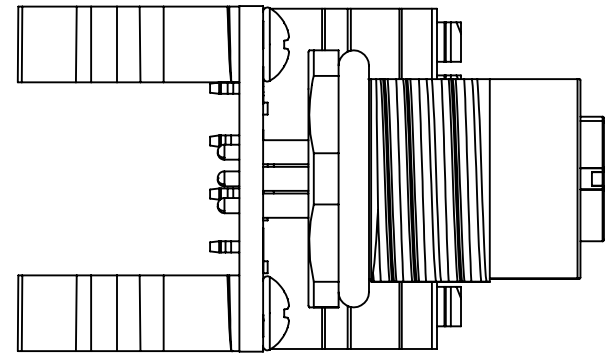


4

3

2

1



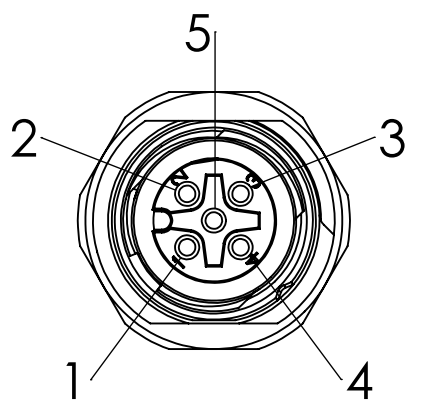
B

B

A

A

Connector Pinout  
(Female)




4

3

2

1

DIM: INCH	DATE: 06/24/2024	RoHS COMPLIANT: Yes	DESCRIPTION: M12 5-Pin Female Breakout with Spring Terminals
 WINFORD ENGINEERING, LLC 4561 GARFIELD ROAD AUBURN, MI 48611			PART NUMBER (S) <b>BRKGM12A-5FS-DIN</b>
www.winford.com		989-671-9721	PART REVISION <b>A</b>