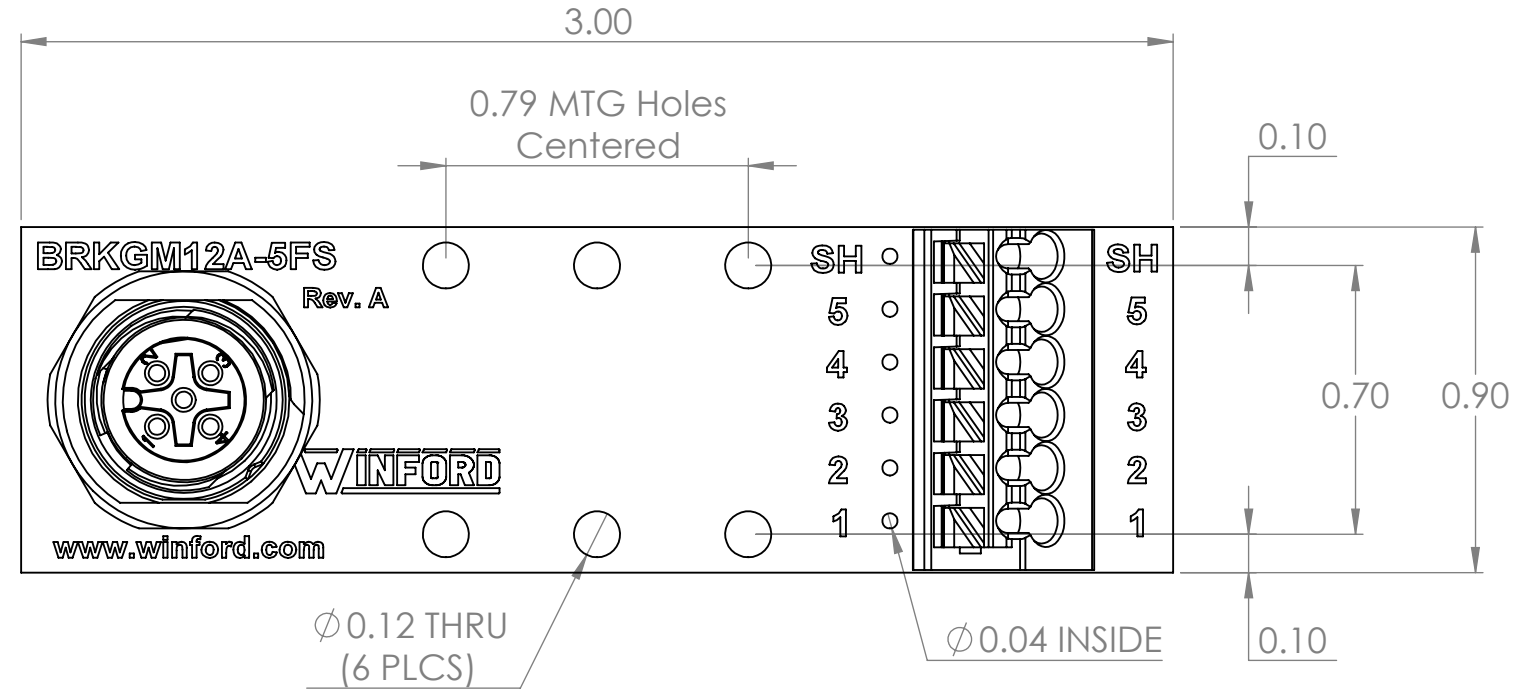
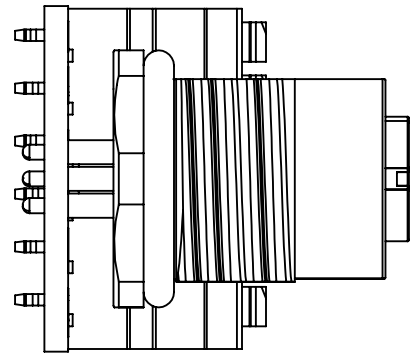


4

3

2

1

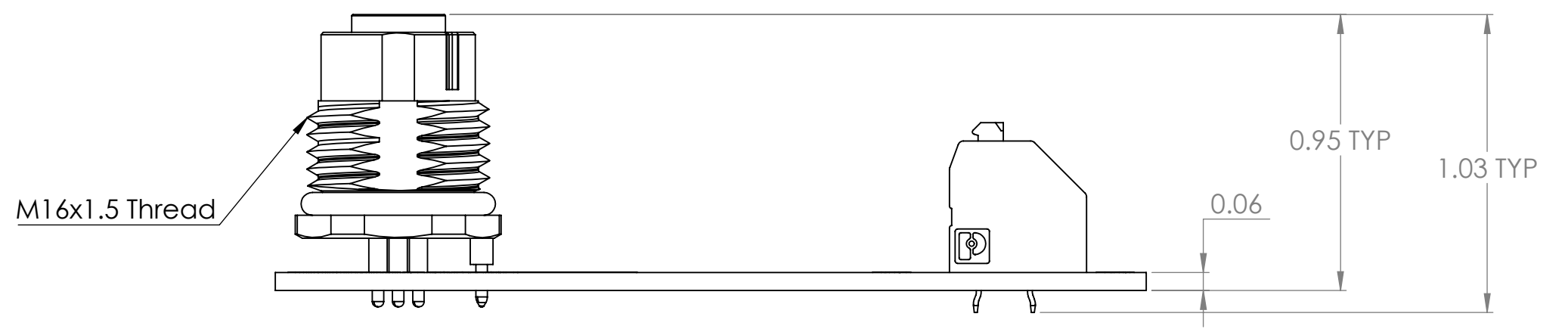


B

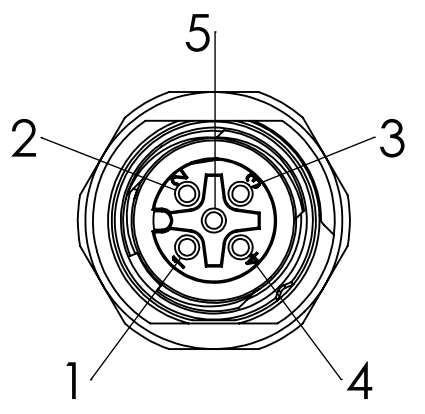
B

A

A



Connector Pinout (Female)




4

3

2

1

DIM: INCH	DATE: 06/24/2024	RoHS COMPLIANT: Yes	DESCRIPTION: M12 5-Pin Female Breakout with Spring Terminals
		WINFORD ENGINEERING, LLC 4561 GARFIELD ROAD AUBURN, MI 48611	PART NUMBER (S) <b>BRKGM12A-5FS-N</b>
www.winford.com		989-671-9721	PART REVISION <b>A</b>