

4

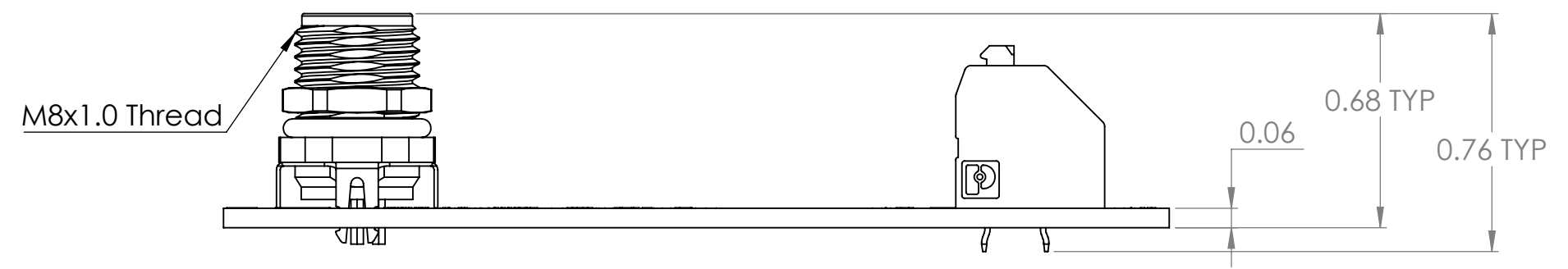
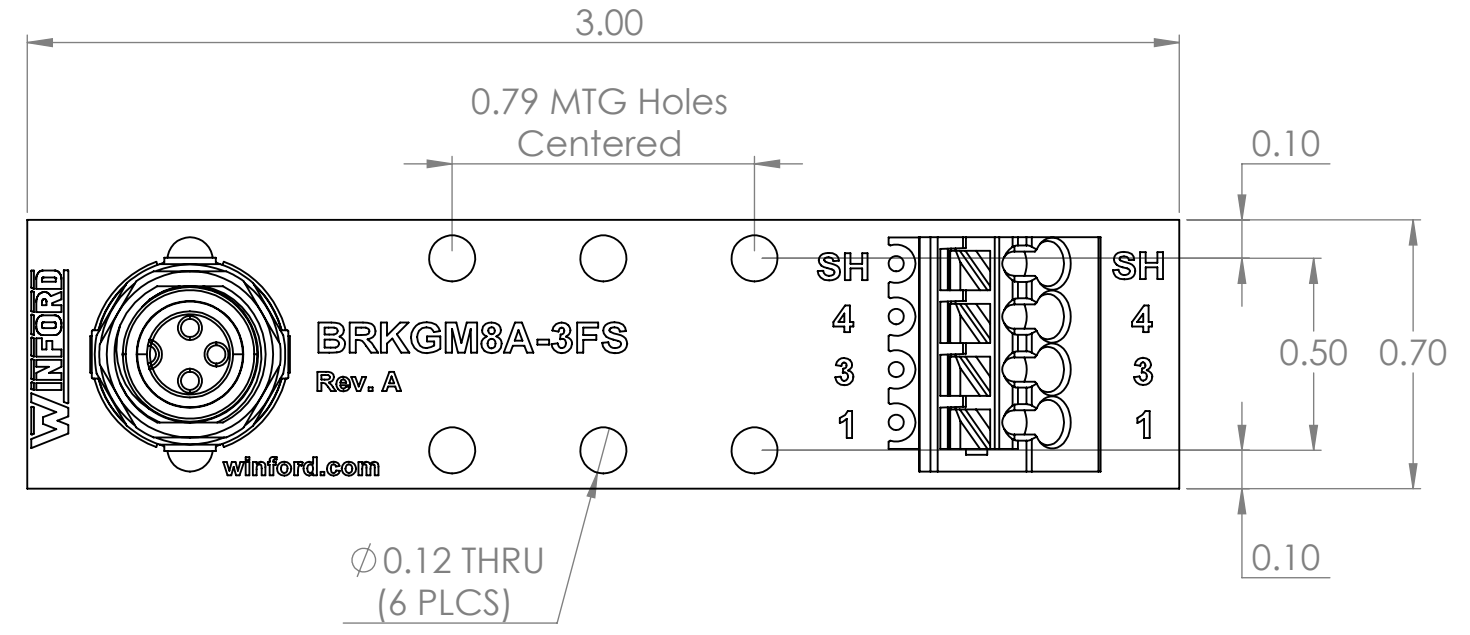
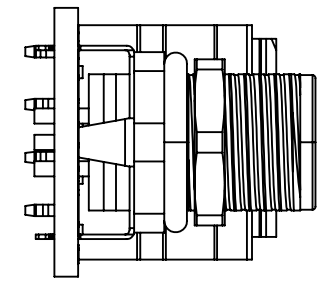
3

2

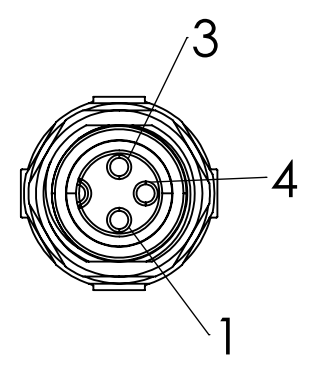
1

B

B



Connector Pinout
(Female)



4


3

2

1

A

A

DIM: INCH	DATE: 11/20/2024	RoHS COMPLIANT: Yes	DESCRIPTION: M8 3 Pin Female Breakout with Spring Terminals	
		WINFORD ENGINEERING, LLC 4561 GARFIELD ROAD AUBURN, MI 48611	PART NUMBER (S) BRKGM8A-3FS-N	PART REVISION A
www.winford.com		989-671-9721		