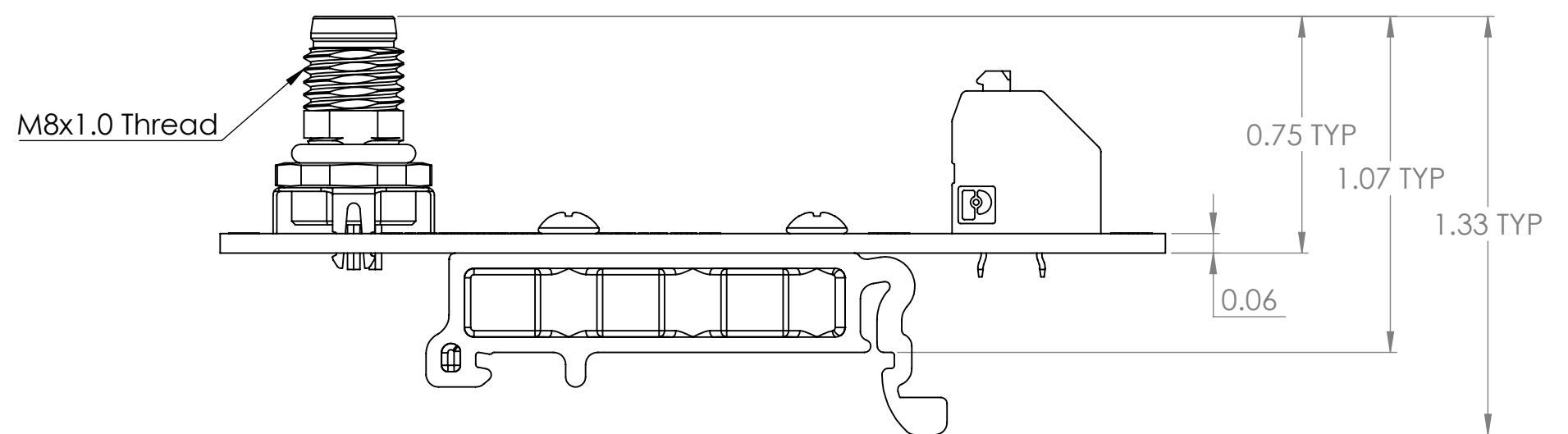
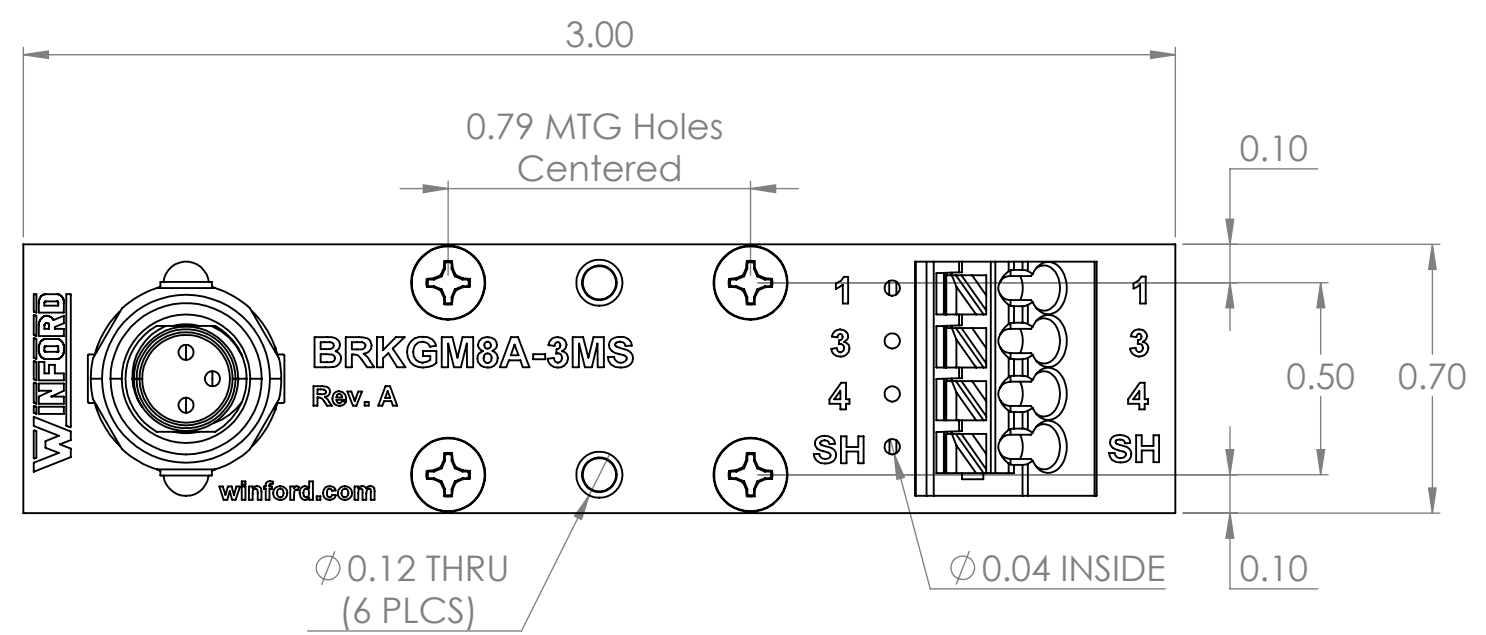
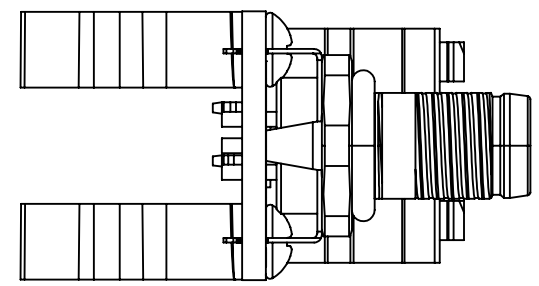


4

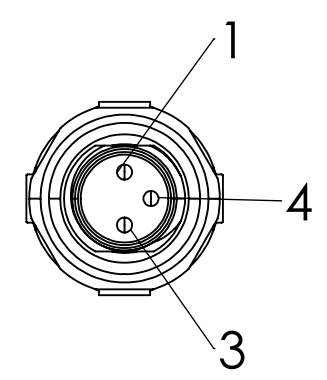
3

2

1



Connector Pinout  
(Male)



DIM: INCH	DATE: 07/03/2024	RoHS COMPLIANT: Yes	DESCRIPTION: M8 3 Pin Male Breakout with Spring Terminals
		WINFORD ENGINEERING, LLC 4561 GARFIELD ROAD AUBURN, MI 48611	PART NUMBER (S) <b>BRKGM8A-3MS-DIN</b>
www.winford.com		989-671-9721	PART REVISION <b>A</b>

4

3

2

1

B

B

A

A