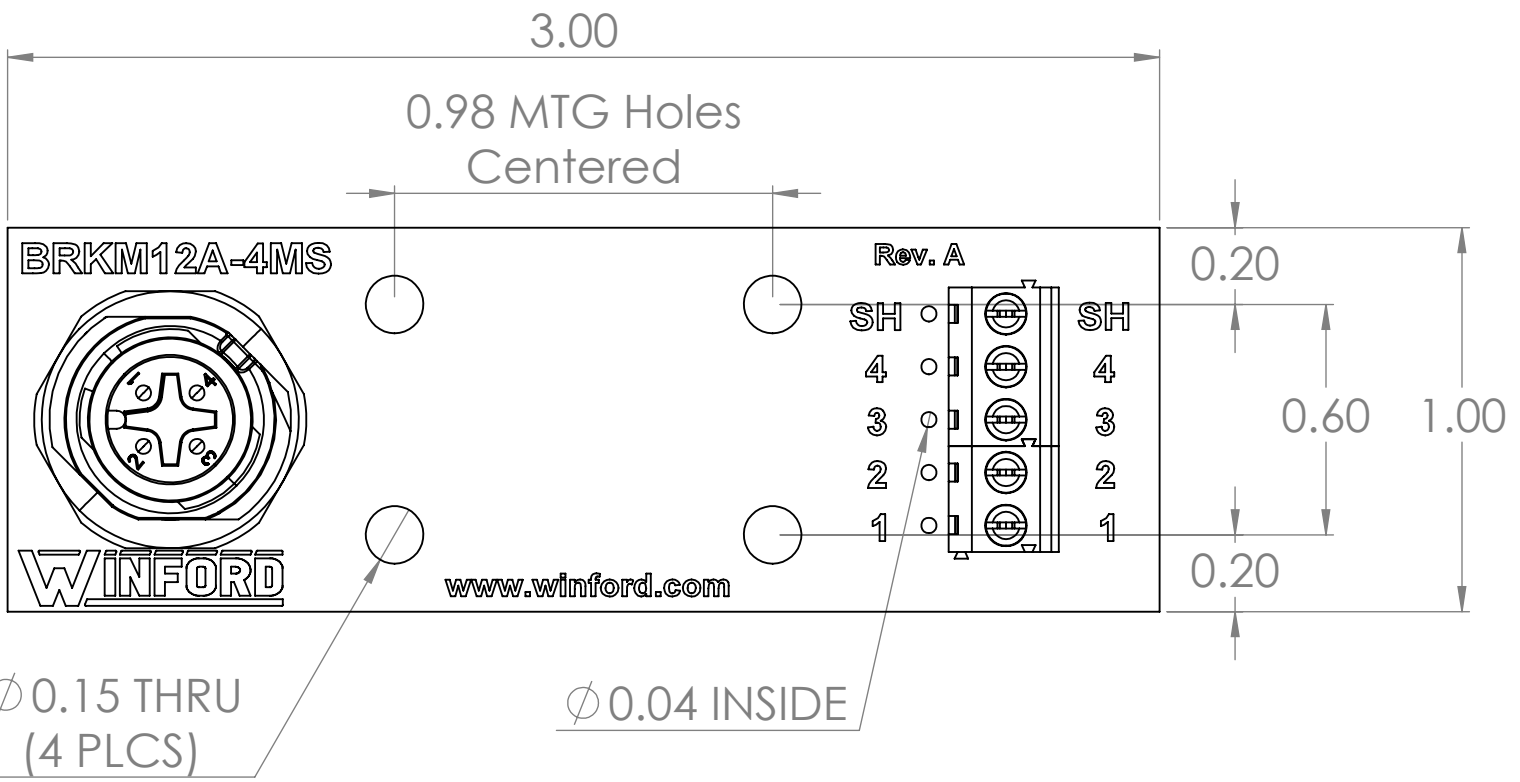
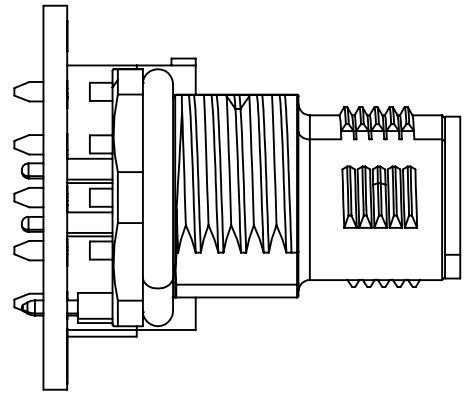


4

3

2

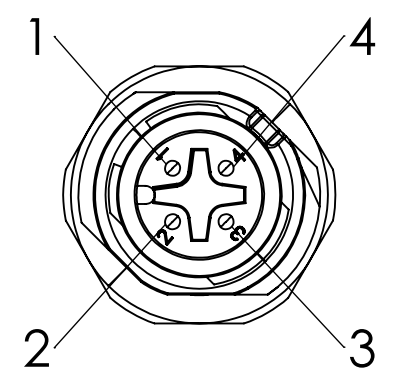
1



B

B

Connector Pinout  
(Male)



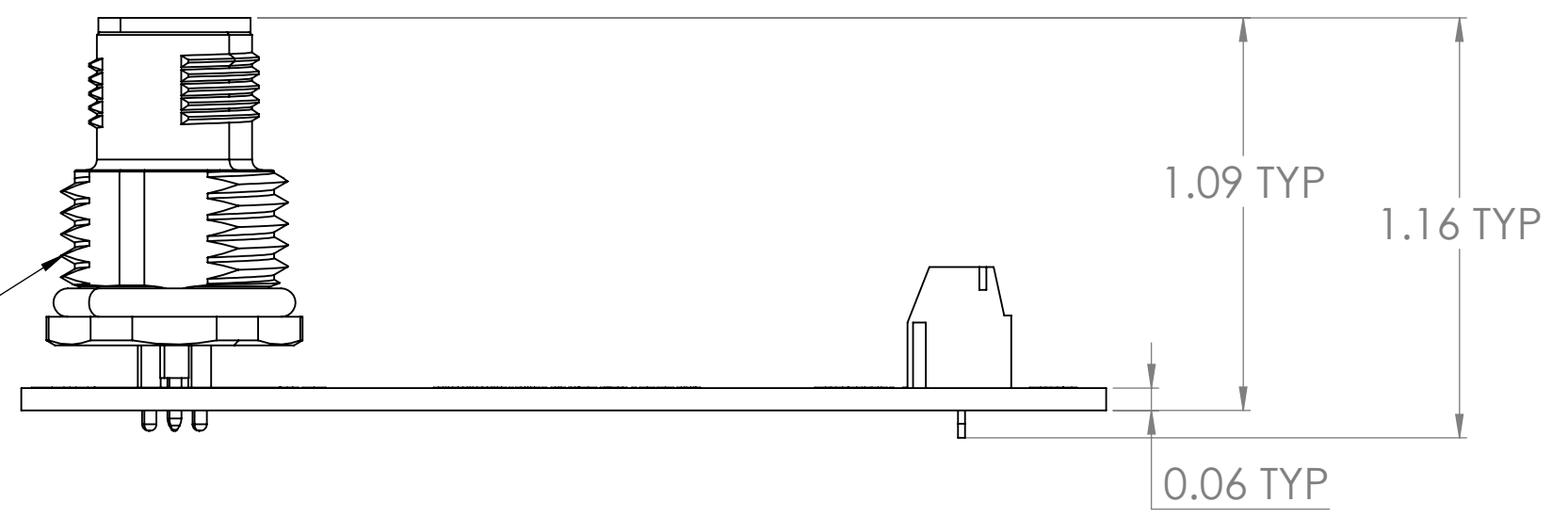
4

3

2


1

M16x1.5 Thread



A

A

DIM: INCH	DATE: 01/11/2023	RoHS COMPLIANT: Yes	DESCRIPTION:
 WINFORD ENGINEERING, LLC 4561 GARFIELD ROAD AUBURN, MI 48611			M12, 4 Pin Male Breakout Board
www.winford.com		989-671-9721	PART NUMBER (S) <b>BRKM12A-4MS-N</b>
			PART REVISION <b>A</b>