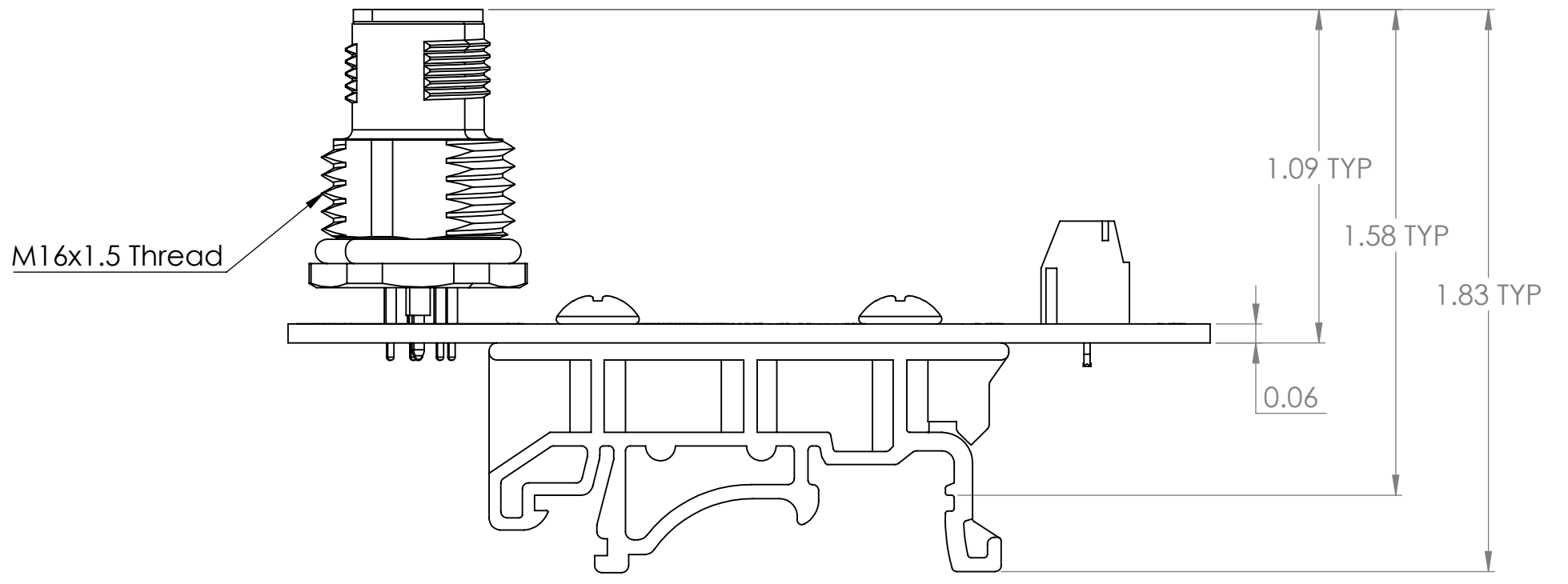
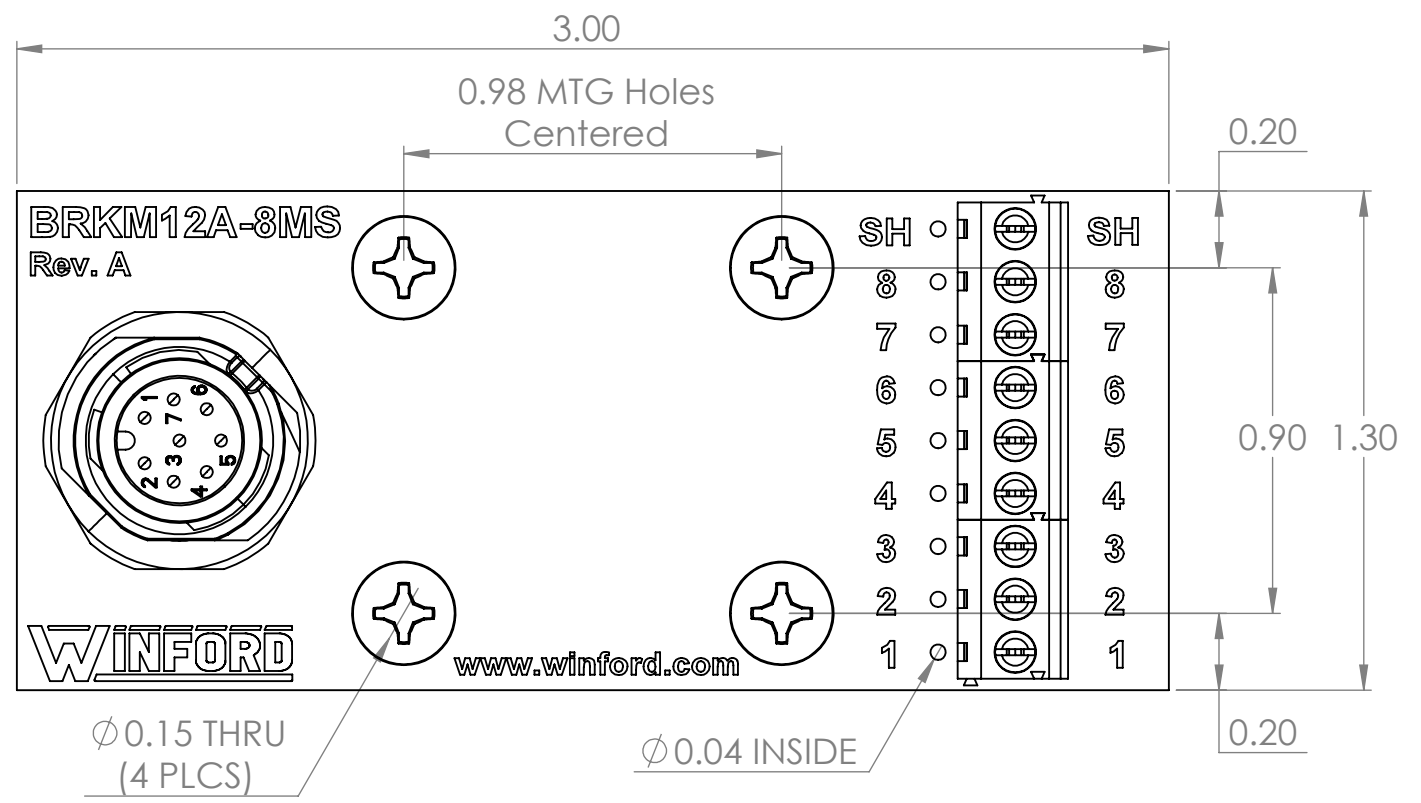
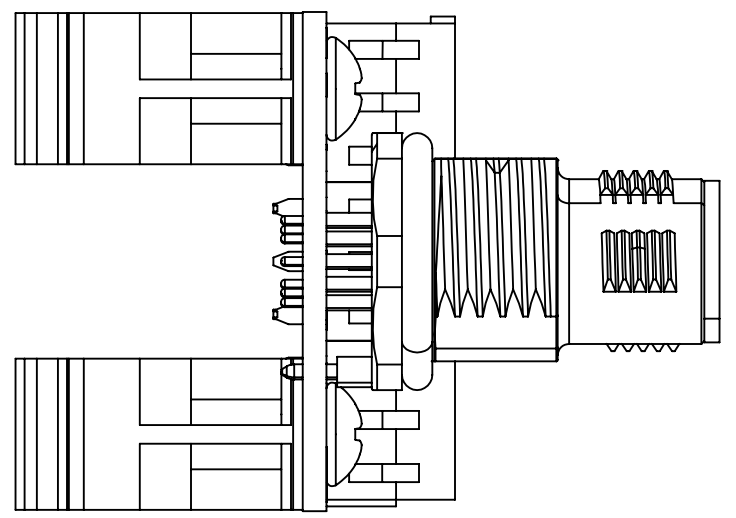


4

3

2

1



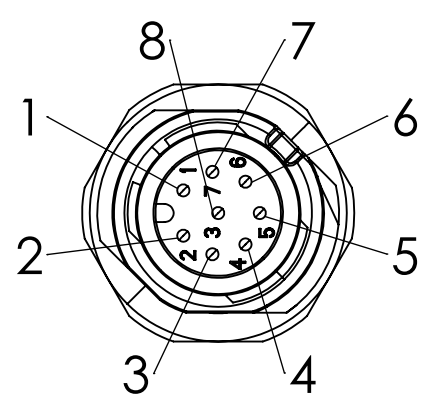
B

B

A

A

Connector Pinout (Male)




4

3

2

1

DIM: INCH	DATE: 01/24/2023	RoHS COMPLIANT: Yes	DESCRIPTION: M12 8 Pin Male Breakout Board	
		WINFORD ENGINEERING, LLC 4561 GARFIELD ROAD AUBURN, MI 48611	PART NUMBER (S) BRKM12A-8MS-DIN	PART REVISION A
www.winford.com		989-671-9721		