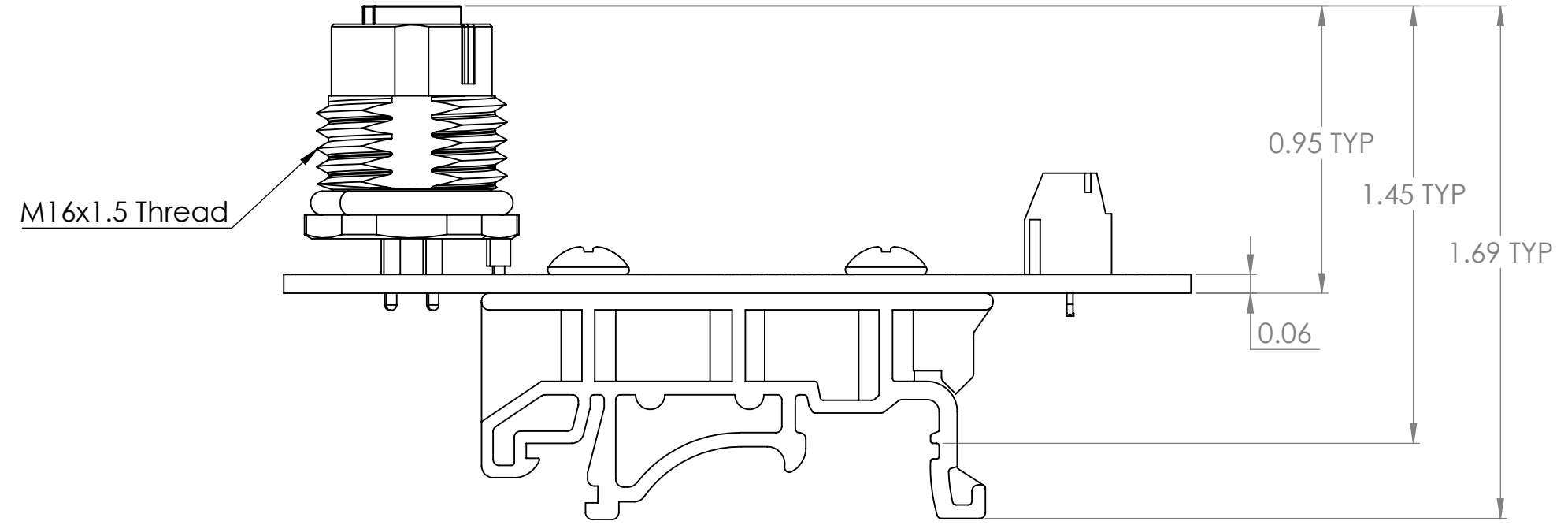
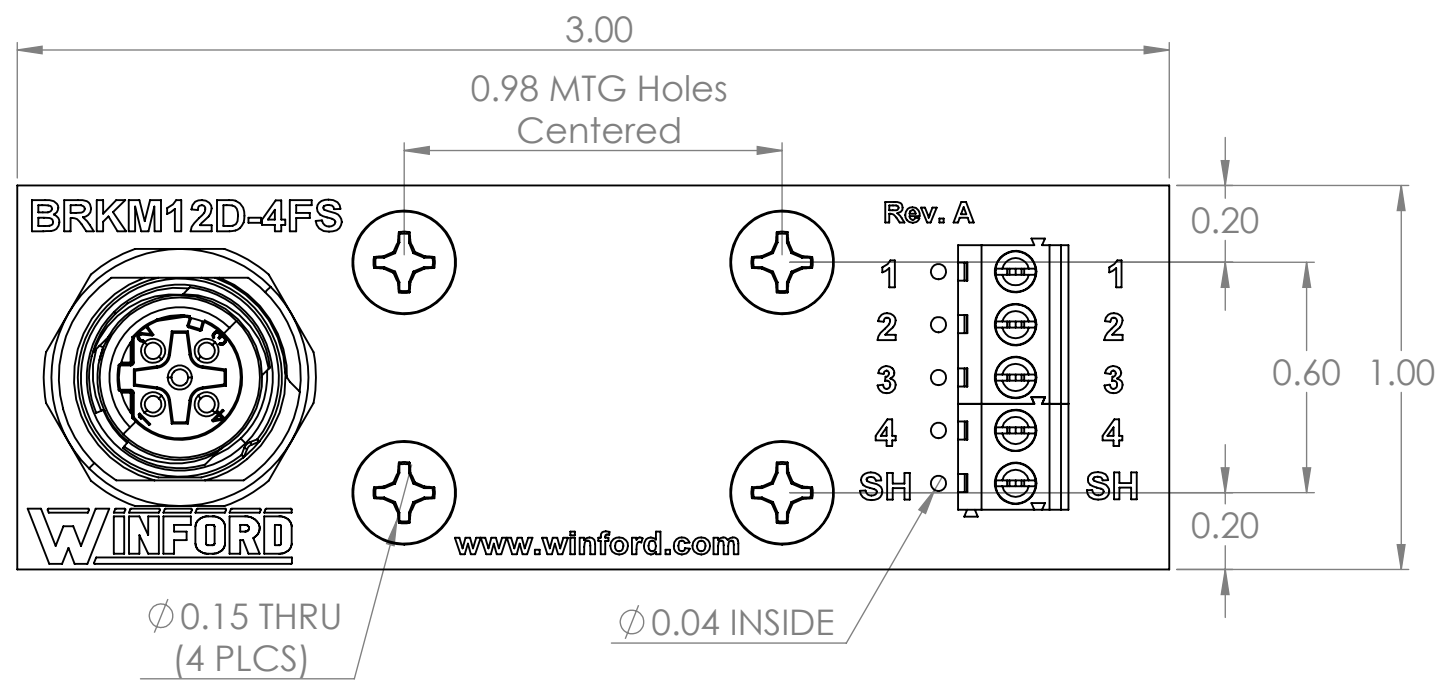
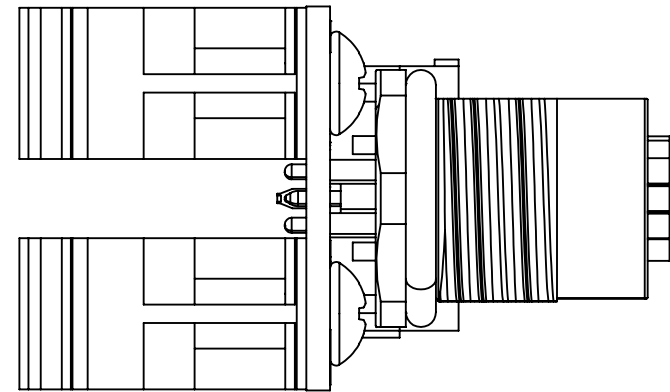


4

3

2

1



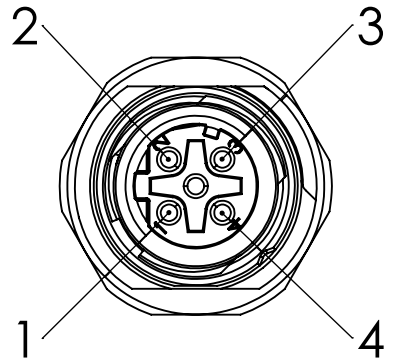
B

B

A

A

Connector Pinout (Female)




4

3

2

1

DIM: INCH	DATE: 01/30/2023	RoHS COMPLIANT: Yes	DESCRIPTION:
 WINFORD ENGINEERING, LLC 4561 GARFIELD ROAD AUBURN, MI 48611			M12 4 Pin Female Breakout Board
www.winford.com		989-671-9721	PART NUMBER (S)
			BRKM12D-4FS-DIN
			PART REVISION
			A