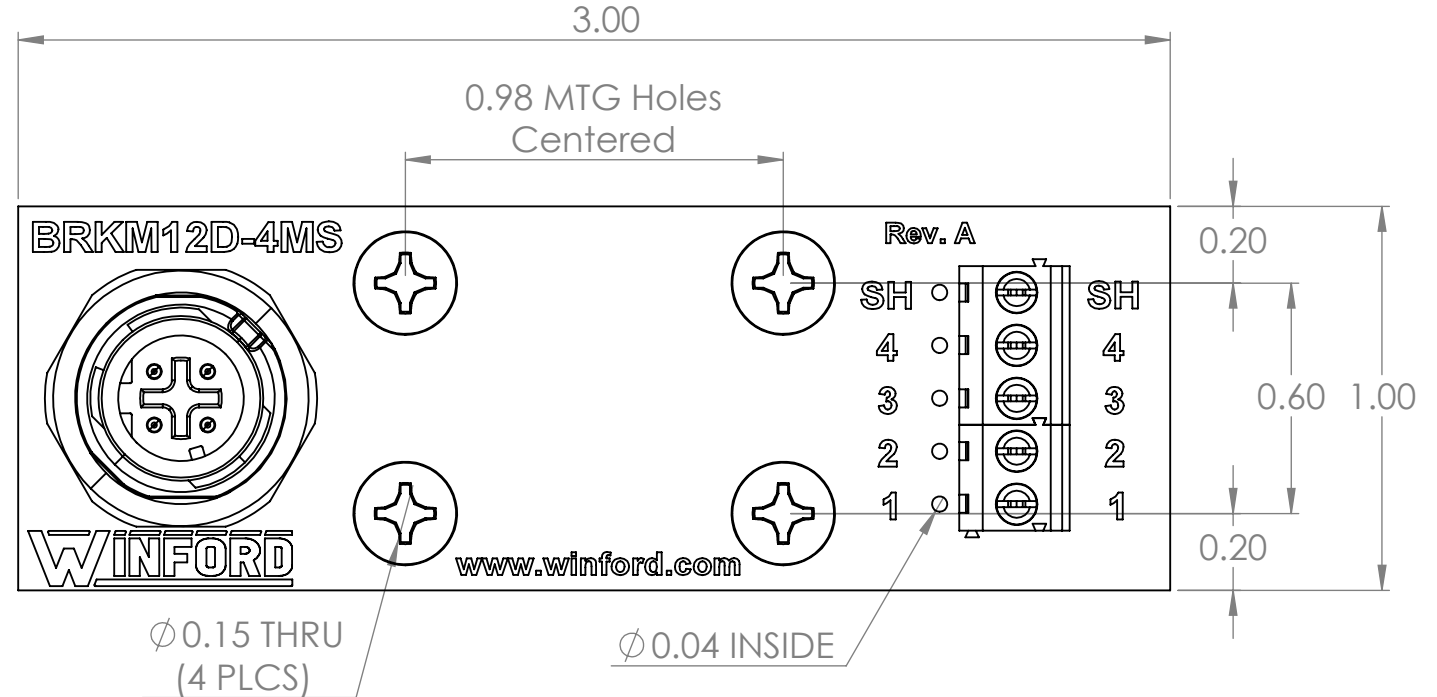
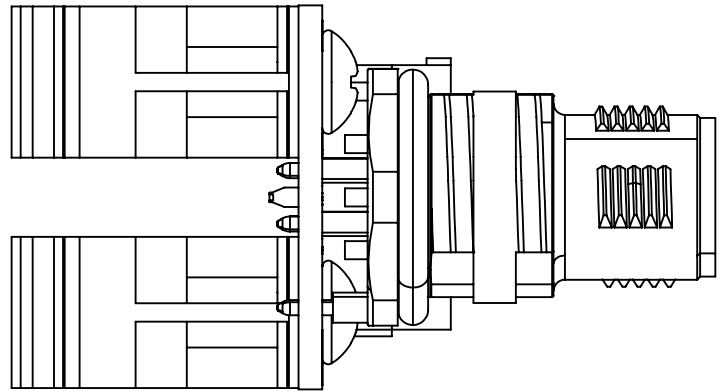


4

3

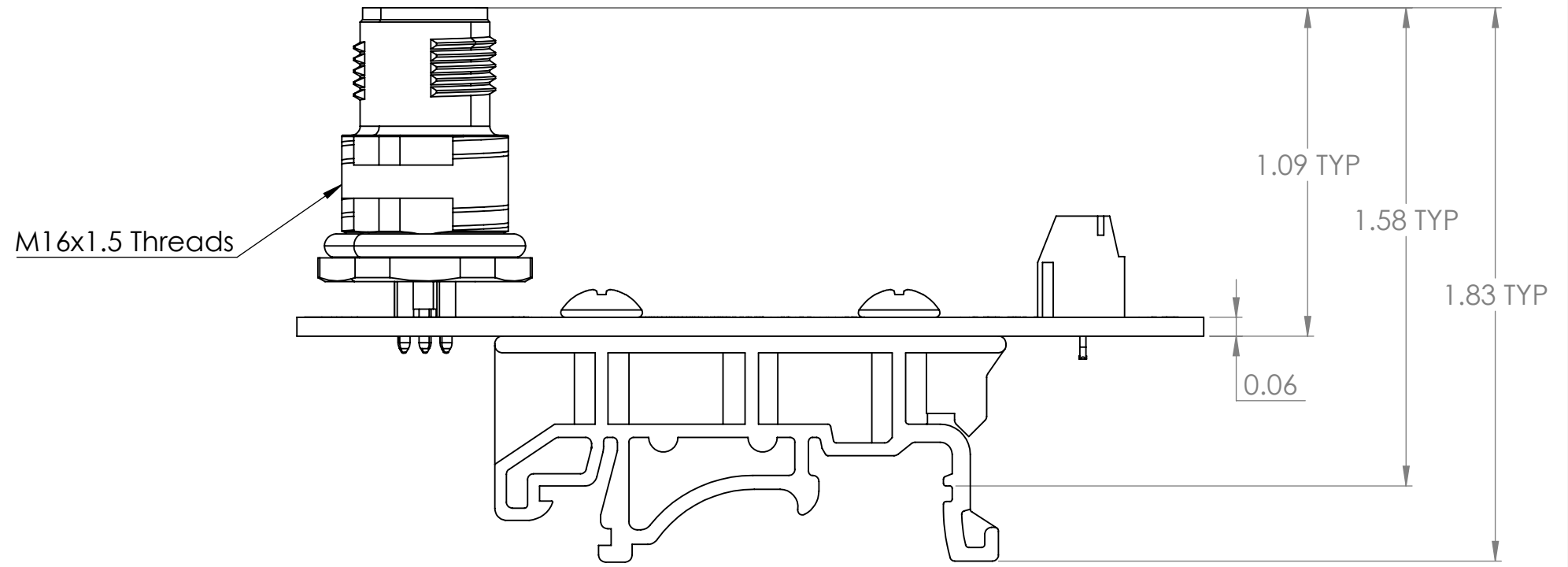
2

1

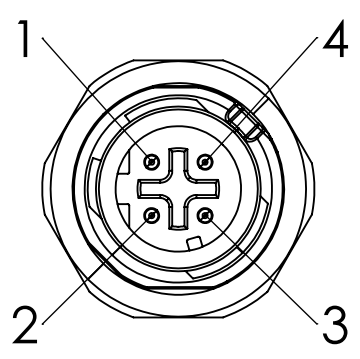


B

B




Connector Pinout
(Male)



A

A

DIM: INCH	DATE: 1/31/2023	RoHS COMPLIANT: Yes	DESCRIPTION: M12 4 Pin Male Breakout Board	
		WINFORD ENGINEERING, LLC 4561 GARFIELD ROAD AUBURN, MI 48611	PART NUMBER (S) BRKM12D-4MS-DIN	PART REVISION A
www.winford.com		989-671-9721		

4

3

2

1