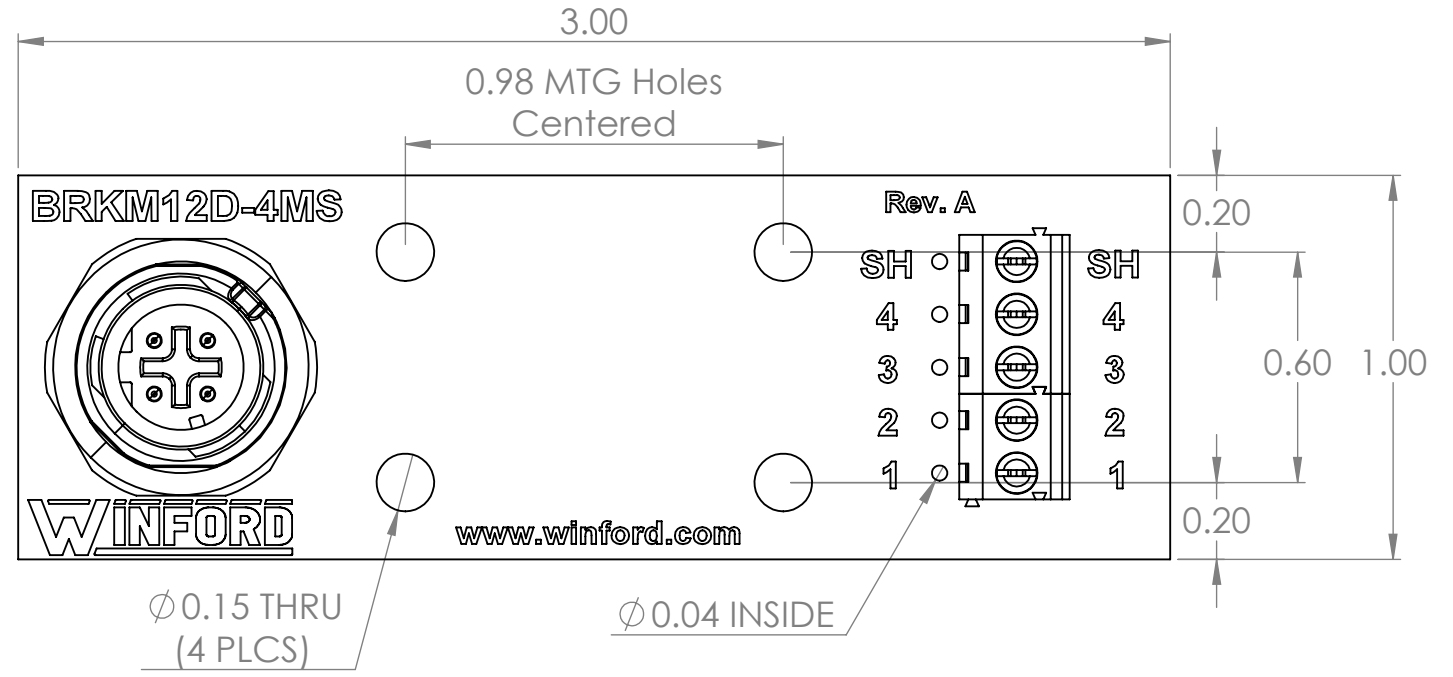
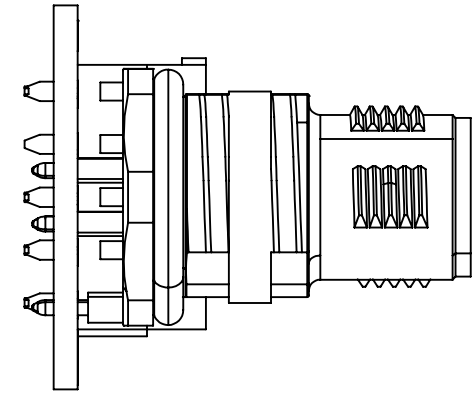


4

3

2

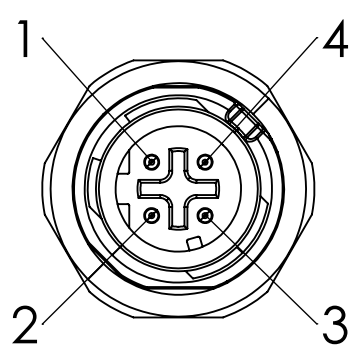
1



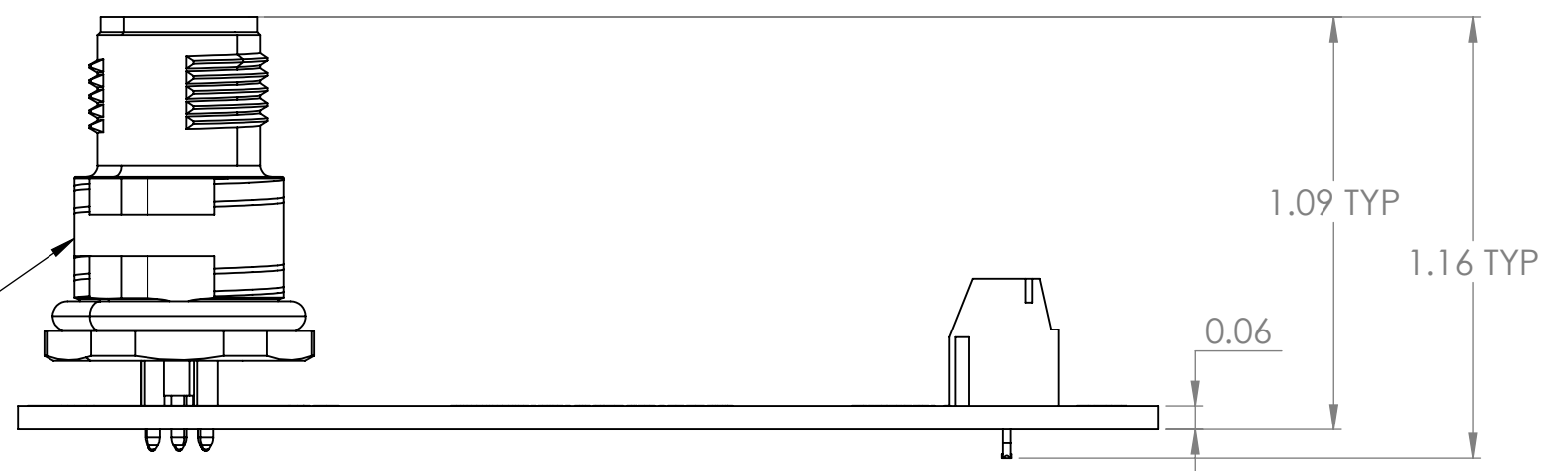
B

B

Connector Pinout
(Male)




M16x1.5 Threads



A

A

DIM: INCH	DATE: 1/31/2023	RoHS COMPLIANT: Yes	DESCRIPTION:
 WINFORD ENGINEERING, LLC 4561 GARFIELD ROAD AUBURN, MI 48611			M12 4 Pin Male Breakout Board
www.winford.com		989-671-9721	PART NUMBER (S) BRKM12D-4MS-N
			PART REVISION A

4

3

2

1