

4

3

2

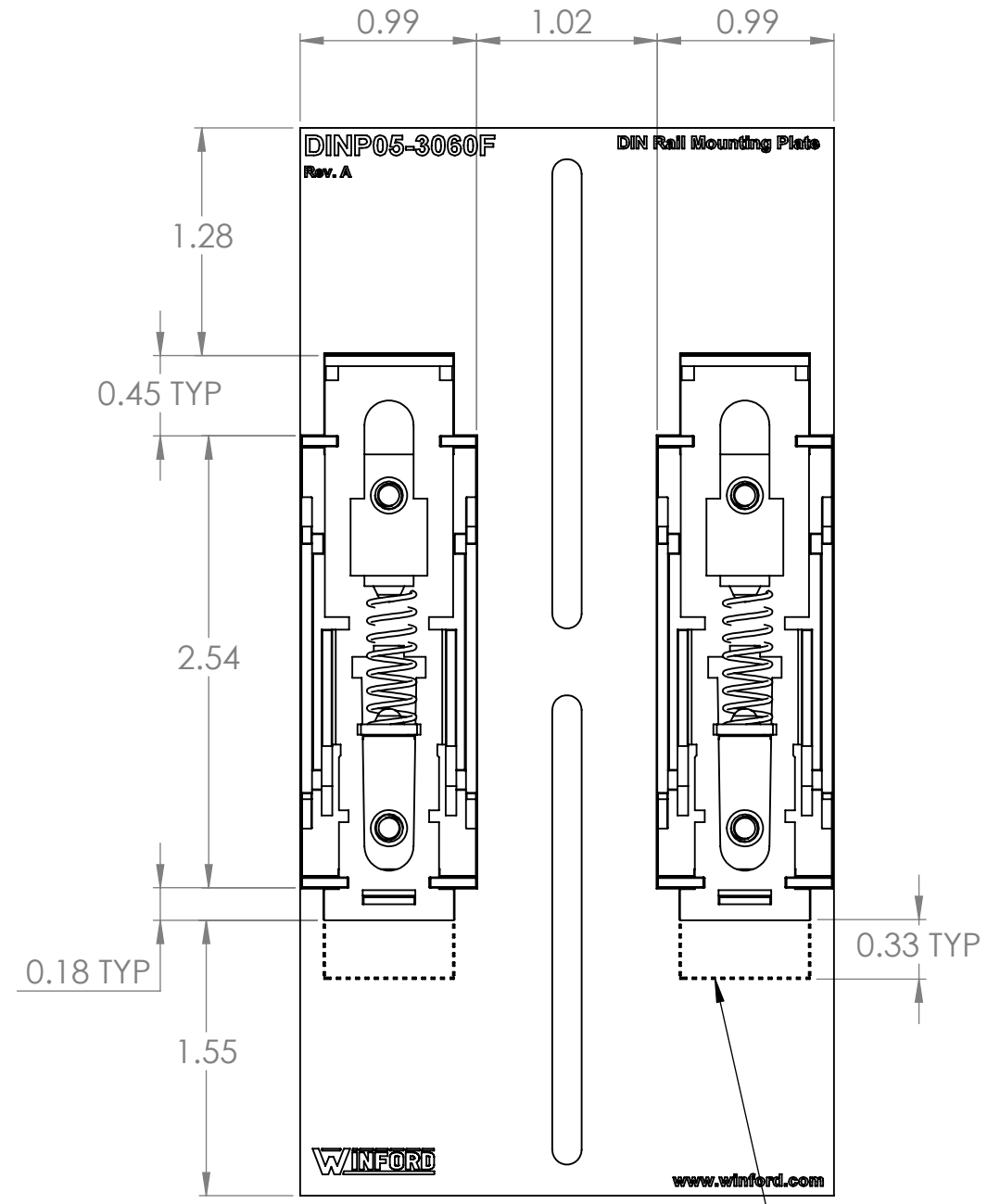
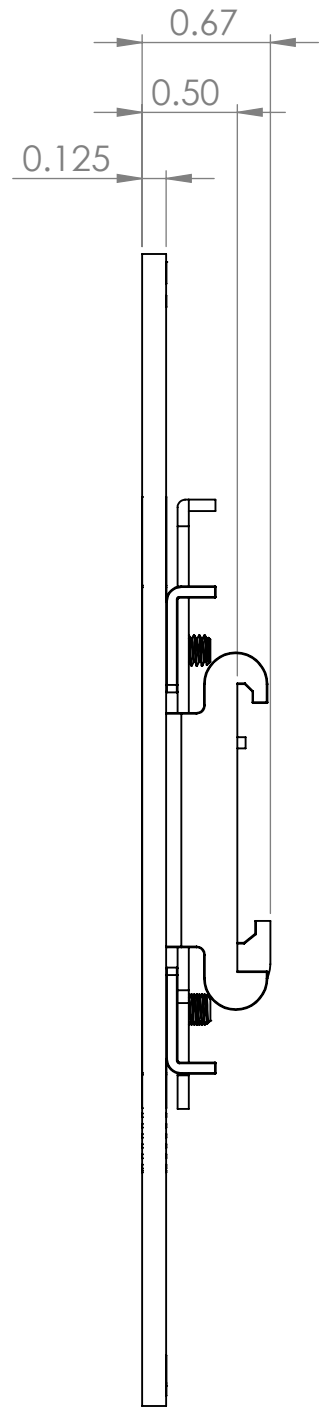
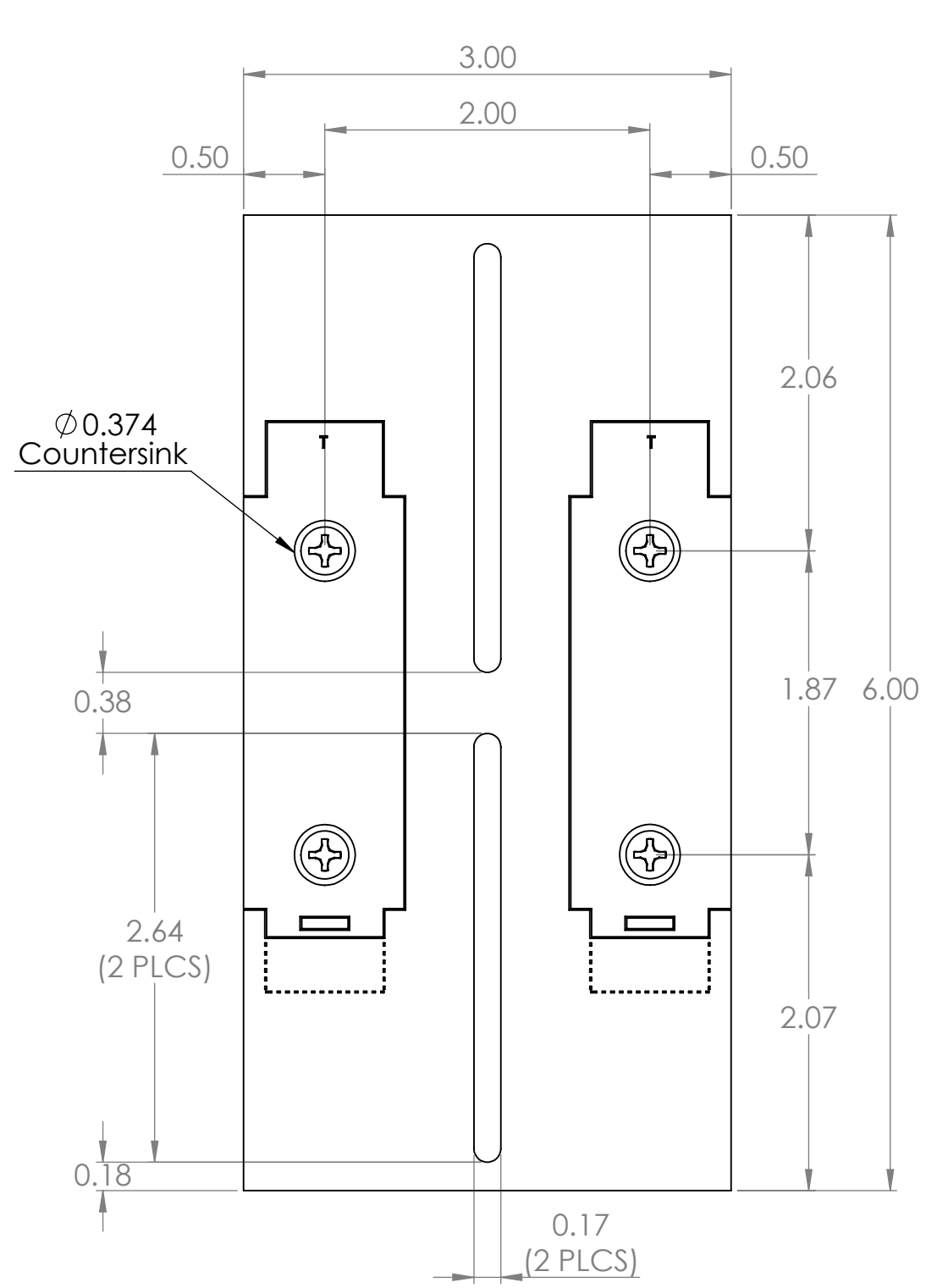
1

B


B

A

A



Release Slide Travel Extent

DIM: INCH	DATE: 12/09/2022	RoHS COMPLIANT: Yes	DESCRIPTION:
 WINFORD ENGINEERING, LLC 4561 GARFIELD ROAD AUBURN, MI 48611			DIN Rail Mounting Plate 3"x 6" with Mounting Slots
www.winford.com		989-671-9721	PART NUMBER (S)
			DINP05-3060F
			PART REVISION
			A

4

3

2

1