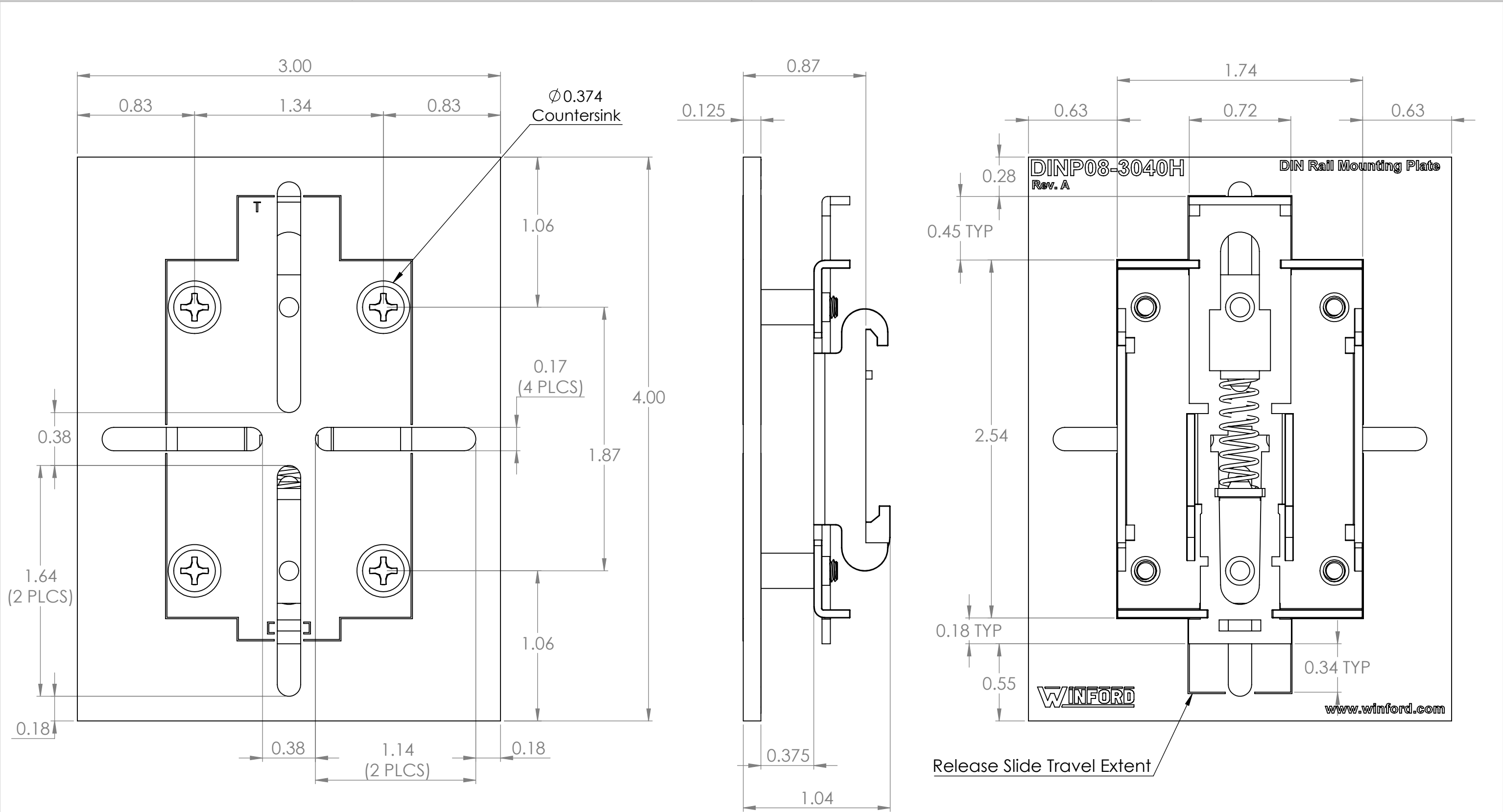


4

3

2

1




B

B

A

A

DIM: INCH	DATE: 12/12/2022	RoHS COMPLIANT: Yes	DESCRIPTION:
 WINFORD ENGINEERING, LLC 4561 GARFIELD ROAD AUBURN, MI 48611			DIN Rail Mounting Plate with Standoffs and Mounting Slots
www.winford.com			PART NUMBER (S)
989-671-9721			DINP08-3040H
			PART REVISION
			A

4

3

2

1