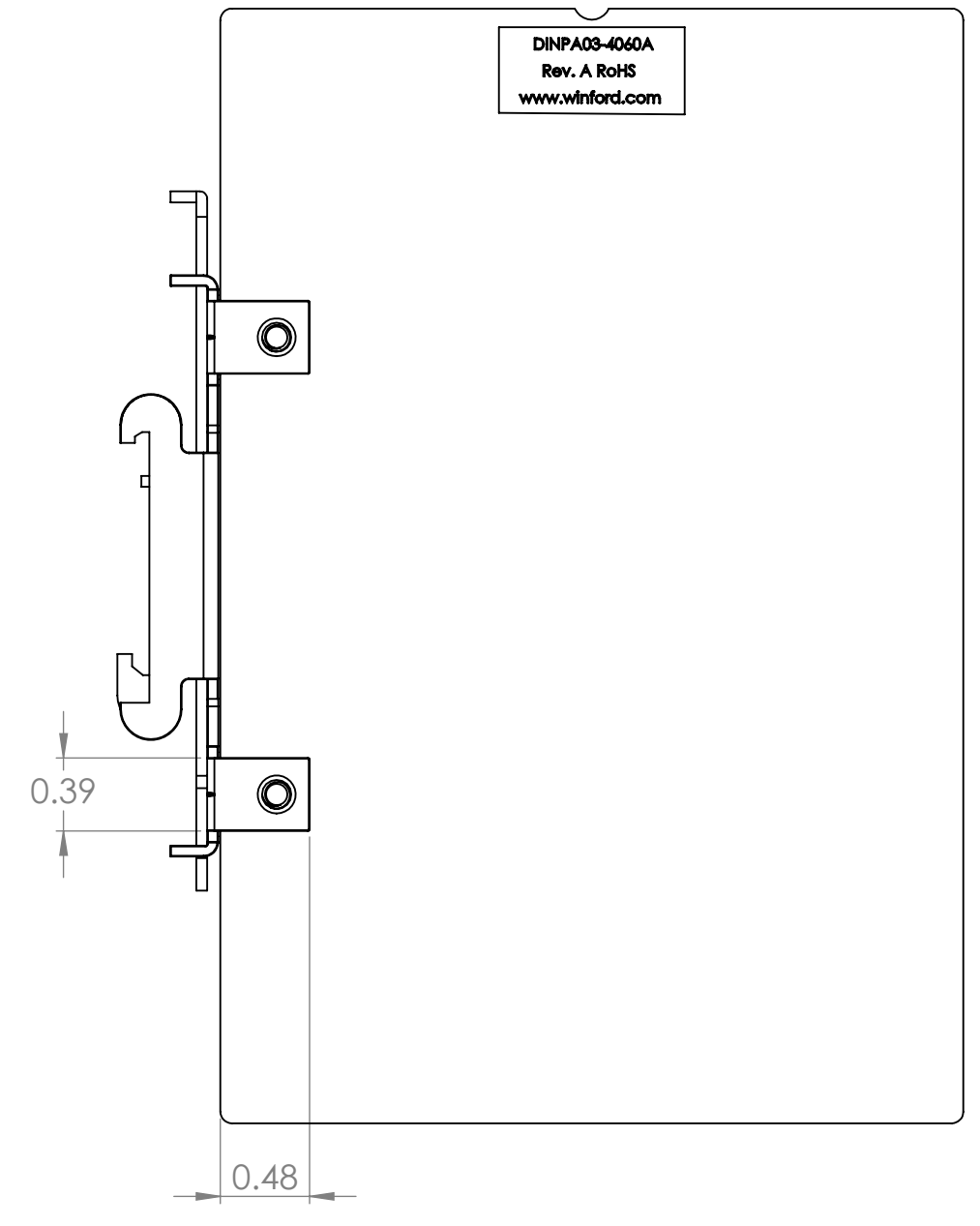
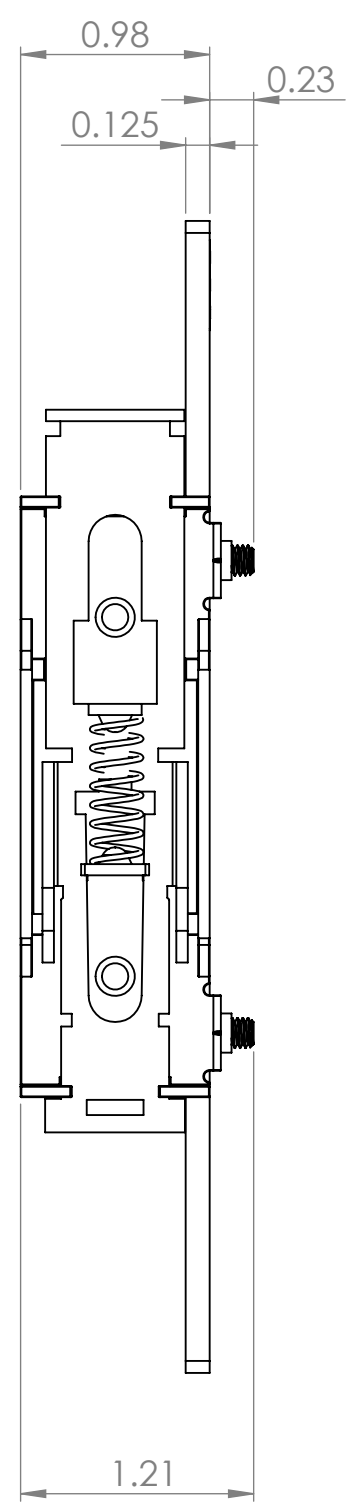
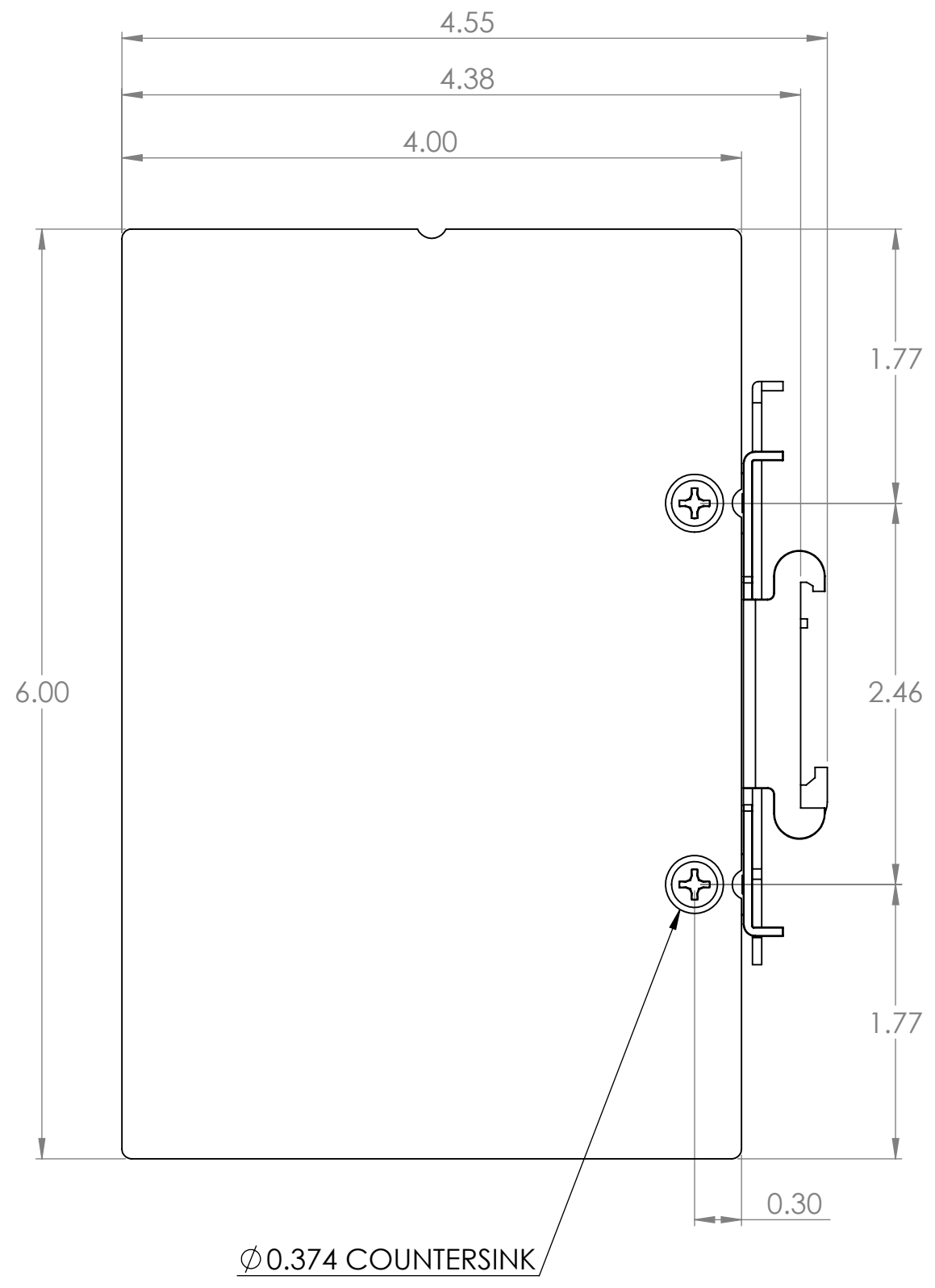



4

3

2

1



DIM: INCH	DATE: 07/25/2024	RoHS COMPLIANT: Yes	DESCRIPTION: Aluminum DIN Mounting Plate 4" x 6"	
 WINFORD ENGINEERING, LLC 4561 GARFIELD ROAD AUBURN, MI 48611		PART NUMBER (S) DINPA03-4060A		PART REVISION A
www.winford.com		989-671-9721		

4

3

2

1