

4

3

2

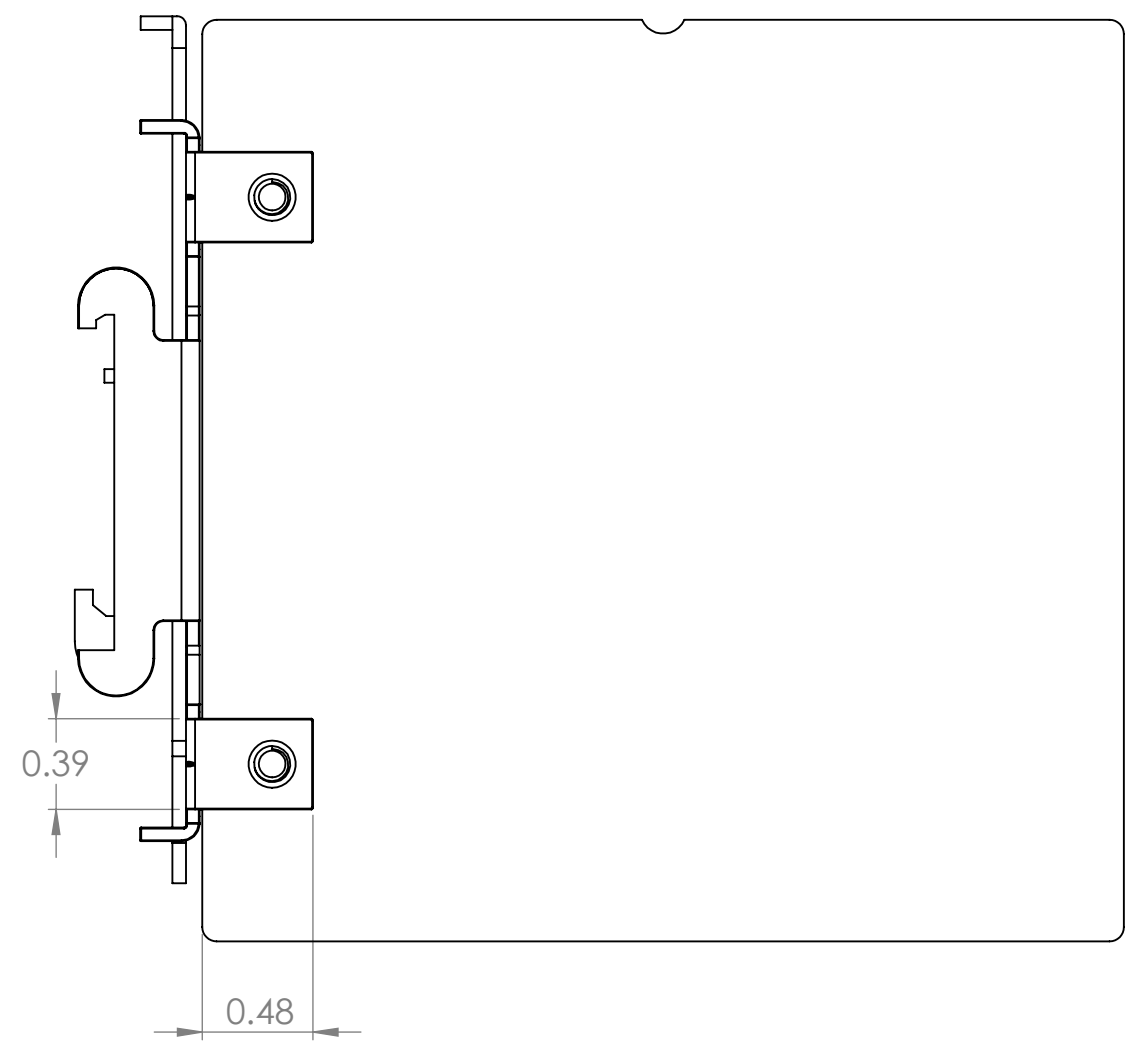
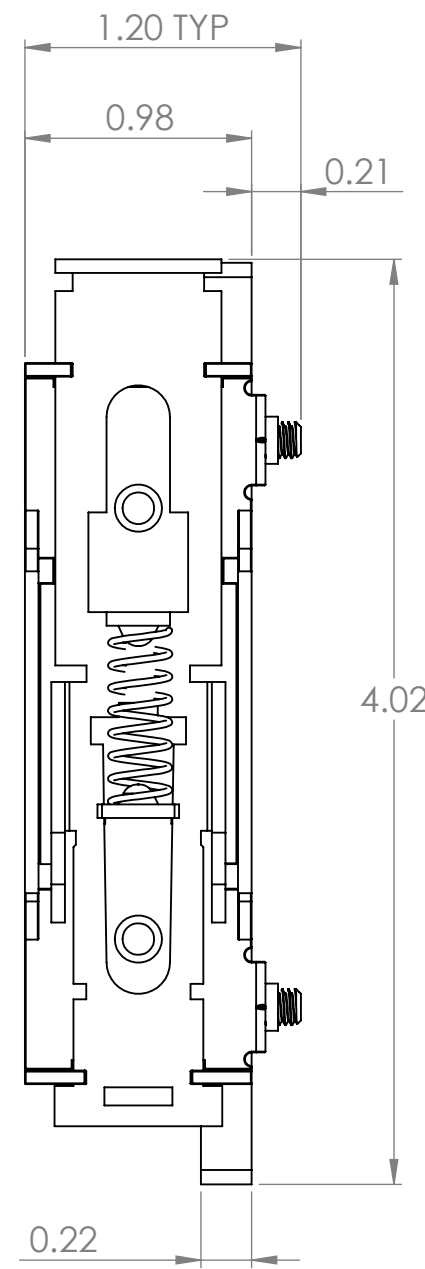
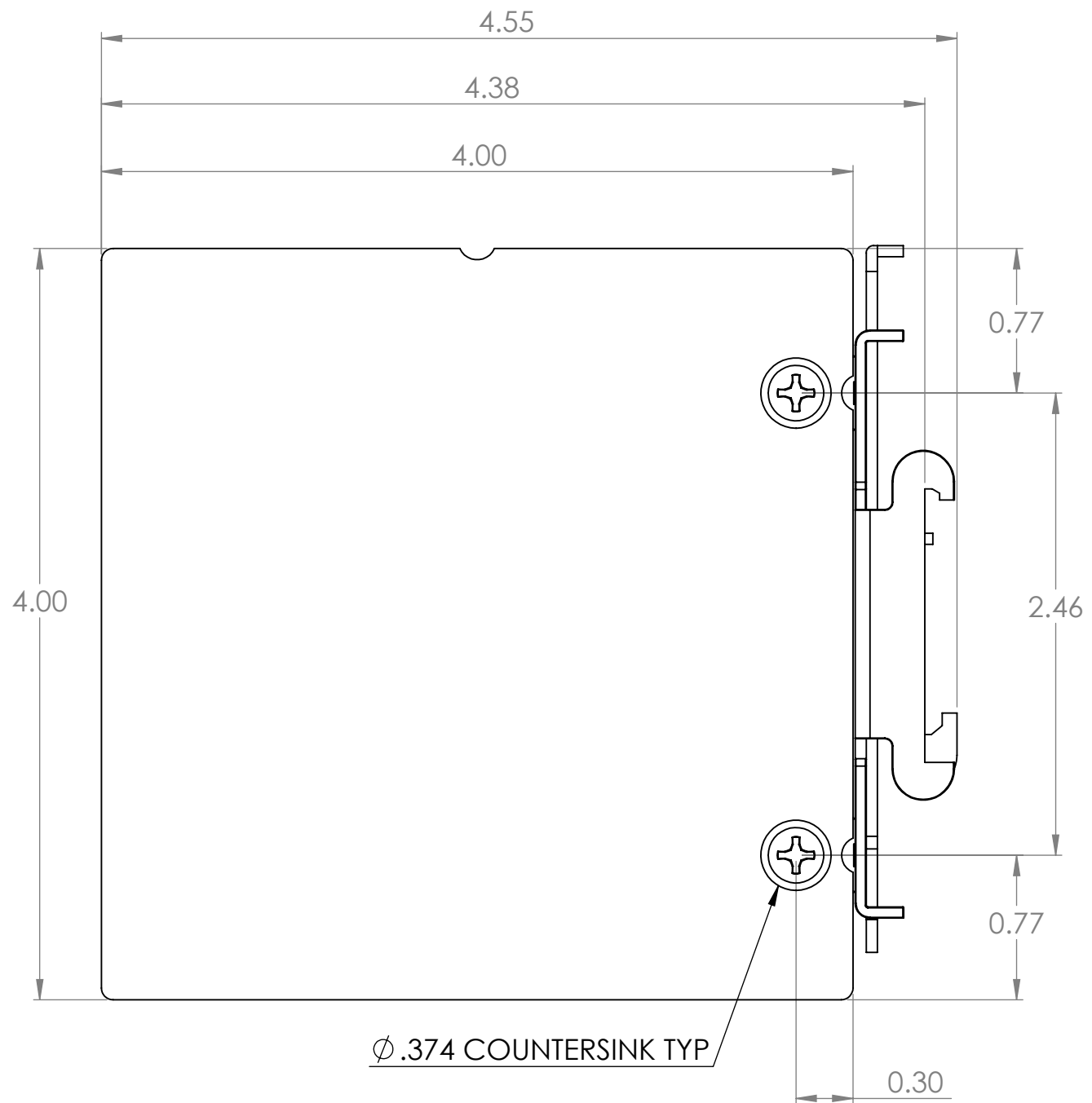
1


B

B

A

A



DIM: INCH	DATE: 07/28/2023	RoHS COMPLIANT: Yes	DESCRIPTION: Polycarbonate DIN Mounting Plate 4"x4"	
 WINFORD ENGINEERING, LLC 4561 GARFIELD ROAD AUBURN, MI 48611		PART NUMBER (S)	PART REVISION	
www.winford.com		989-671-9721	DINPP03-4040A	A

4

3

2

1