

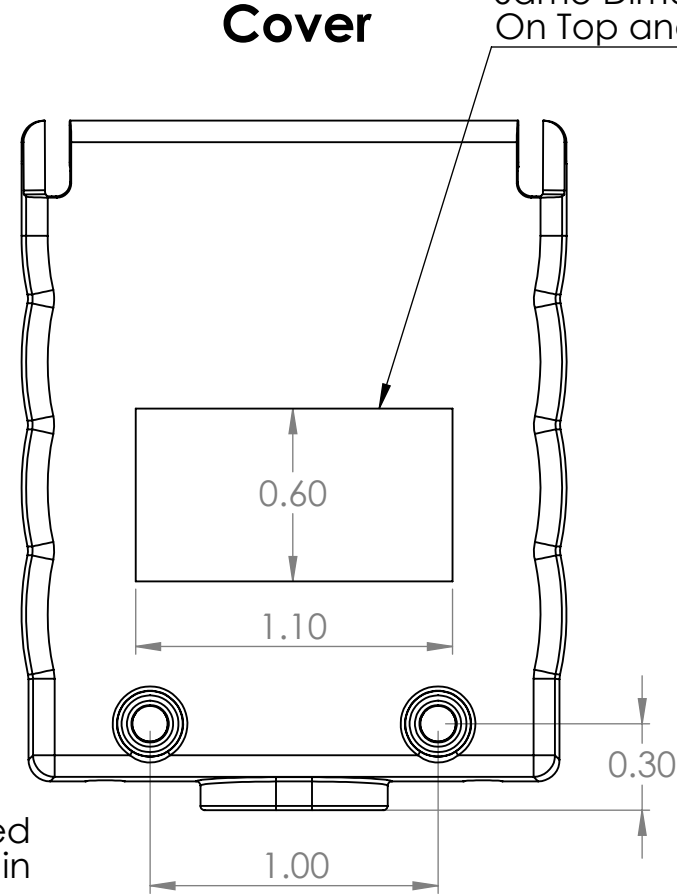
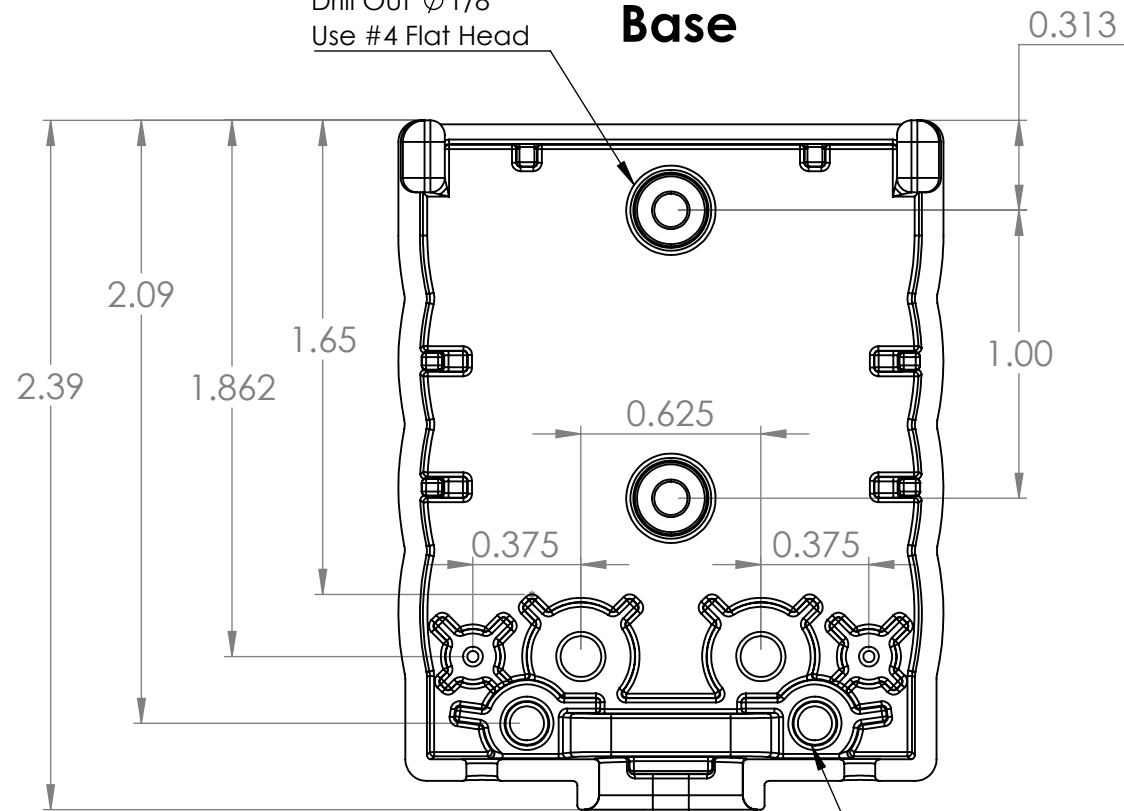
Note: See also "Recommended PCB Drawing to fit ECB15A2 Enclosure"

Divots For Case Mounting (2 PLCS)
Drill Out $\varnothing 1/8"$
Use #4 Flat Head

Base

Cover

Same Dimensions On Top and Bottom



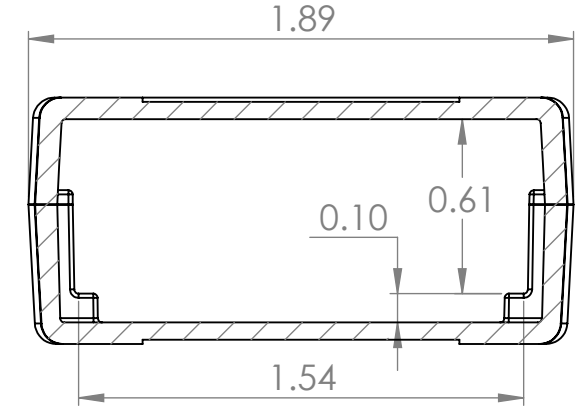
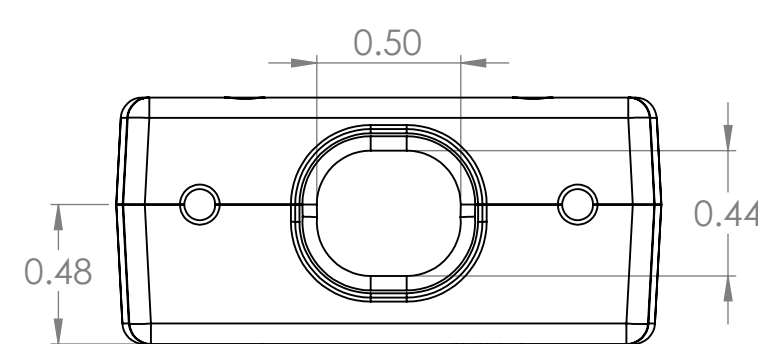
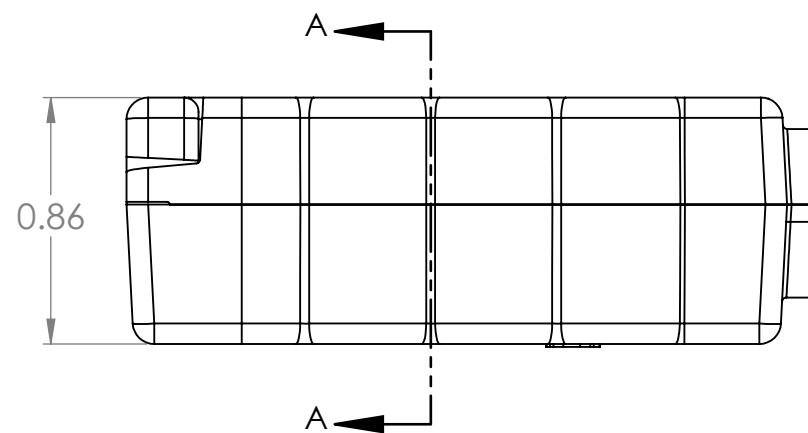
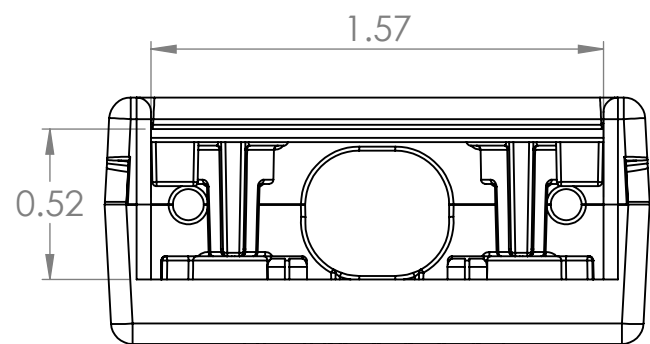
#4-40 Threaded Insert Molded in (2 PLCS)

#4-40 Pan-Head, 5/8" For Case Enclosure (Qty:2)	
3.5MM OD x 5.5MM Snap Rivet For PCB Mounting (Qty: 2)	
0.1" Zip Tie, 4" For Wire Strain Relief (Qty:1)	

Front Assembly

Back Assembly

SECTION A-A



DIM: INCH	DATE: 09/05/2024	RoHS COMPLIANT: Yes	DESCRIPTION: DB15 PCB Enclosure Kit	
		WINFORD ENGINEERING, LLC 4561 GARFIELD ROAD AUBURN, MI 48611	PART NUMBER (S) ECB15A2-N	PART REVISION A
www.winford.com		989-671-9721		

4

3

2

1

B

B

A

A