

4

3

2

1

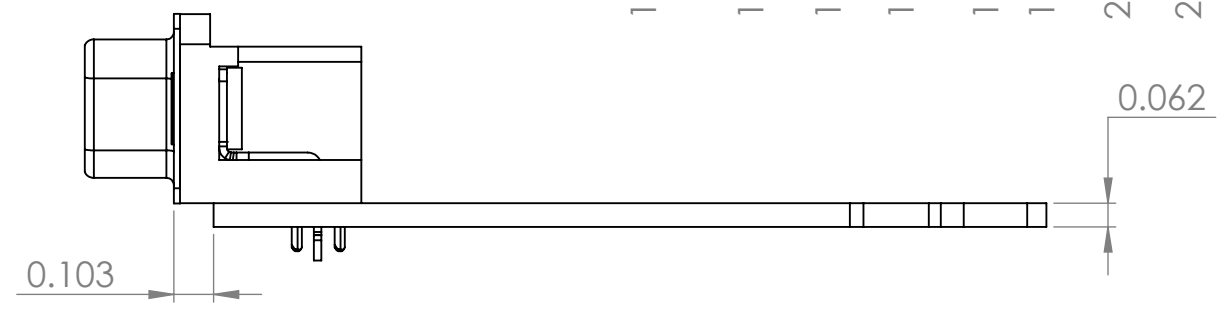
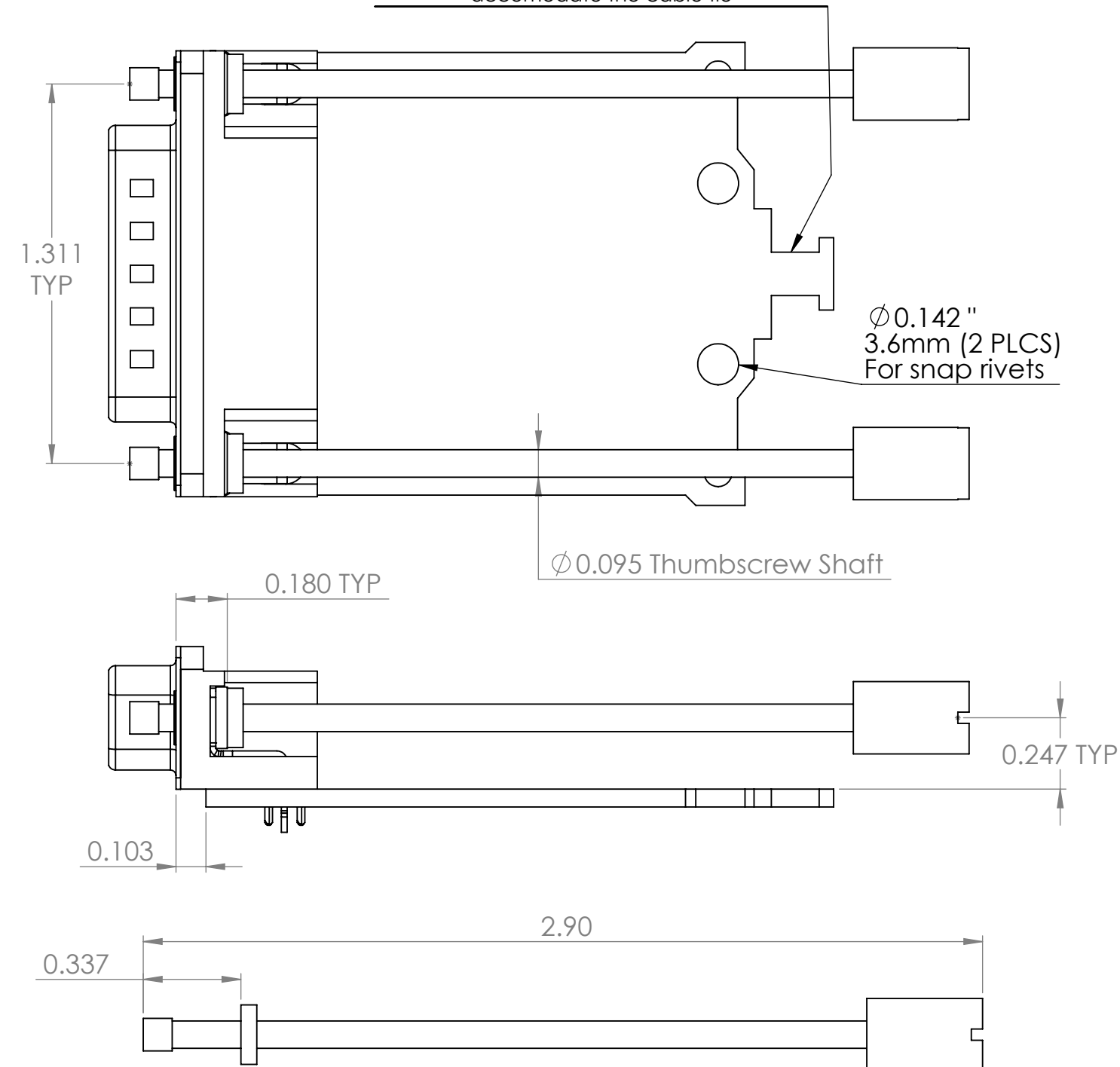
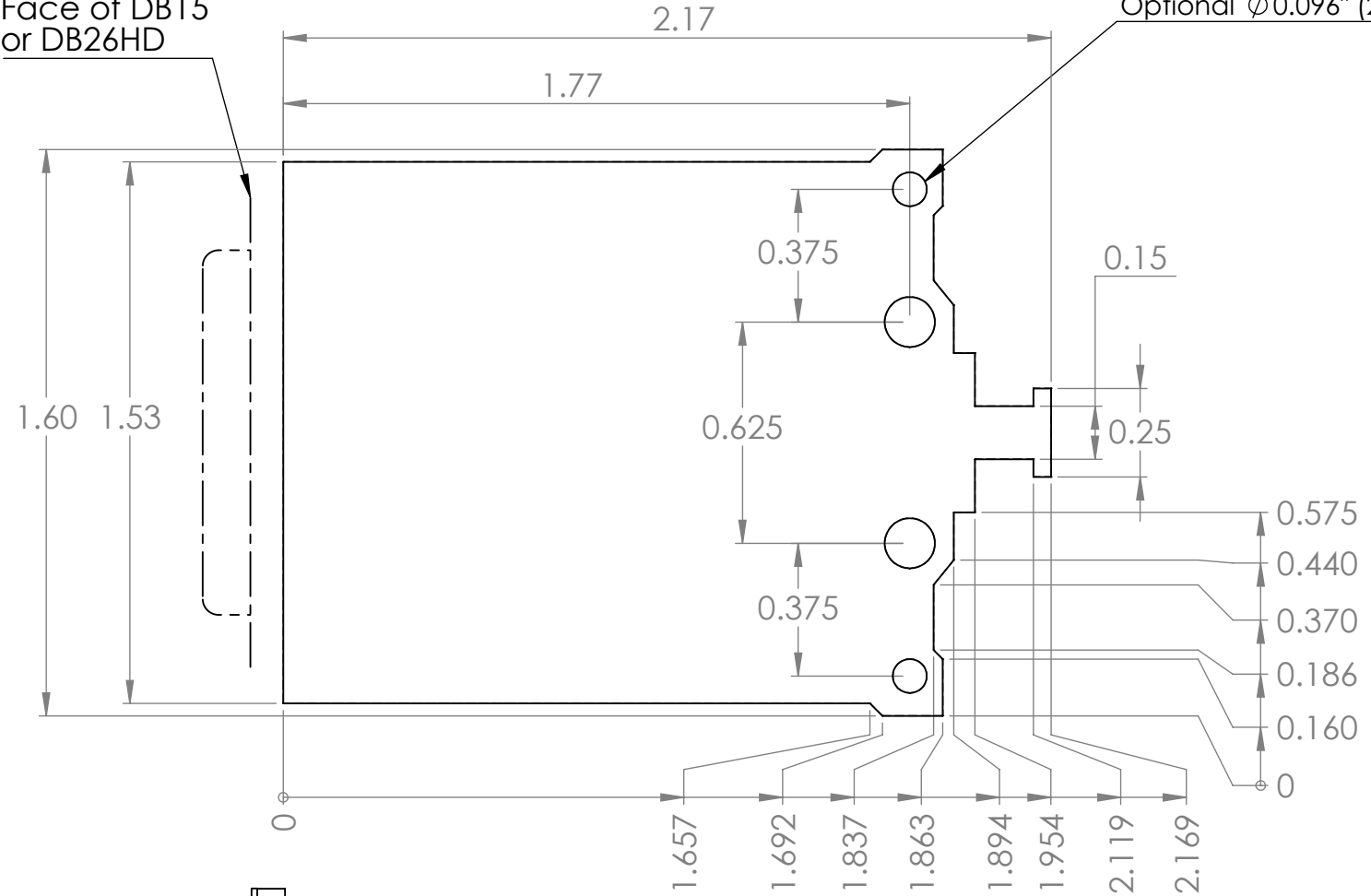
Face of DB15 or DB26HD


Optional $\phi 0.096"$ (2 PLCS), Aligns with screw bosses

Cable Strain Relief
If a strain relief is desired, It should be designed into the PCB with these dimensions.
It will align with a slot in the enclosure to accommodate the cable tie

$\phi 0.142"$
3.6mm (2 PLCS)
For snap rivets

$\phi 0.095$ Thumbscrew Shaft



DIM: INCH	DATE: 09/06/2024	RoHS COMPLIANT: N/A	DESCRIPTION: Recommended PCB Drawing to fit ECB15A2 Enclosure	
		WINFORD ENGINEERING, LLC 4561 GARFIELD ROAD AUBURN, MI 48611		PART NUMBER (S)
www.winford.com		989-671-9721		N/A
				PART REVISION A

4

3

2

1

B

B

A

A