

4

3

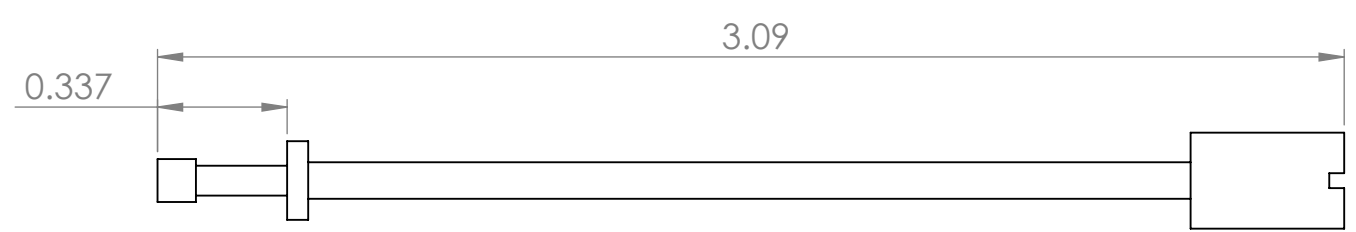
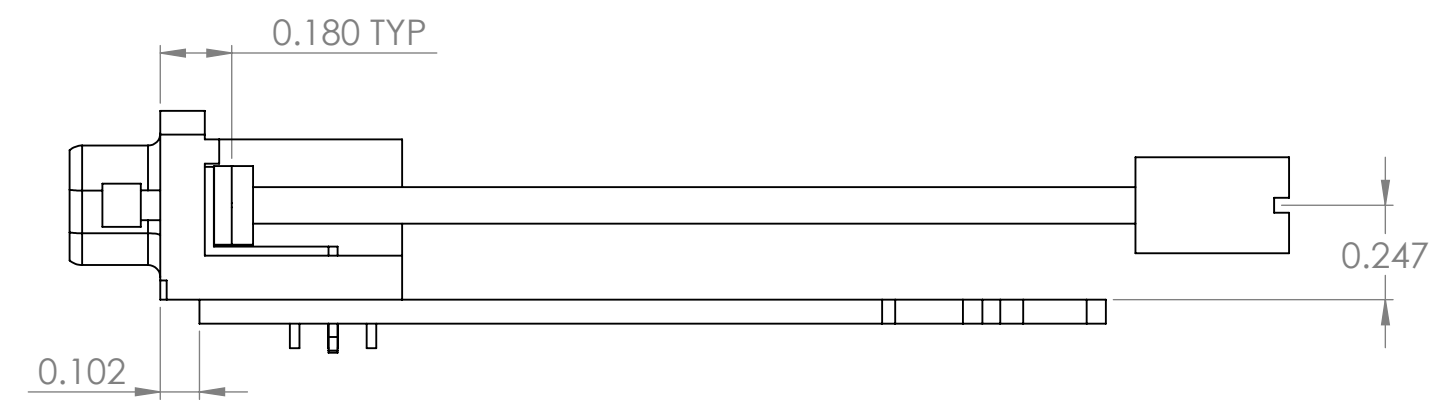
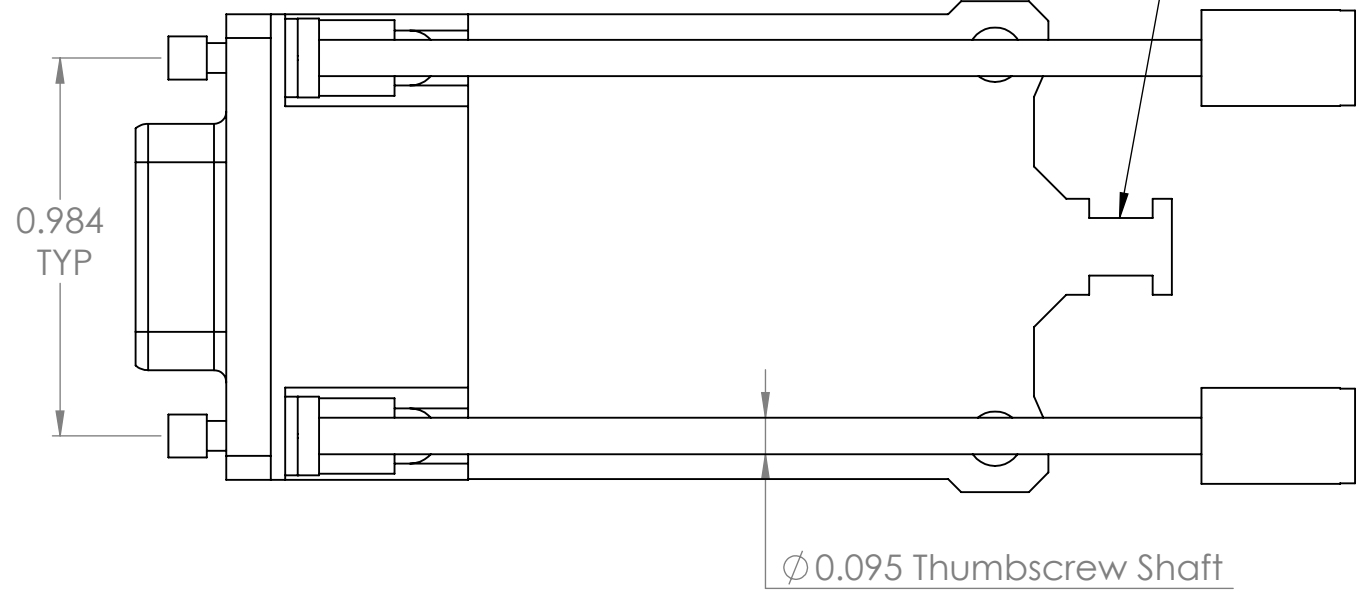
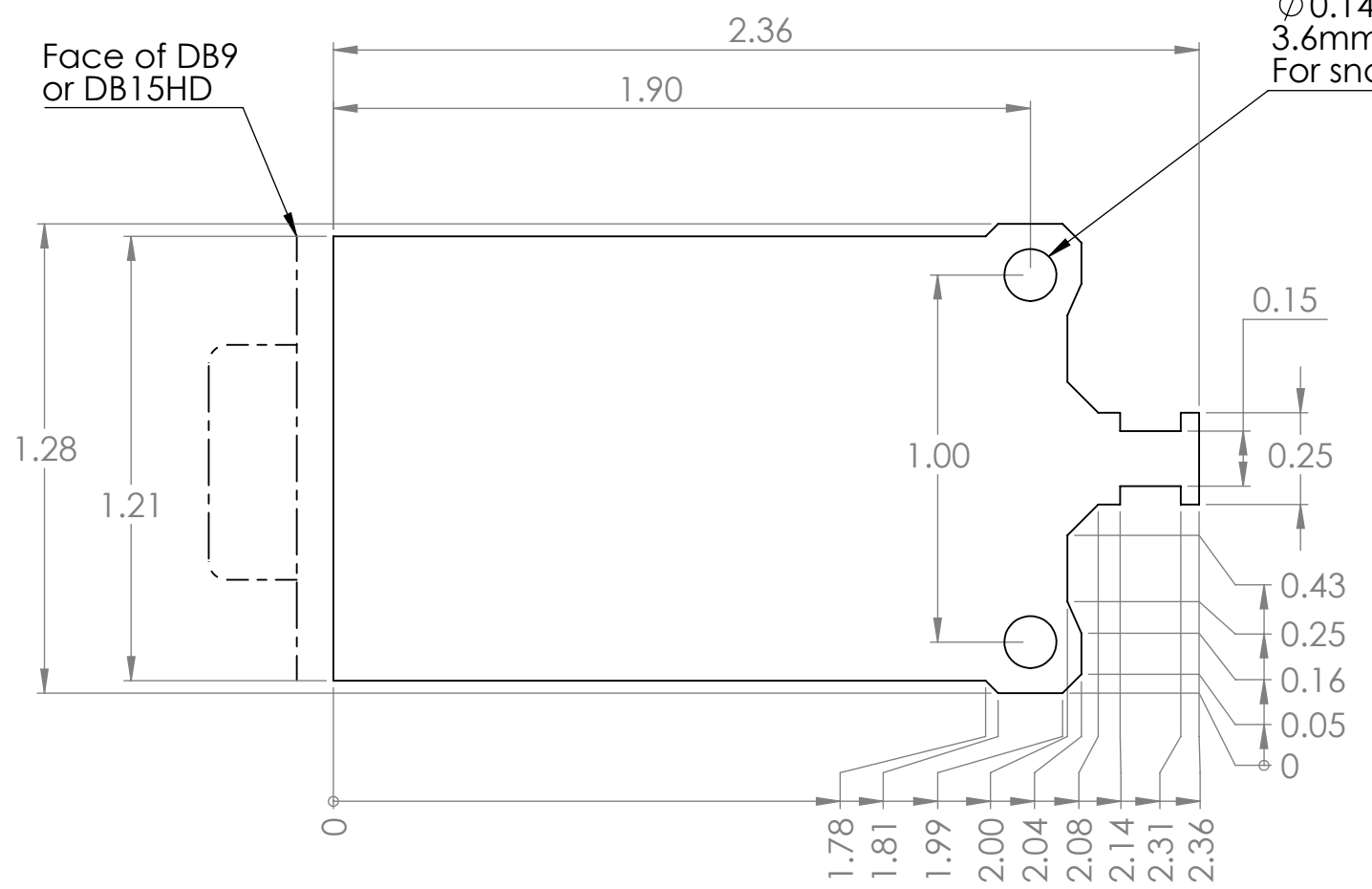
2


1

Face of DB9
or DB15HD

Ø0.142"
3.6mm (2 PLCS)
For snap rivets

Cable Strain Relief
If a strain relief is desired, It should be designed
into the PCB with these dimensions.
It will align with a slot in the enclosure
to accommodate the cable tie



DIM: INCH	DATE: 09/19/2024	RoHS COMPLIANT: N/A	DESCRIPTION: Recommended PCB Drawing to fit ECB9B2 Enclosure
		WINFORD ENGINEERING, LLC 4561 GARFIELD ROAD AUBURN, MI 48611	PART NUMBER (S) N/A
www.winford.com		989-671-9721	PART REVISION A

4

3

2

1

B

B

A

A