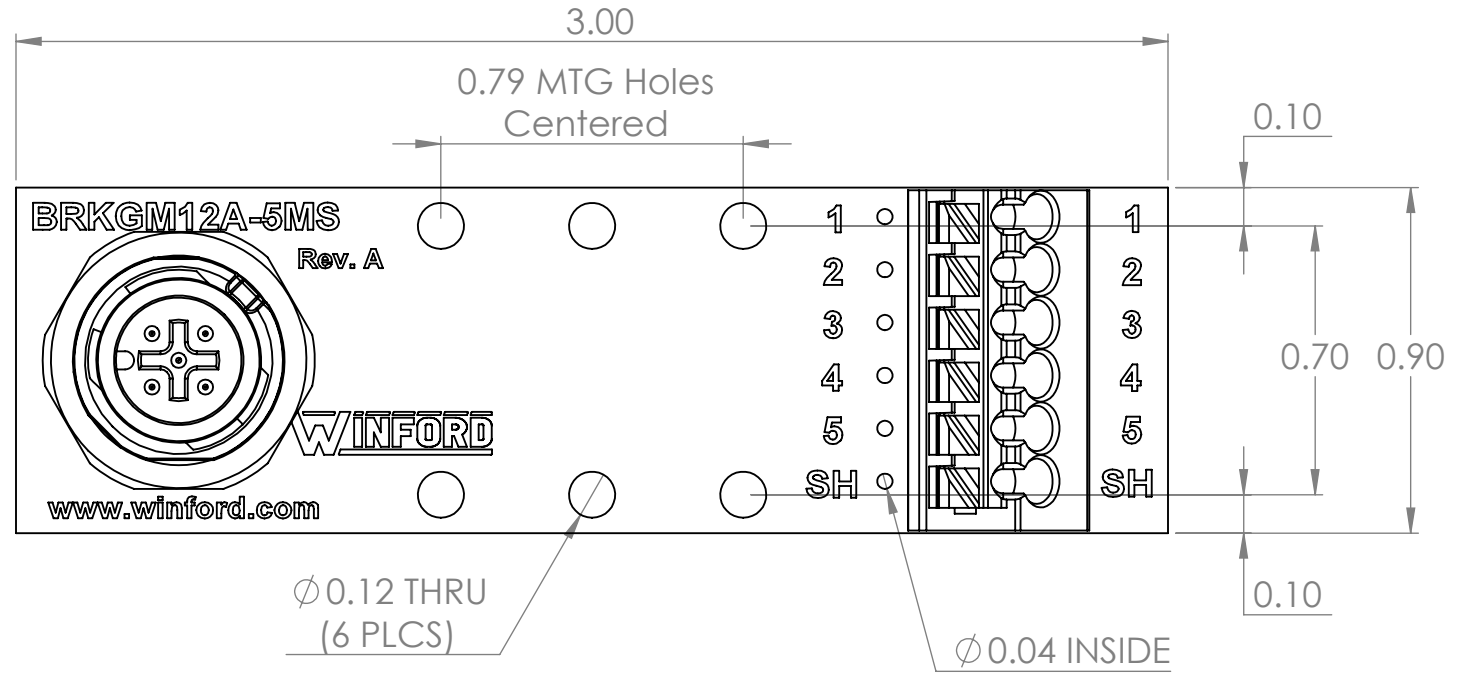
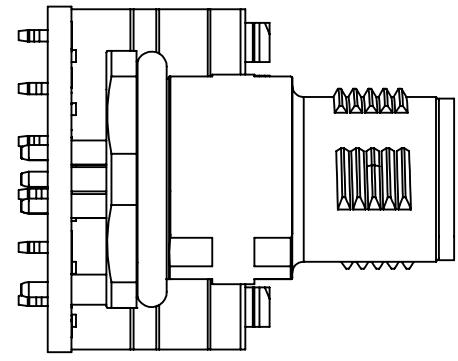


4

3

2

1



Ø0.12 THRU  
(6 PLCS)

Ø0.04 INSIDE

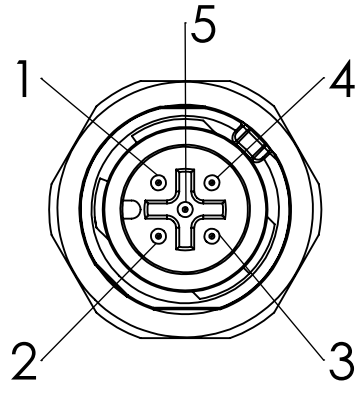
B

B

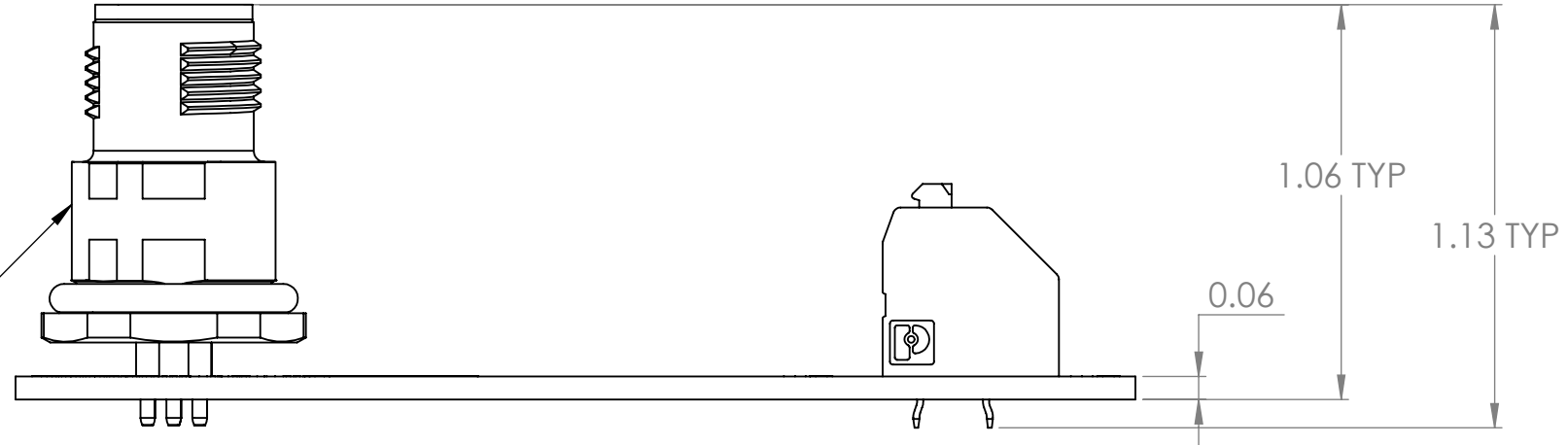
A


A

Connector Pinout  
(Male)



M16x1.5 Thread



DIM: INCH	DATE: 02/12/2024	RoHS COMPLIANT: Yes	DESCRIPTION: M12 5 Pin Male Breakout with Spring Terminals
 WINFORD ENGINEERING, LLC 4561 GARFIELD ROAD AUBURN, MI 48611			PART NUMBER (S) <b>BRKGM12A-5MS-N</b>
www.winford.com		989-671-9721	PART REVISION <b>A</b>

4

3

2

1