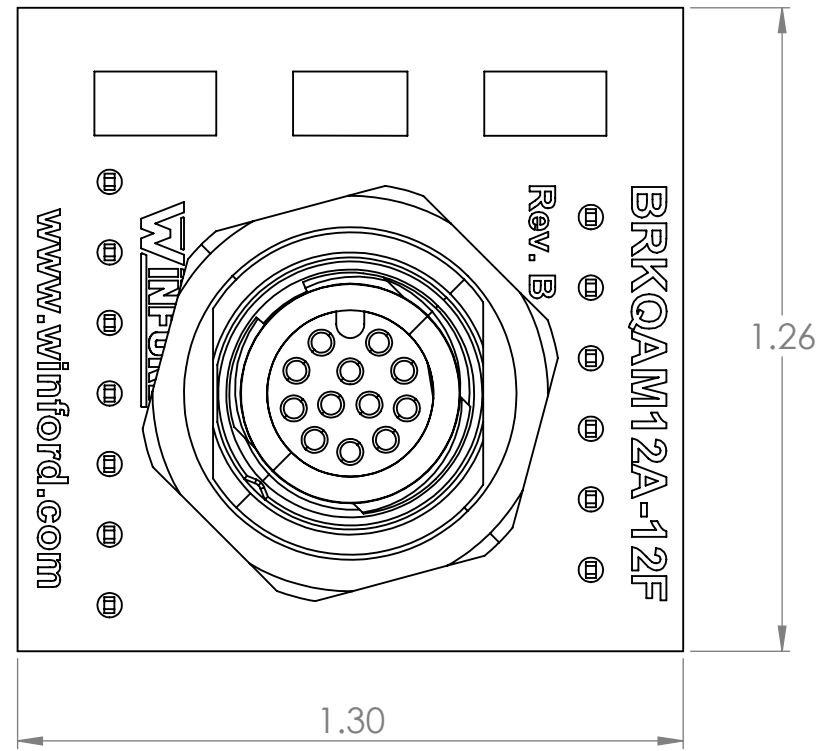
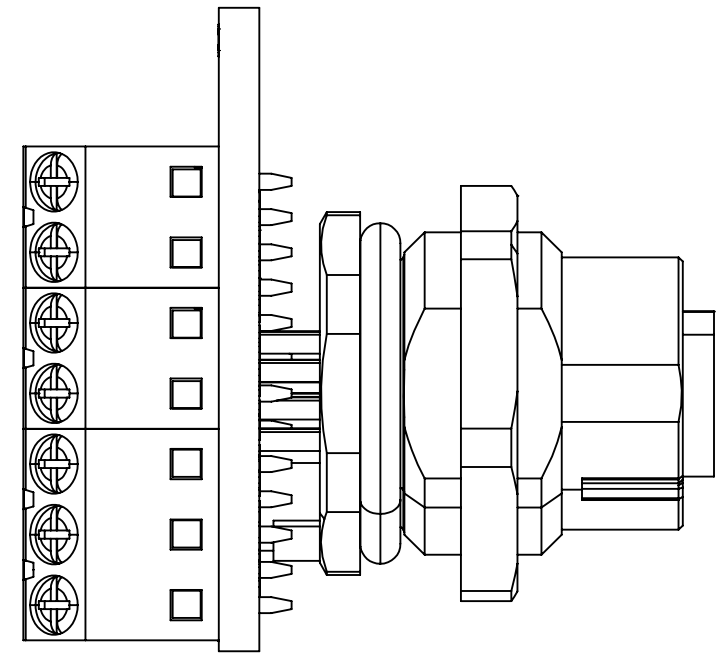
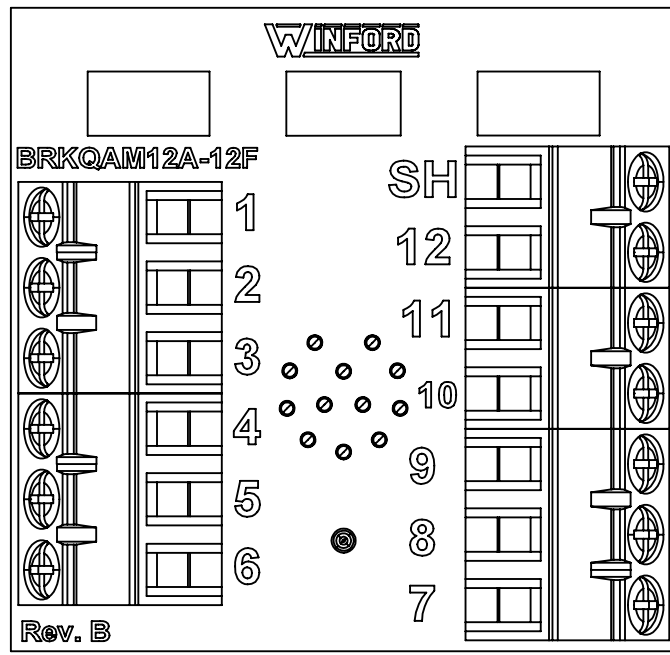


4

3

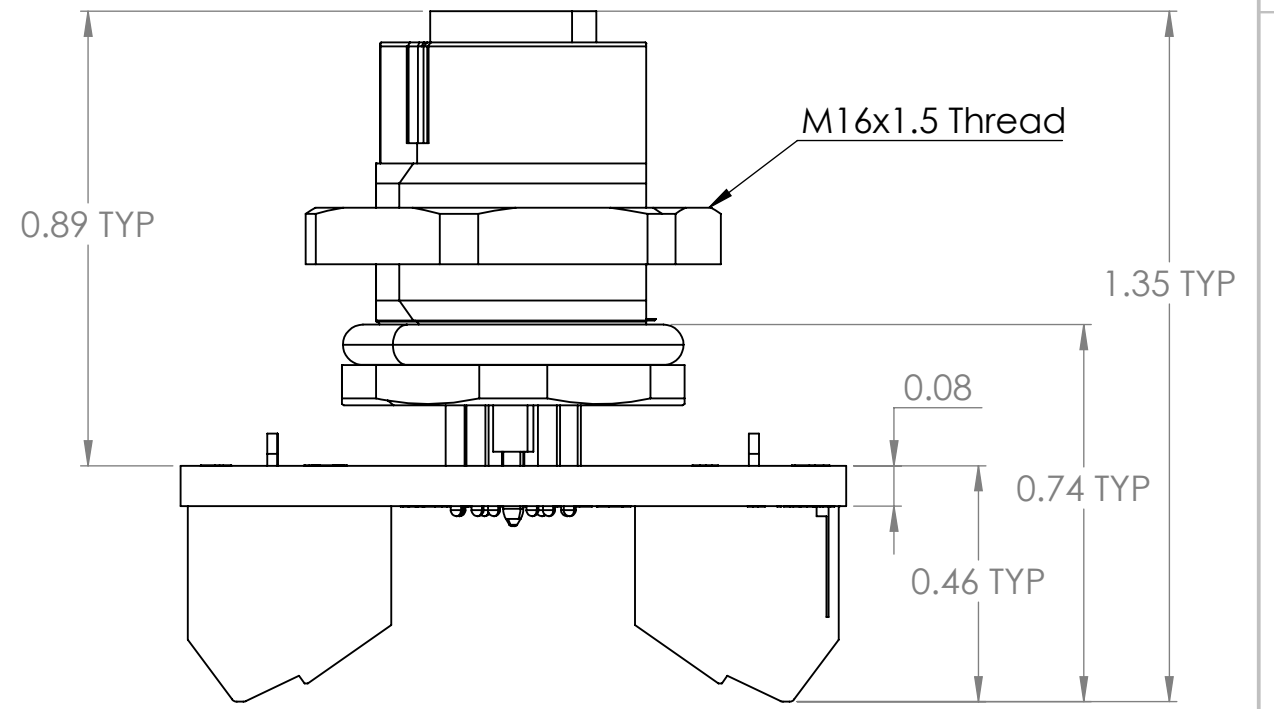
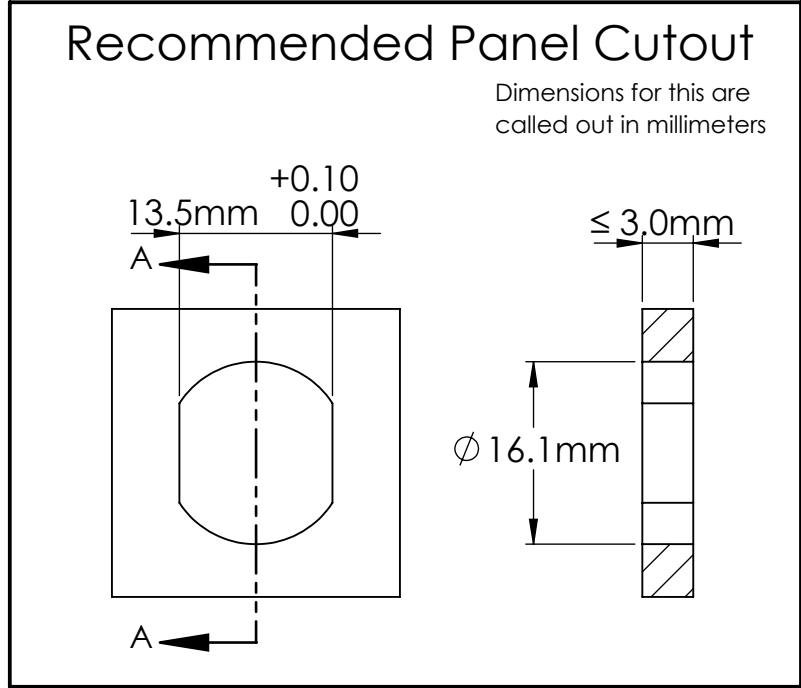
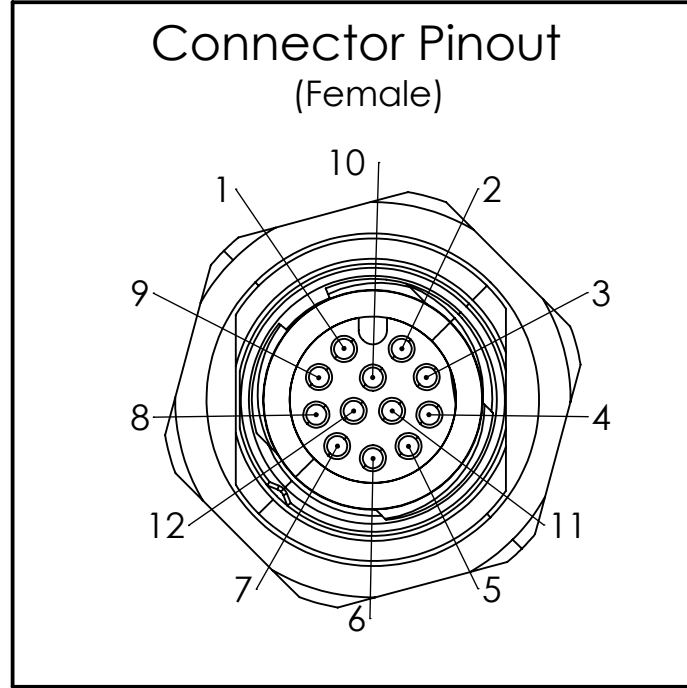
2

1



B

B



A

A

DIM: INCH	DATE: 03/03/2023	RoHS COMPLIANT: Yes	DESCRIPTION:
			M12 12 Pin Female Breakout Board
WINFORD ENGINEERING, LLC 4561 GARFIELD ROAD AUBURN, MI 48611 www.winford.com			PART NUMBER (S) BRKQAM12A-12F-A
989-671-9721			PART REVISION B

4

3

2

1