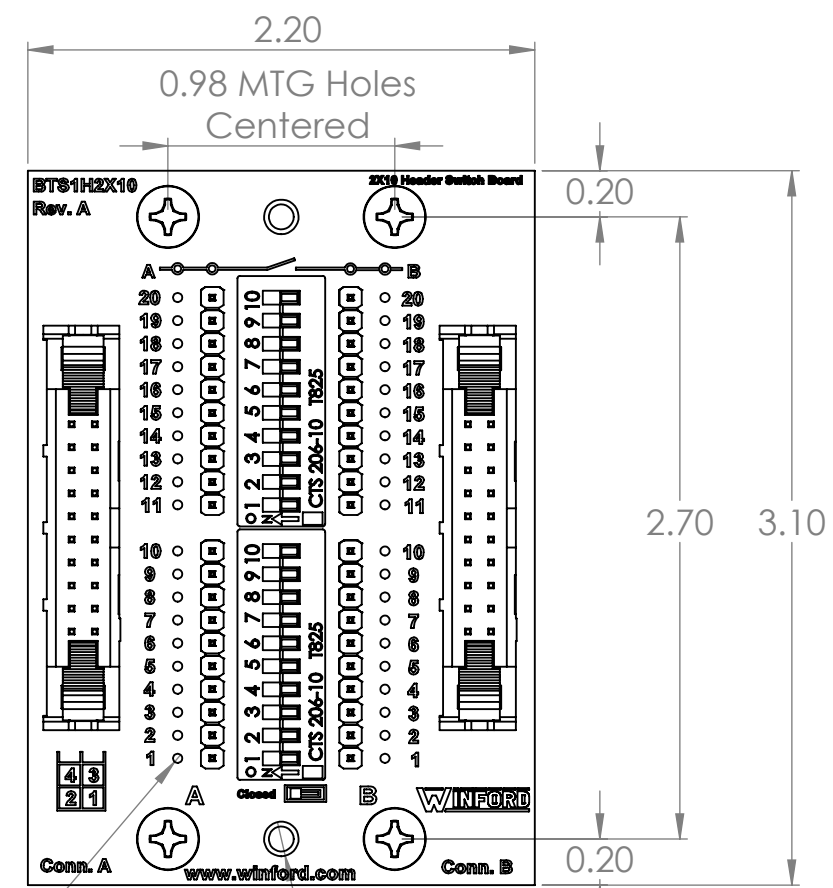
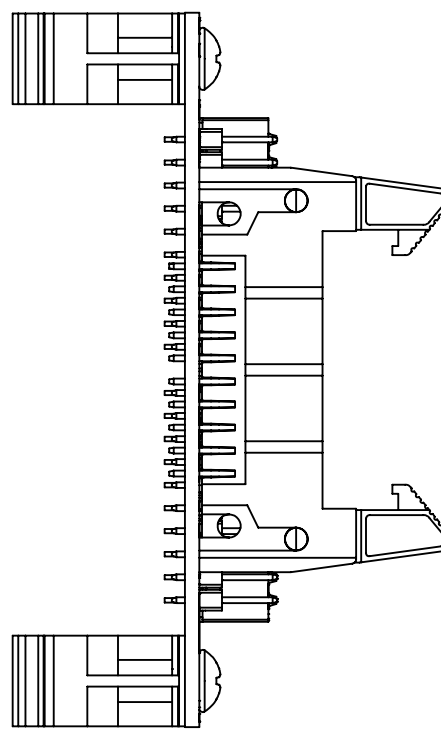


4

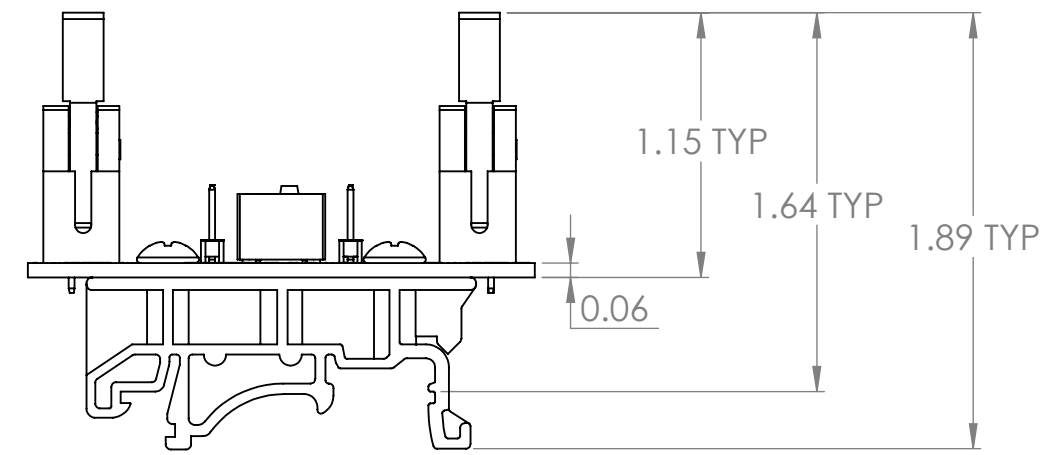
3

2

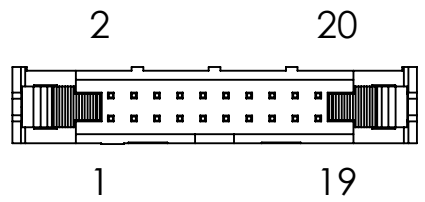
1




Ø0.04 INSIDE
 Ø0.15 THRU (6 PLCS)



Connector Pinout



DIM: INCH	DATE: 01/07/2022	RoHS COMPLIANT: Yes	DESCRIPTION: 2x10 0.1" Header Diagnostic Breakout Board
 WINFORD ENGINEERING, LLC 4561 GARFIELD ROAD AUBURN, MI 48611		PART NUMBER (S) BTS1H2X10-DIN	PART REVISION A
www.winford.com		989-671-9721	

4

3

2

1

B

B

A

A