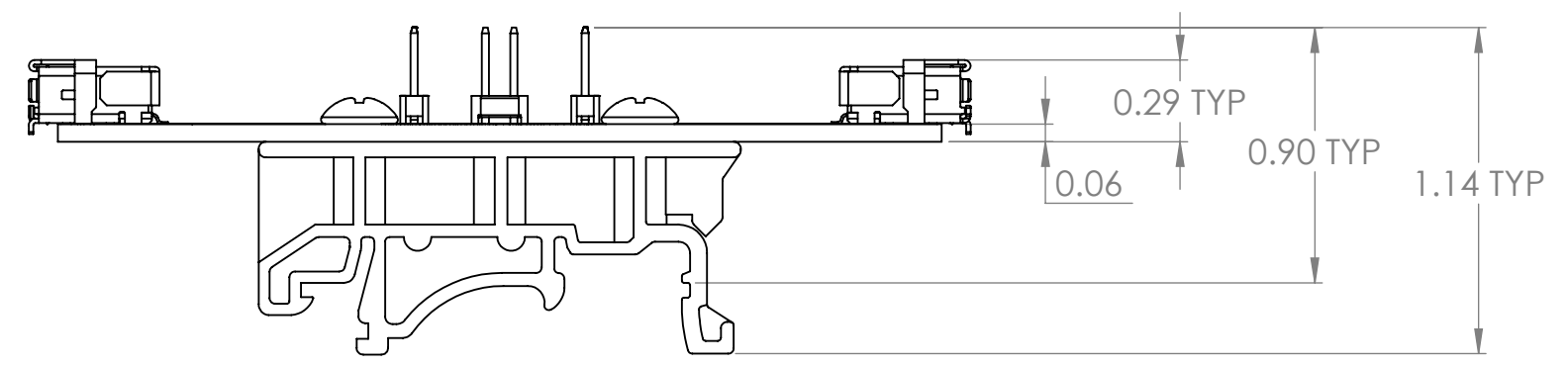
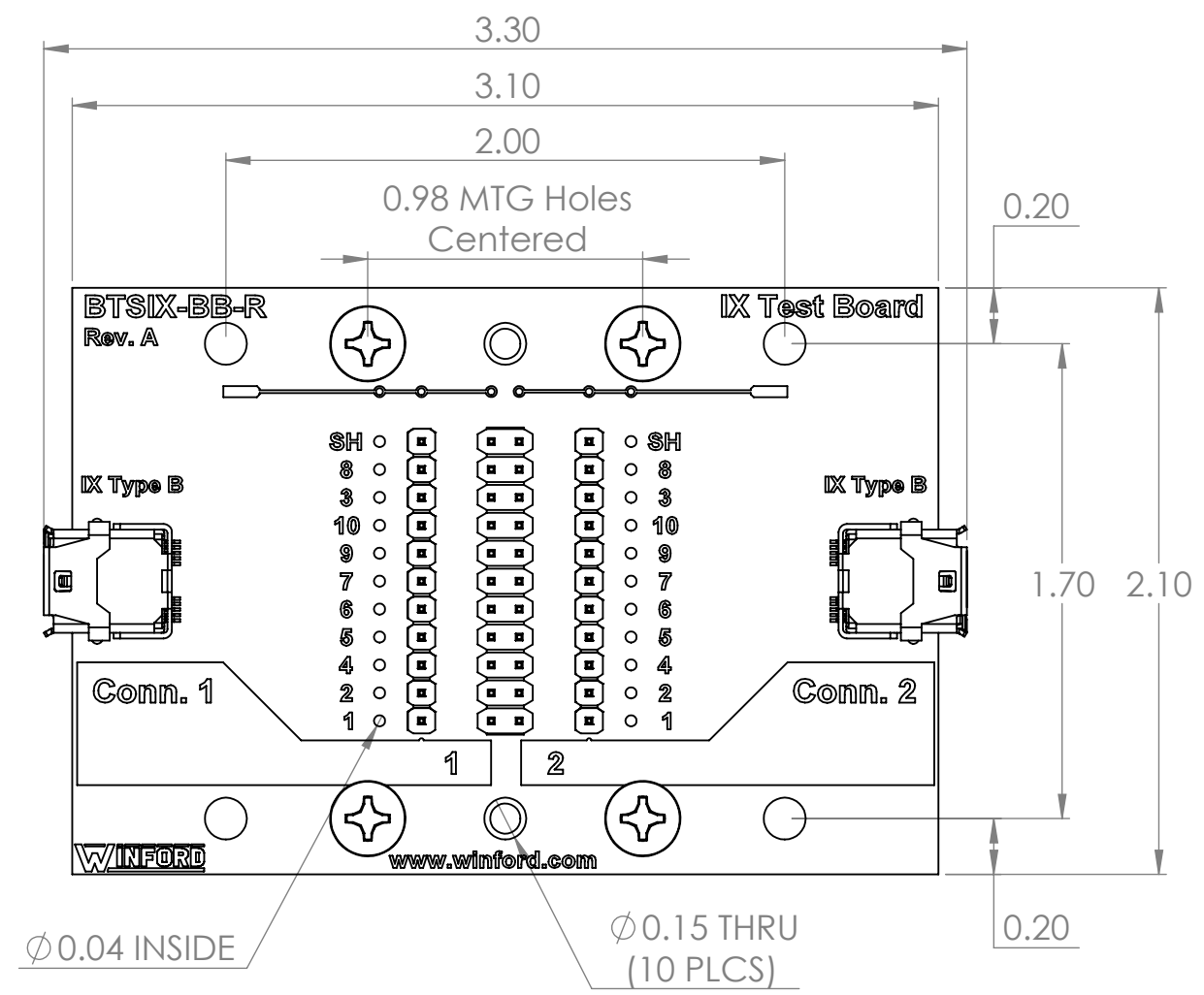
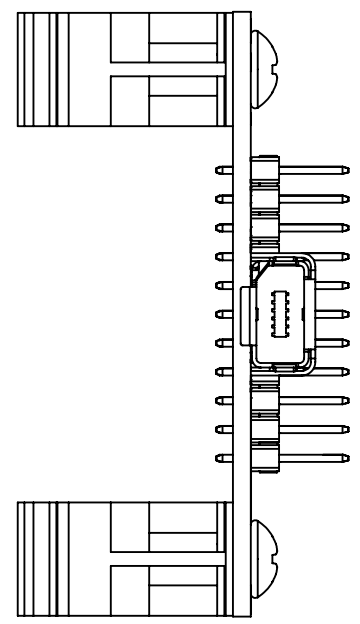


4

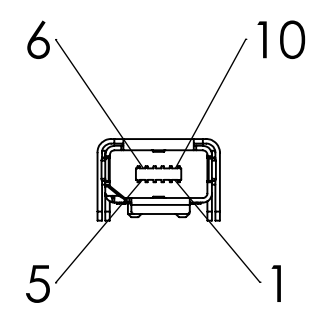
3


2

1



Connector Pinout



DIM: INCH	DATE: 06/25/2024	RoHS COMPLIANT: Yes	DESCRIPTION: Diagnostic Breakout Board: IX Industrial Connector, Type B	
		WINFORD ENGINEERING, LLC 4561 GARFIELD ROAD AUBURN, MI 48611	PART NUMBER (S)	PART REVISION
www.winford.com		989-671-9721	BTSIX-BB-R-DIN	A

4

3

2

1

B

B

A

A