

4

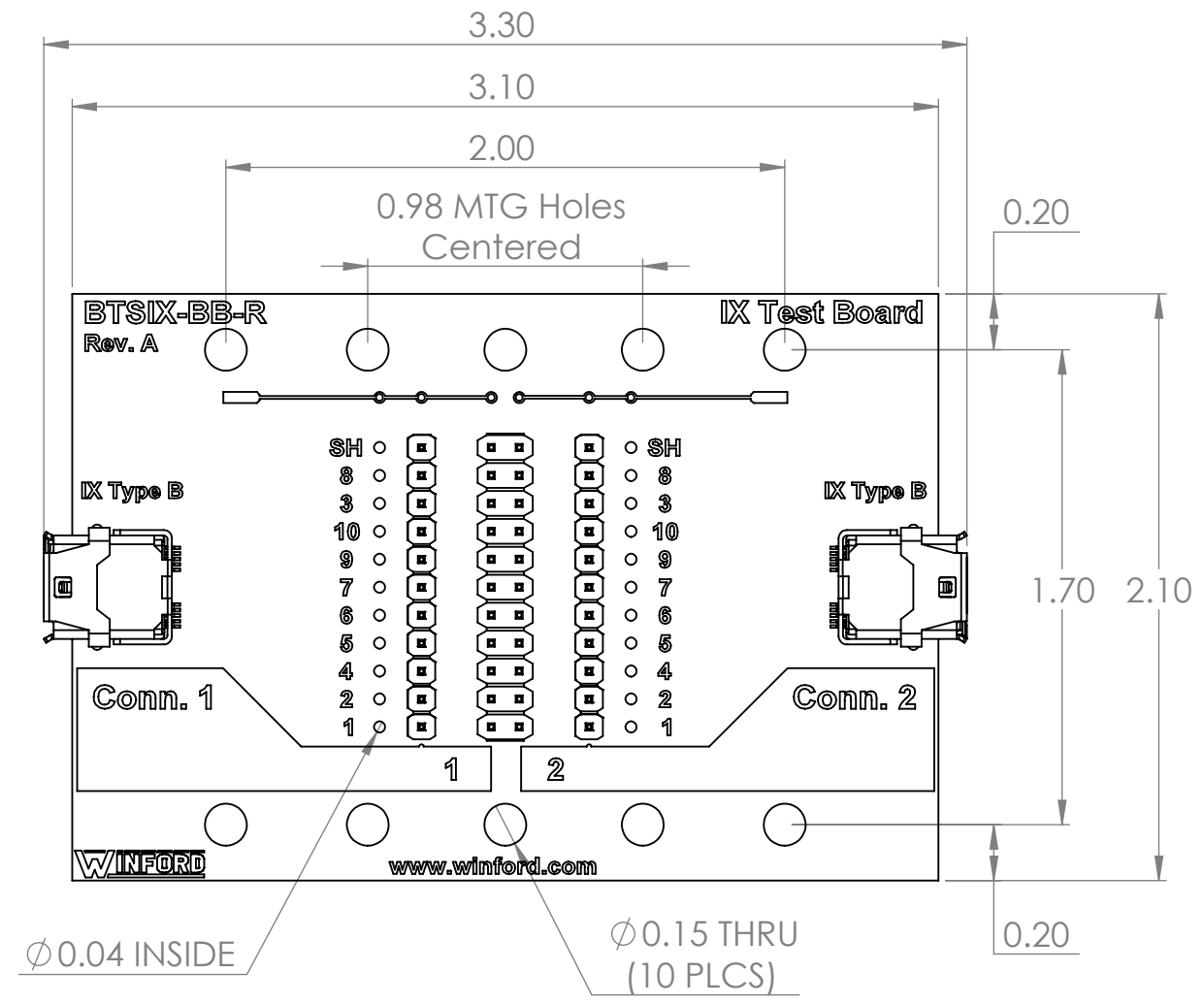
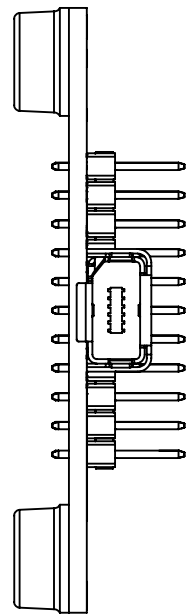
3

2

1

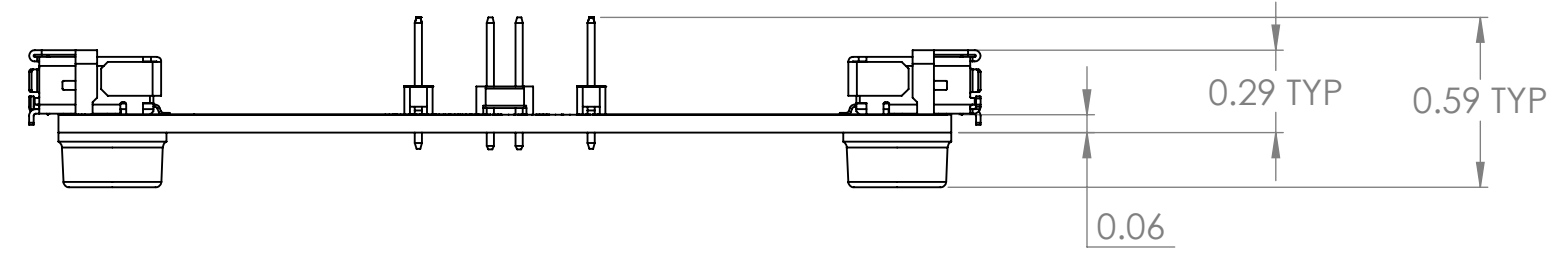
B

B

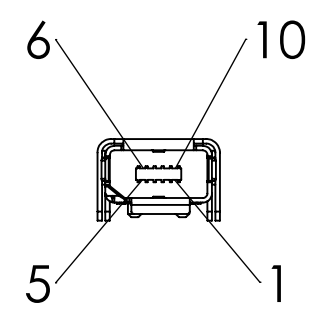



A

A



### Connector Pinout



DIM: INCH	DATE: 06/25/2024	RoHS COMPLIANT: Yes	DESCRIPTION: Diagnostic Breakout Board: IX Industrial Connector, Type B
		WINFORD ENGINEERING, LLC 4561 GARFIELD ROAD AUBURN, MI 48611	PART NUMBER (S) <b>BTSIX-BB-R-FT</b>
www.winford.com		989-671-9721	PART REVISION <b>A</b>

4

3

2

1