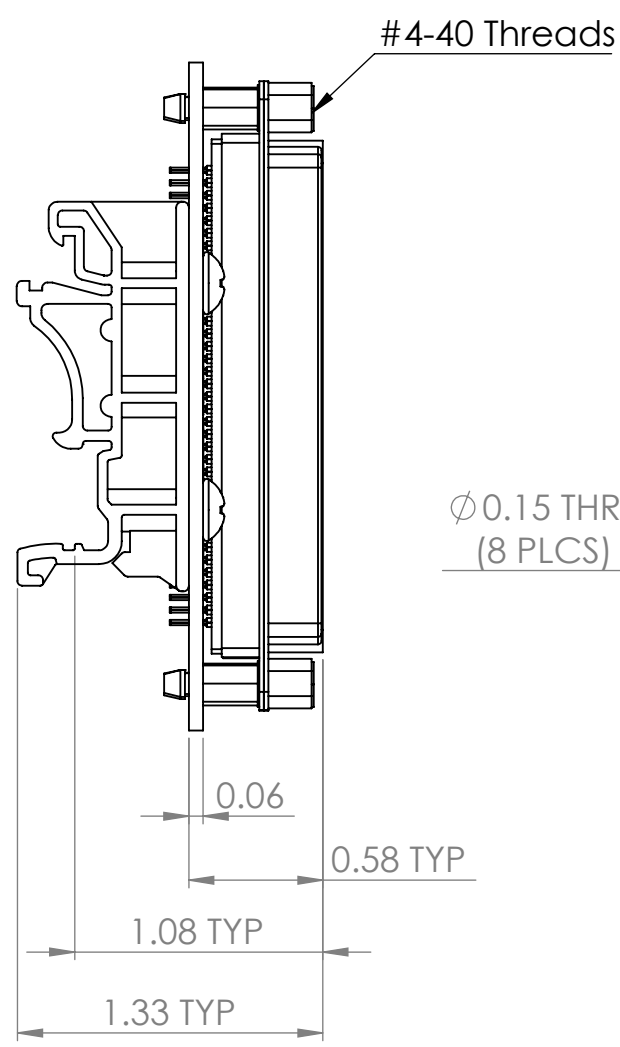
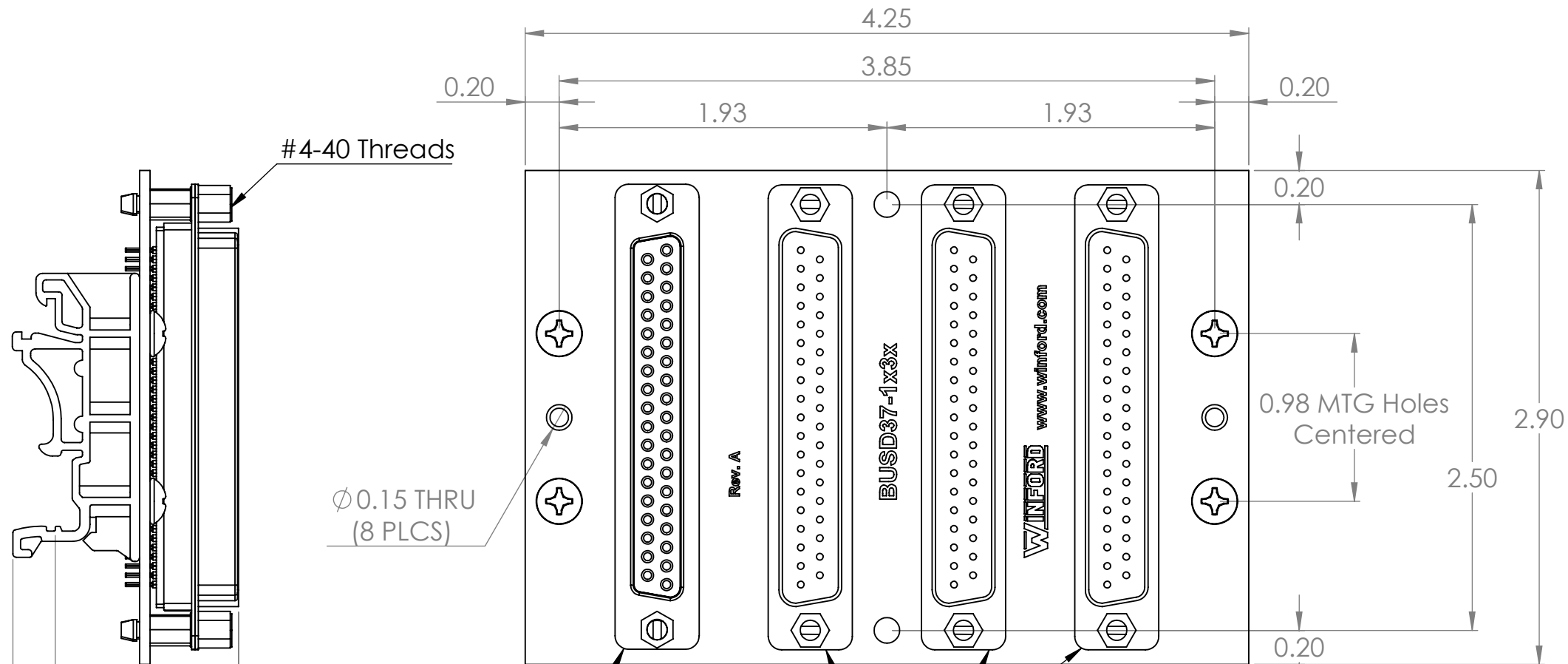


4

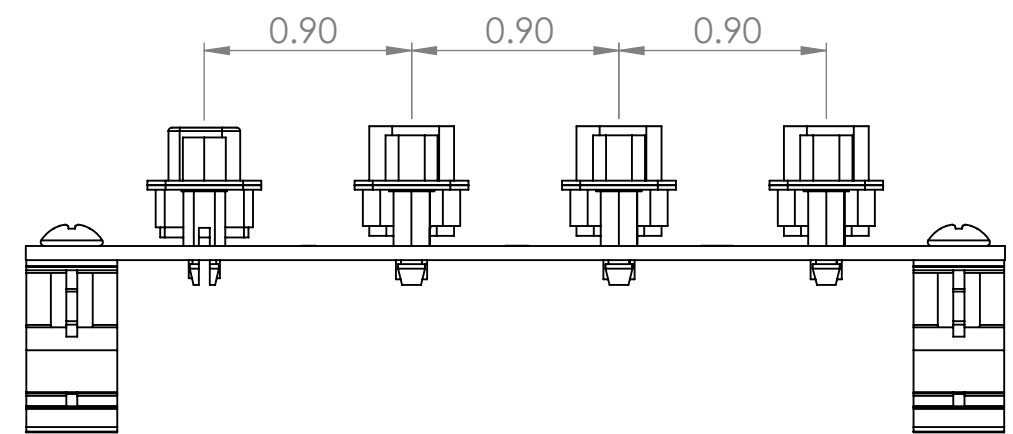
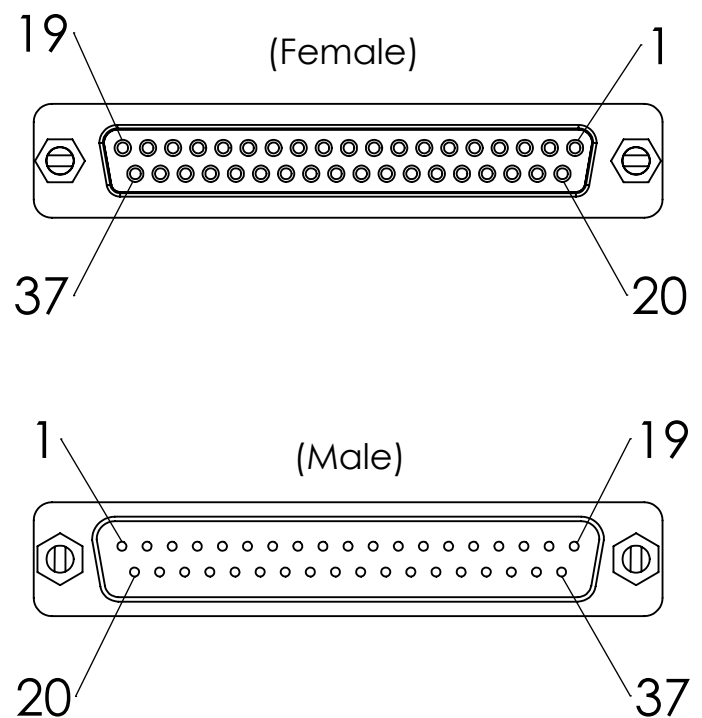
3


2

1



Connector Pinout



DIM: INCH	DATE: 08/01/2024	RoHS COMPLIANT: Yes	DESCRIPTION:
 WINFORD ENGINEERING, LLC 4561 GARFIELD ROAD AUBURN, MI 48611			DB37 Bus Board
www.winford.com			989-671-9721
PART NUMBER (S)			PART REVISION
BUSD37-1F3M-DIN			A

4

3

2

1