

4

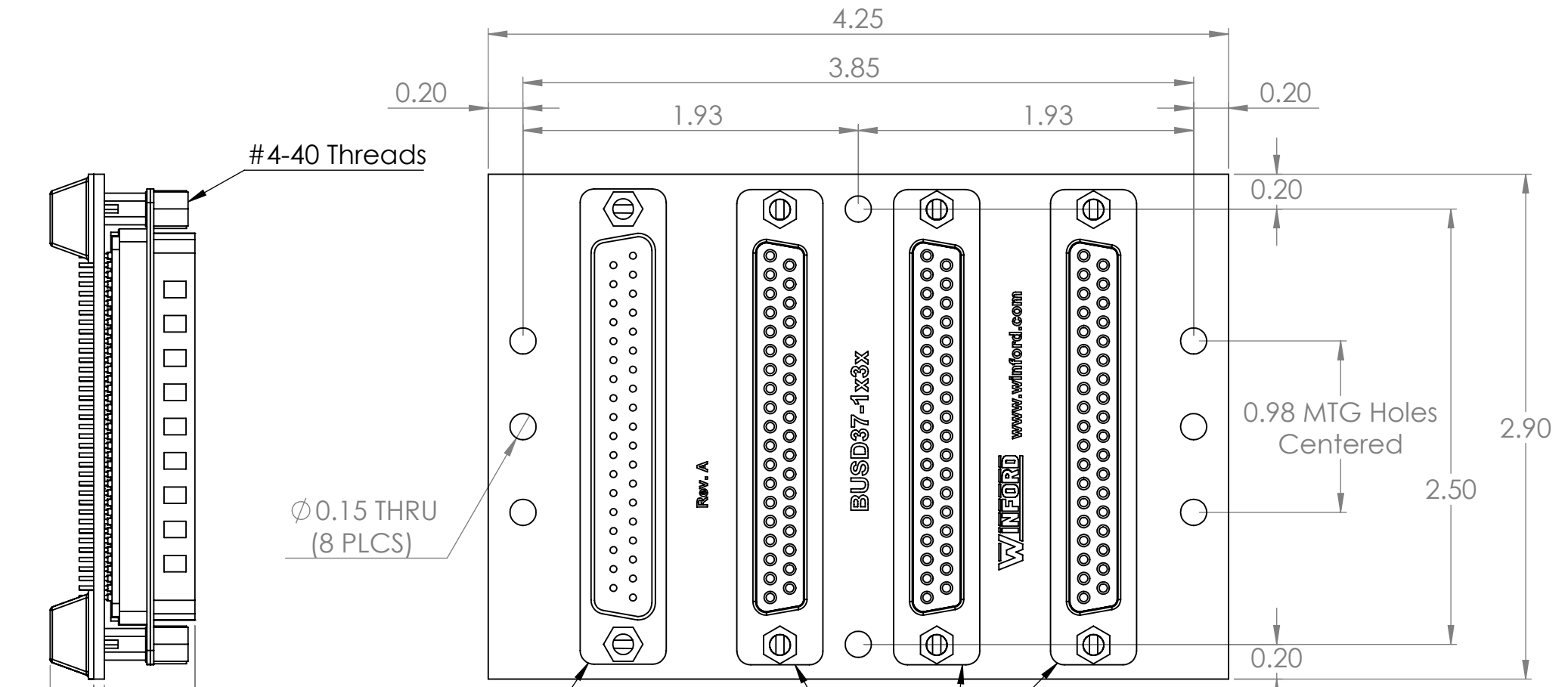
3

2

1

B

B



#4-40 Threads

Ø0.15 THRU (8 PLCS)

Rev. A

BUSD37-1x3x

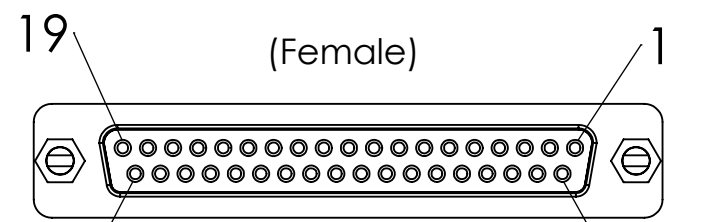
WINFORD www.winford.com

0.98 MTG Holes Centered

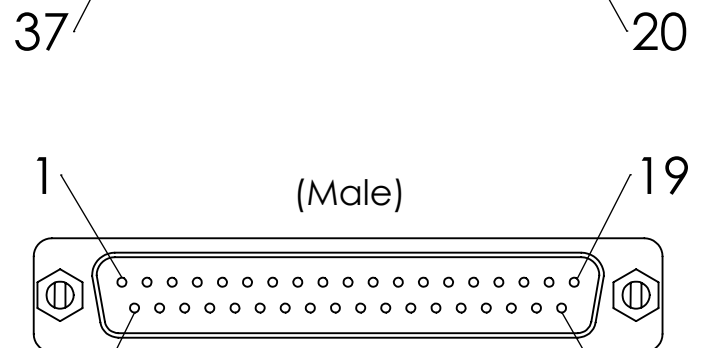
Male

Female

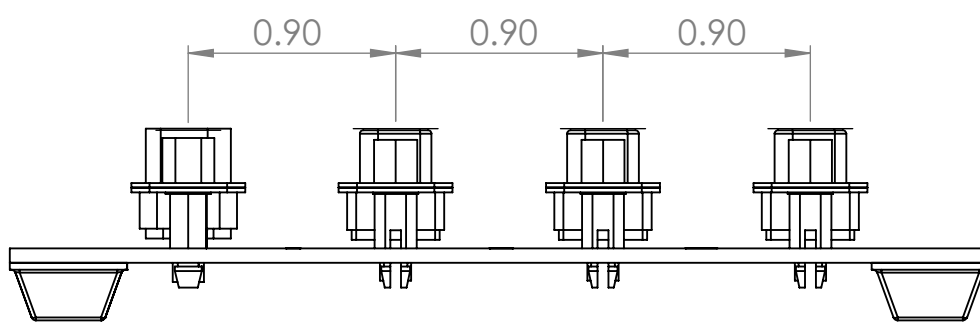
Connector Pinout




(Female)



(Male)



DIM: INCH	DATE: 08/01/2024	RoHS COMPLIANT: Yes	DESCRIPTION:
 WINFORD ENGINEERING, LLC 4561 GARFIELD ROAD AUBURN, MI 48611			DB37 Bus Board
www.winford.com			PART NUMBER (S)
989-671-9721			BUSD37-1M3F-FT
			PART REVISION
			A

4

3

2

1

A

A