

4

3

2

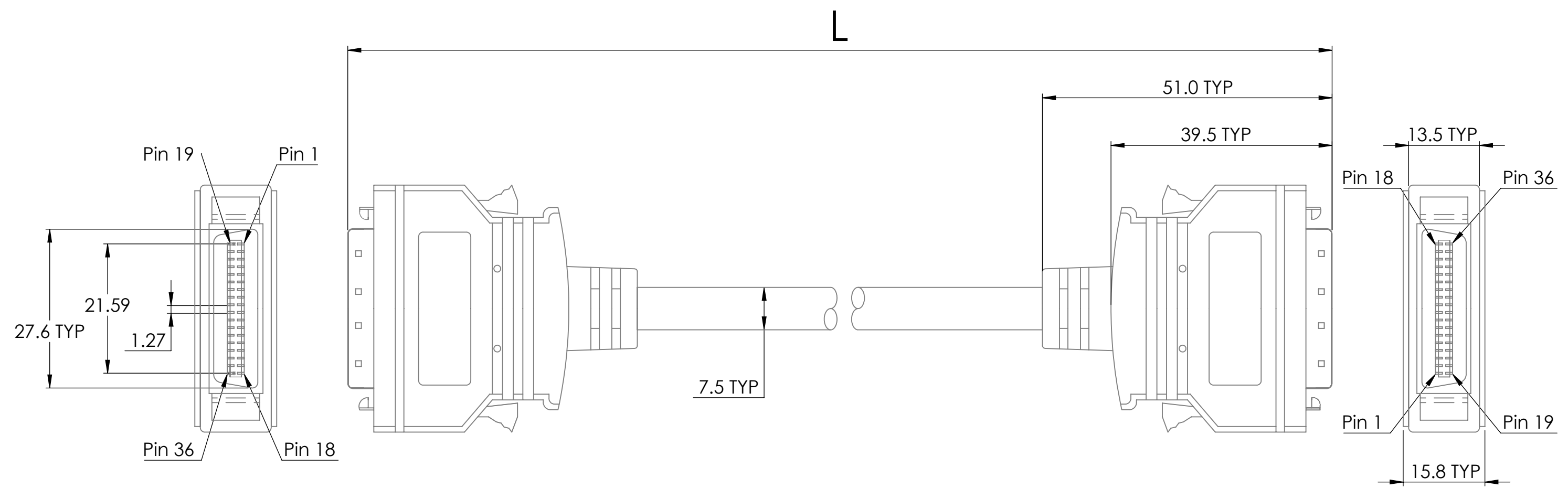
1

B

B


A

A



Note 1: "xx" in part number = Length, in Feet

Note 2: See product datasheet for color code and pairing

DIM: MM	DATE: 06/13/2024	RoHS COMPLIANT: Yes	DESCRIPTION: MDR (Mini Delta Ribbon) 36-Pin Cables	
		WINFORD ENGINEERING, LLC 4561 GARFIELD ROAD AUBURN, MI 48611	PART NUMBER (S) CBMDR36MA-xx	PART REVISION A
www.winford.com		989-671-9721		

4

3

2

1