

4

3

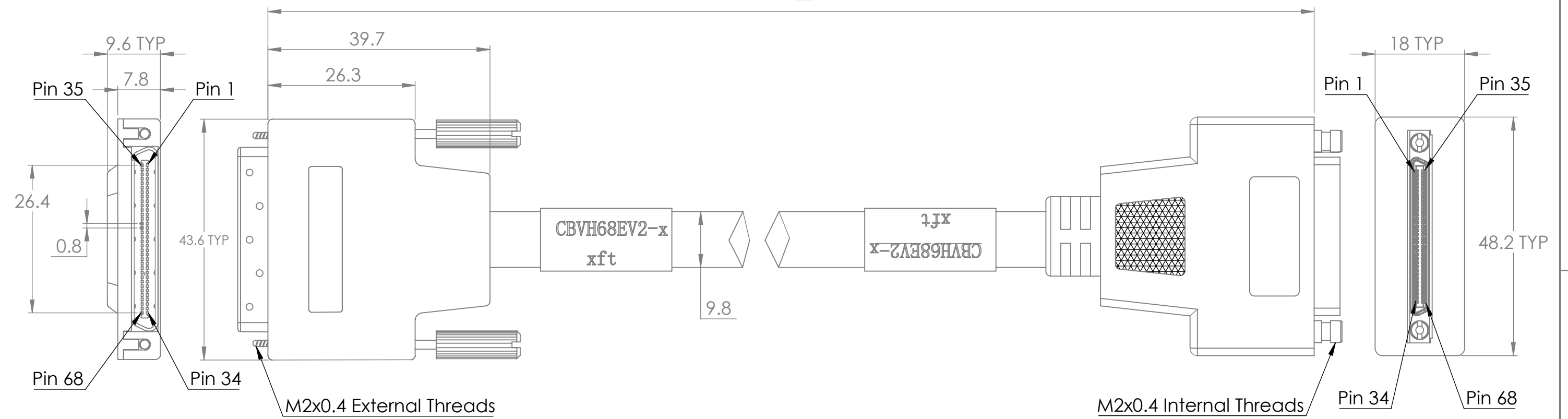
2

1

Male End


Female End

L



Note 1: "xx" in part number = Length, in Feet

Note 2: See product datasheet for color code and pairing

DIM: MM	DATE: 10/25/2024	RoHS COMPLIANT: Yes	DESCRIPTION: VHDCI Cable, Male-Female	
 WINFORD ENGINEERING, LLC 4561 GARFIELD ROAD AUBURN, MI 48611			PART NUMBER (S)	PART REVISION
			CBVH68EV2-xx	A
www.winford.com		989-671-9721		

4

3

2

1