

4

3

2

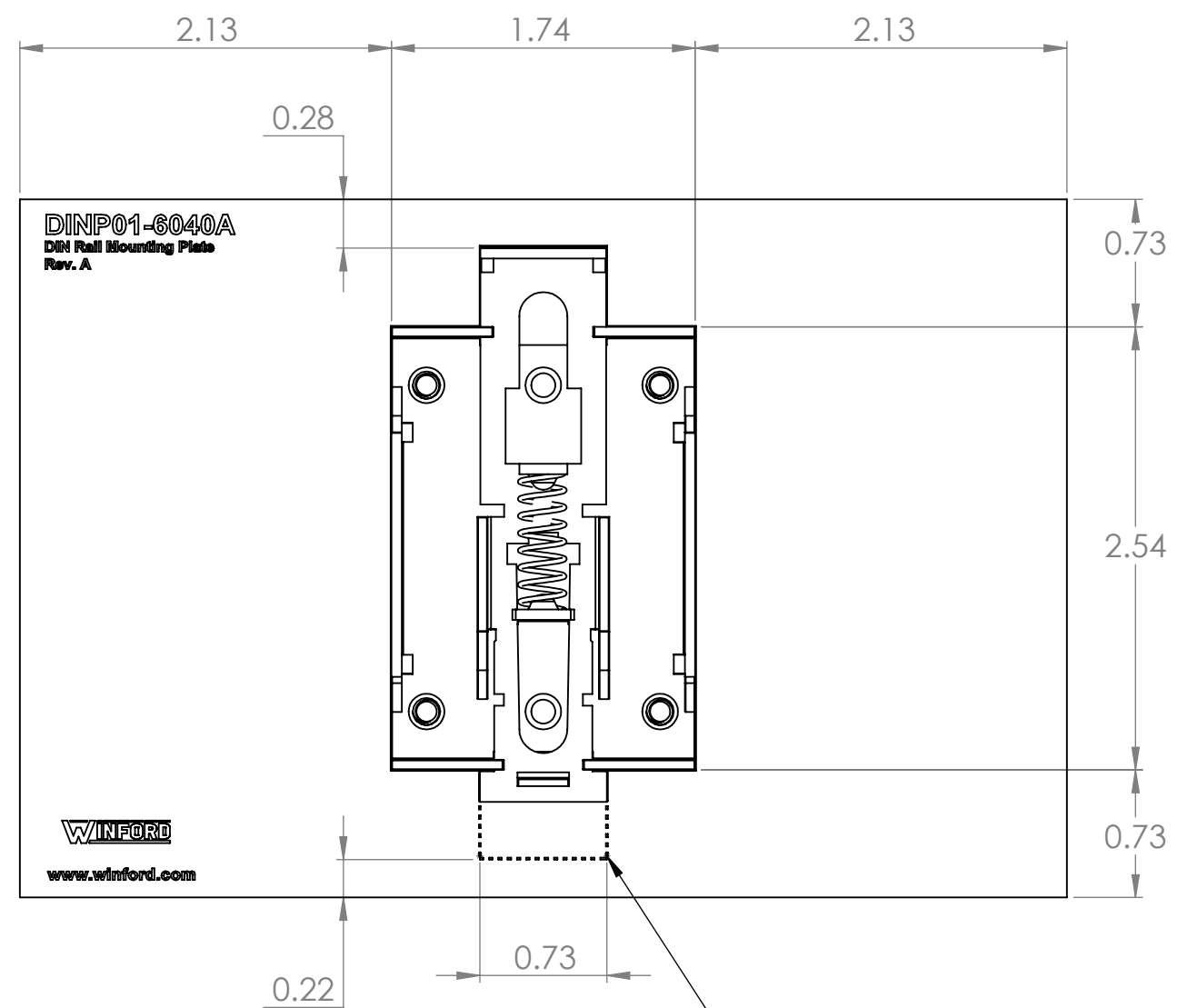
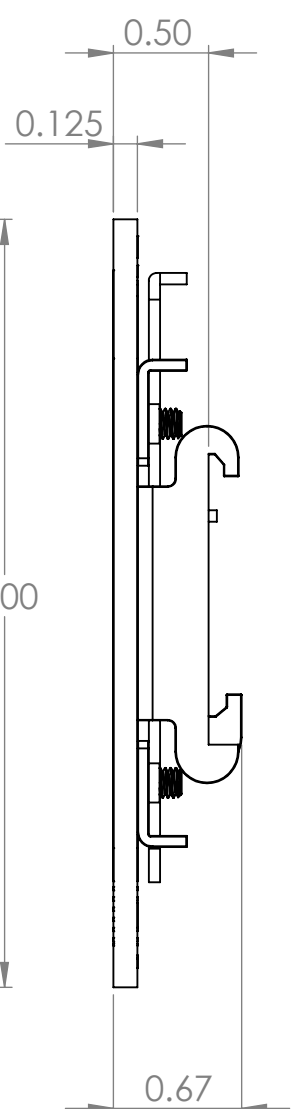
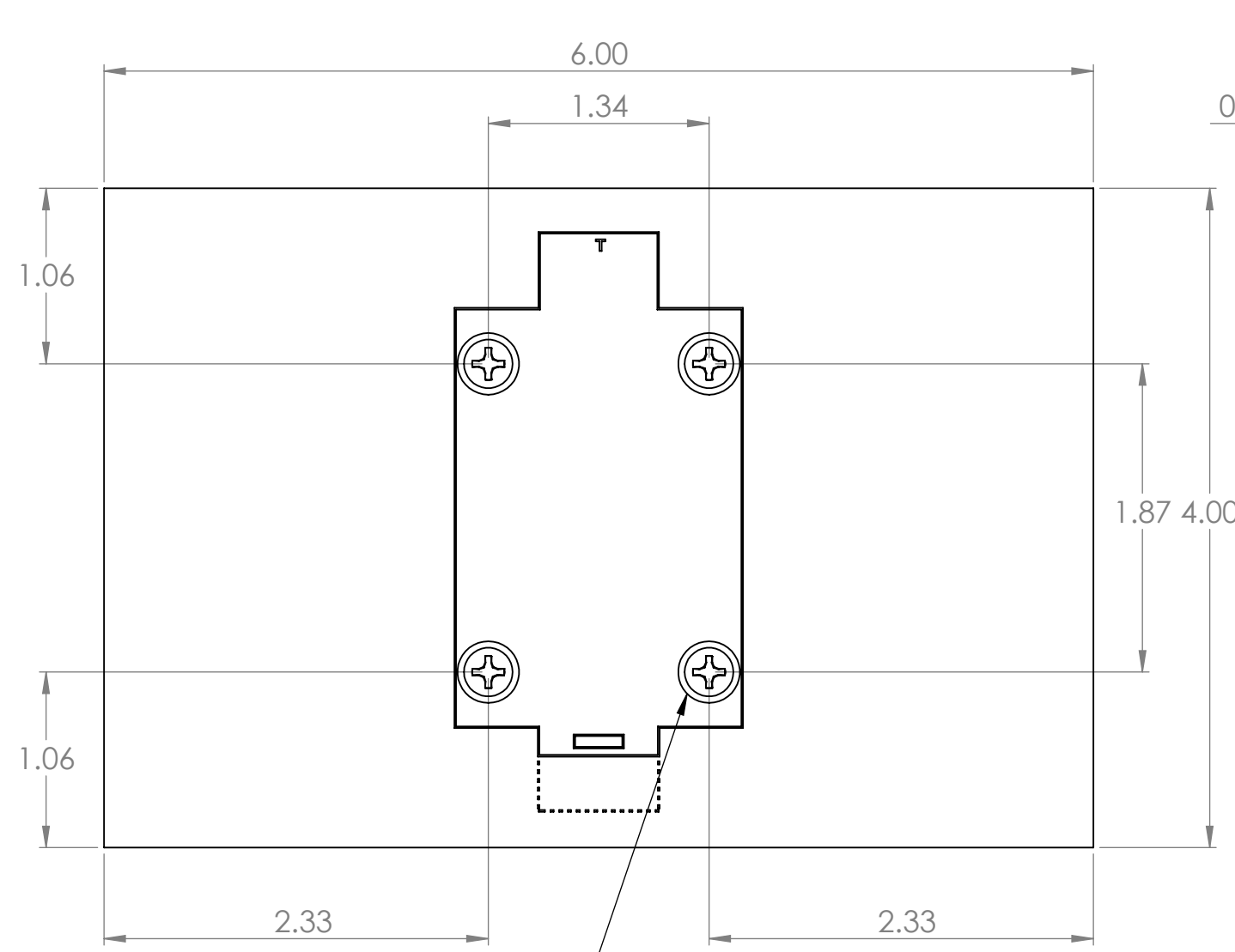
1

B

B


A

A



Release Slide Travel Extent

Ø0.374 COUNTERSINK TYP

DIM: INCH	DATE: 02/20/2024	RoHS COMPLIANT: Yes	DESCRIPTION: DIN Rail Mounting Plate 6" x 4"	
 WINFORD ENGINEERING, LLC 4561 GARFIELD ROAD AUBURN, MI 48611		PART NUMBER (S) DINP01-6040A		PART REVISION A
www.winford.com		989-671-9721		

4

3

2

1