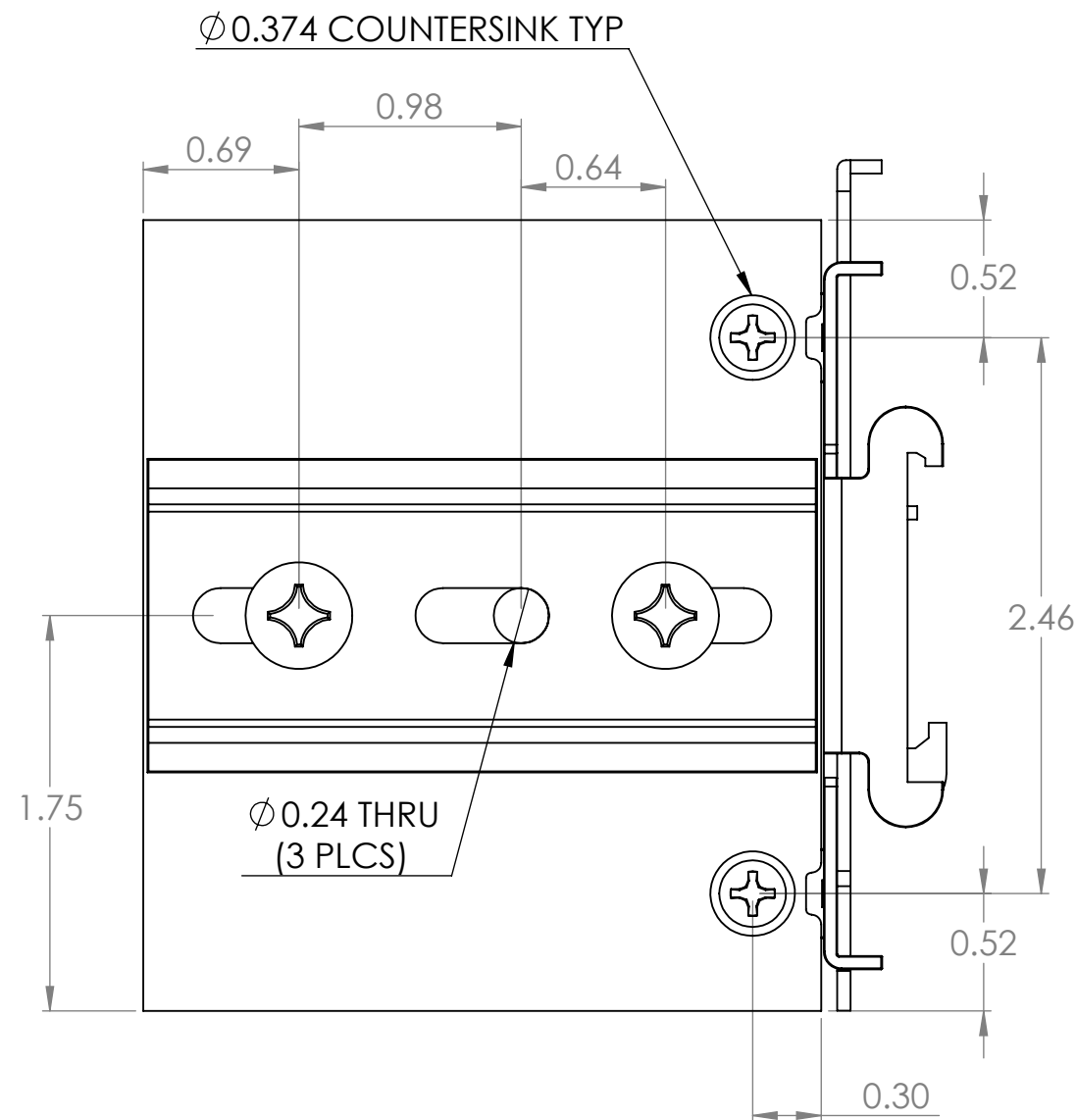
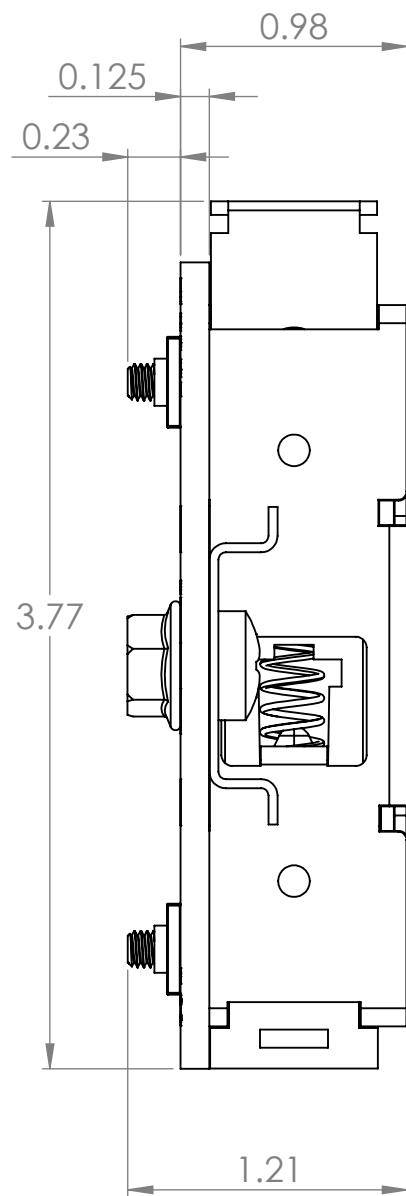
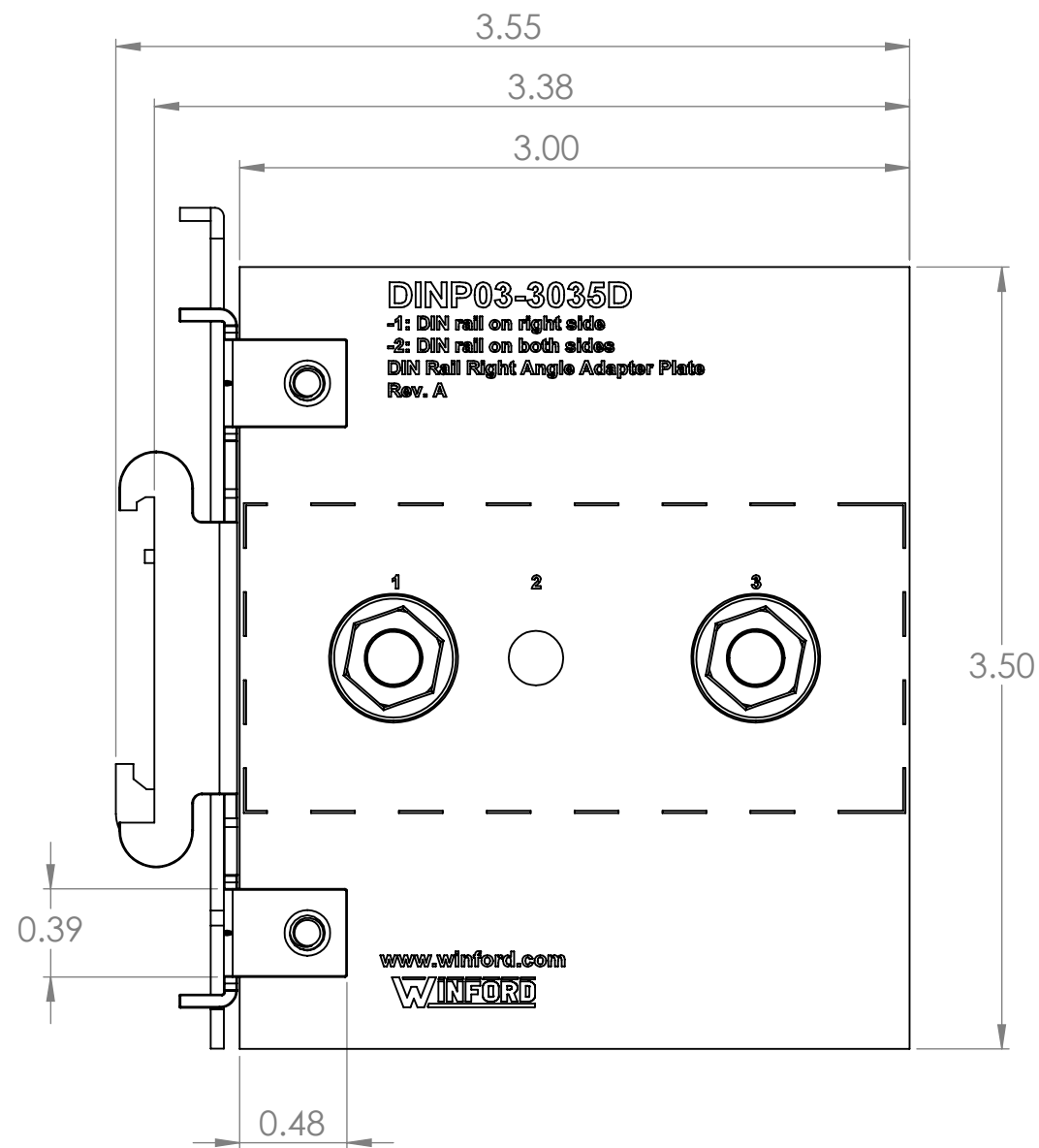


4

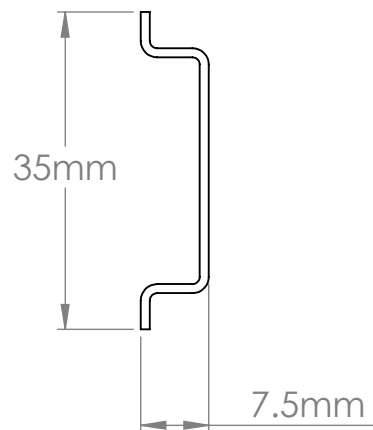
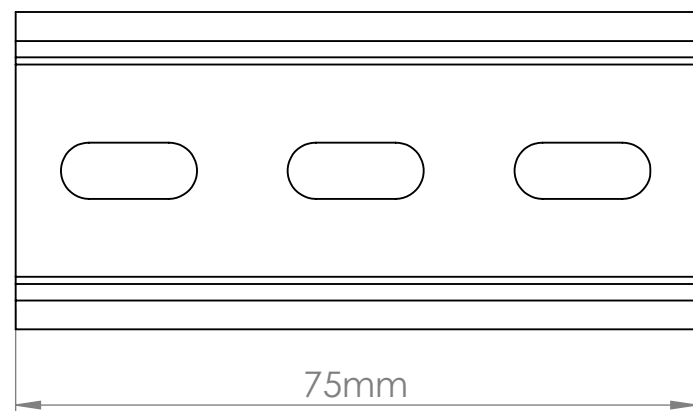
3


2

1



DIN RAIL DETAILS (1 PC PRE-INSTALLED)



DIM: INCH	DATE: 09/11/2023	RoHS COMPLIANT: Yes	DESCRIPTION: DIN Rail Mounting Plate R/A with 1 Rail
 WINFORD ENGINEERING, LLC 4561 GARFIELD ROAD AUBURN, MI 48611		PART NUMBER (S) DINP03-3035D-1	PART REVISION A
www.winford.com		989-671-9721	

4

3

2

1