

4

3

2

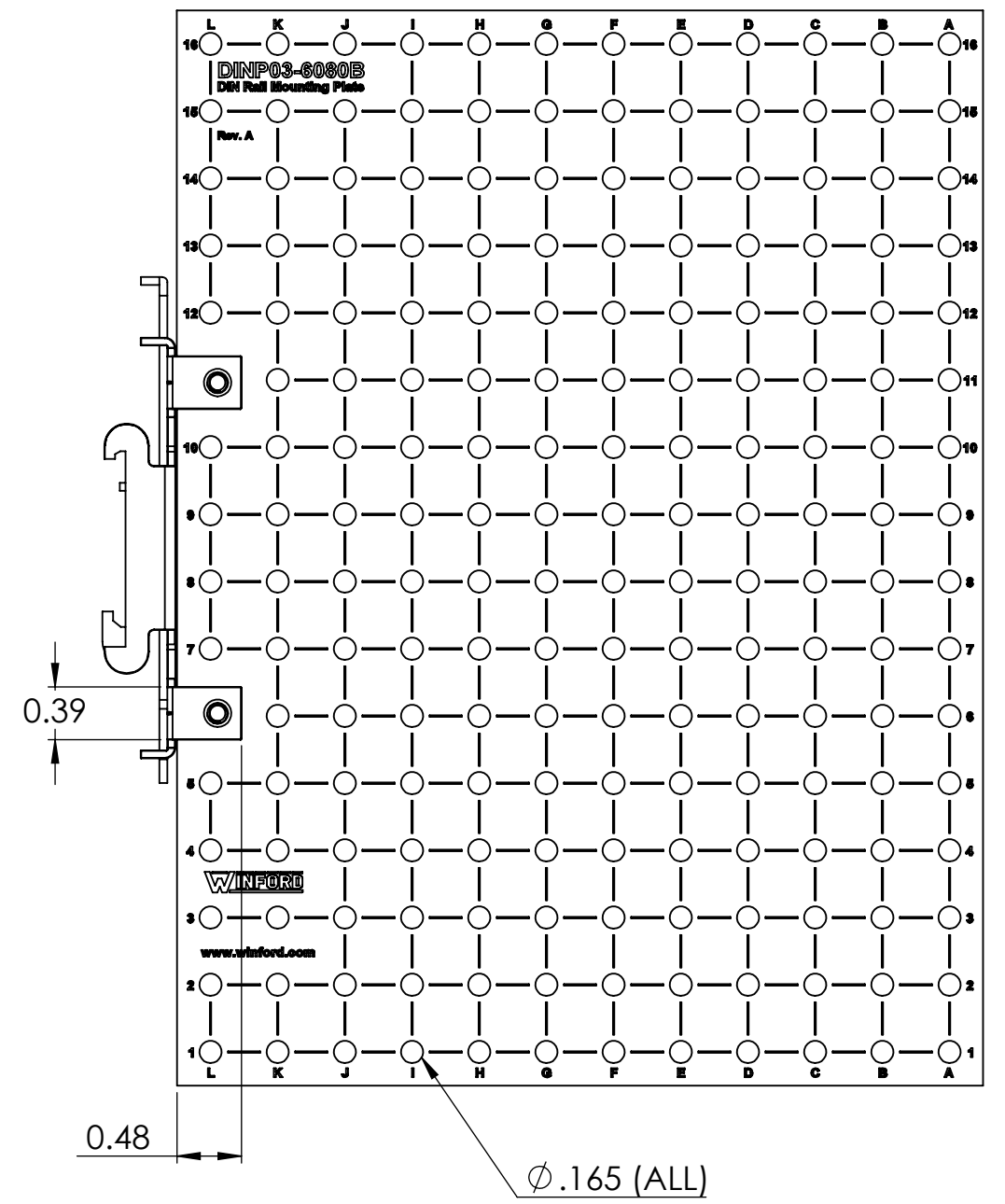
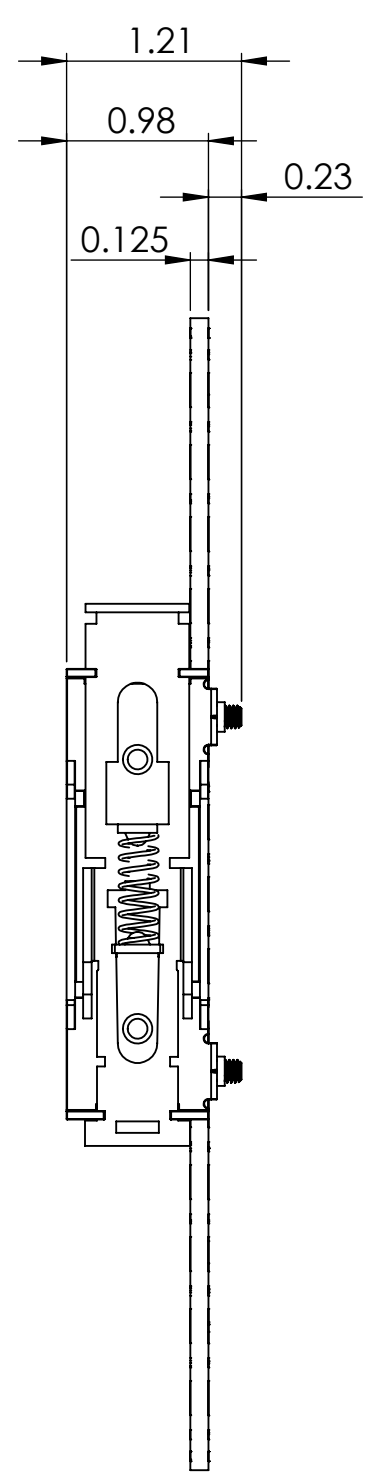
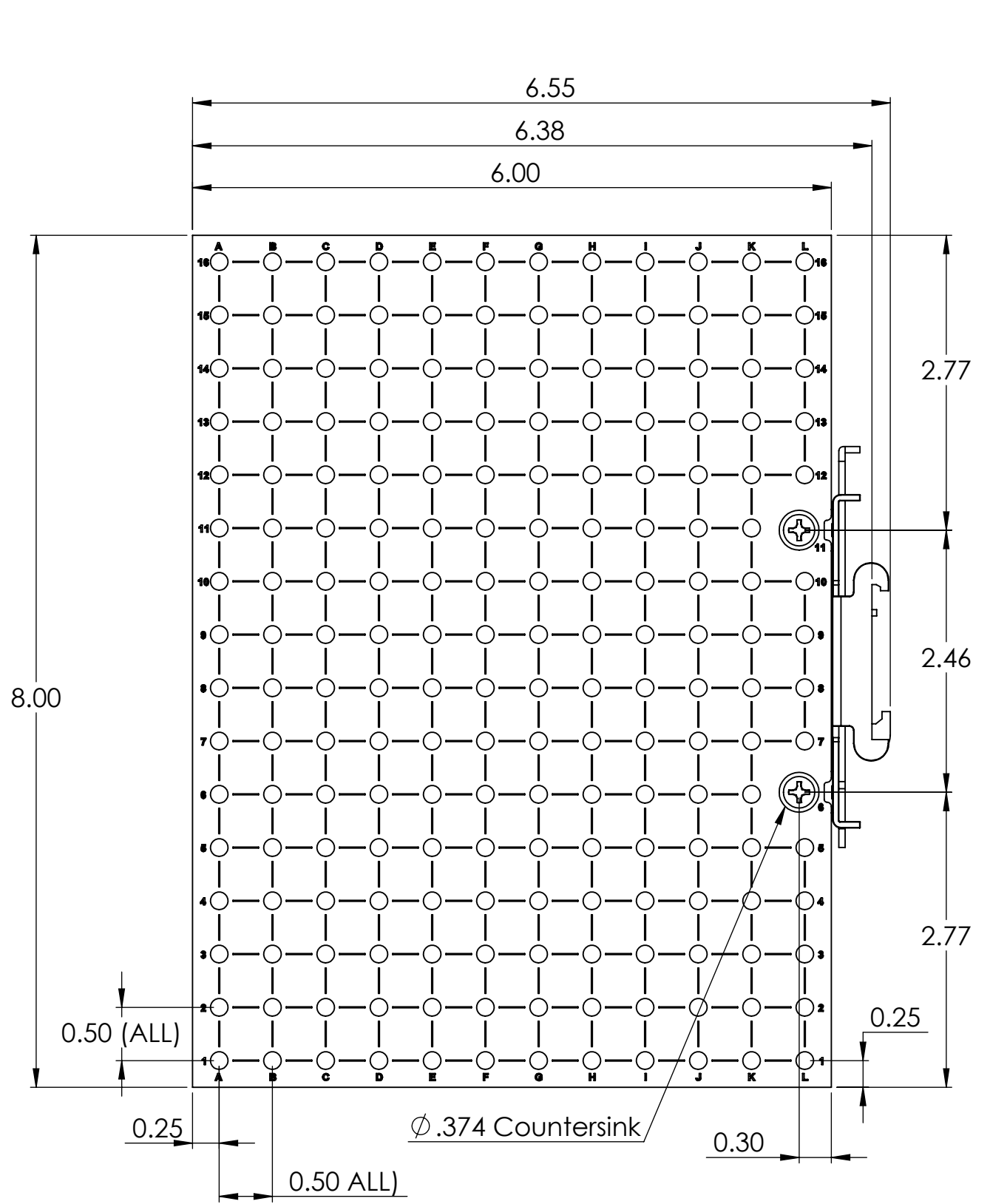
1


B

B

A

A



|  |                  |                     |                                 |
|--|------------------|---------------------|---------------------------------|
| DIM: INCH  | DATE: 05/11/2023 | RoHS COMPLIANT: Yes | DESCRIPTION:                    |
|  WINFORD ENGINEERING, LLC<br>4561 GARFIELD ROAD<br>AUBURN, MI 48611 |                  |                     | DIN Rail Mounting Plate 6" x 8" |
| www.winford.com  |                  | 989-671-9721        | PART NUMBER (S)                 |
|  |                  |                     | DINP03-6080B                    |
|  |                  |                     | PART REVISION                   |
|  |                  |                     | A                               |

4

3

2

1