

4

3

2

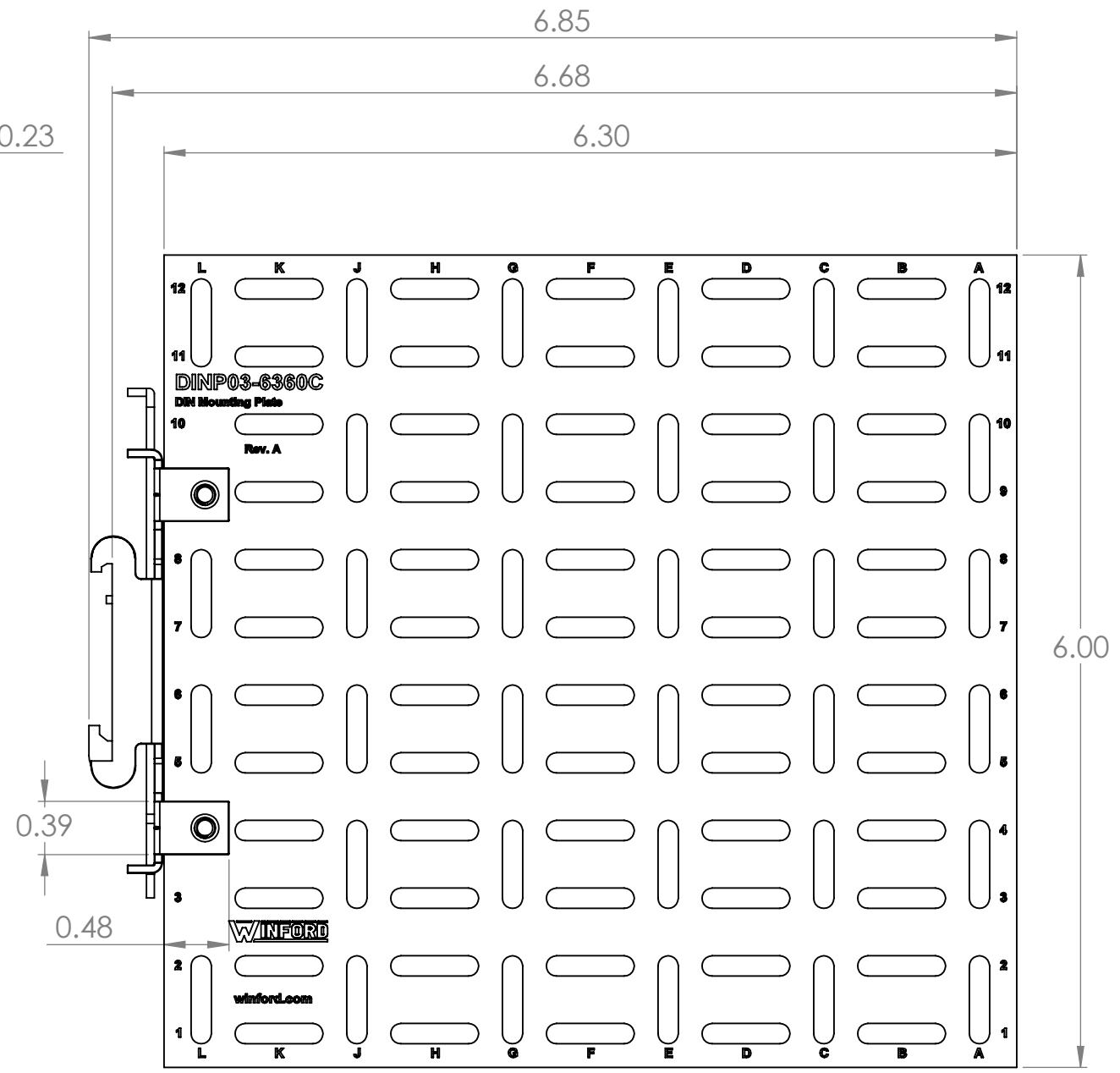
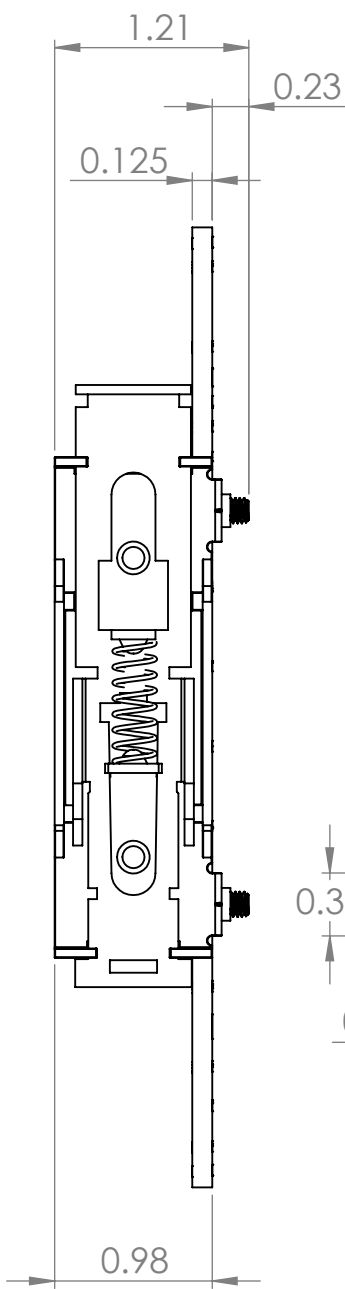
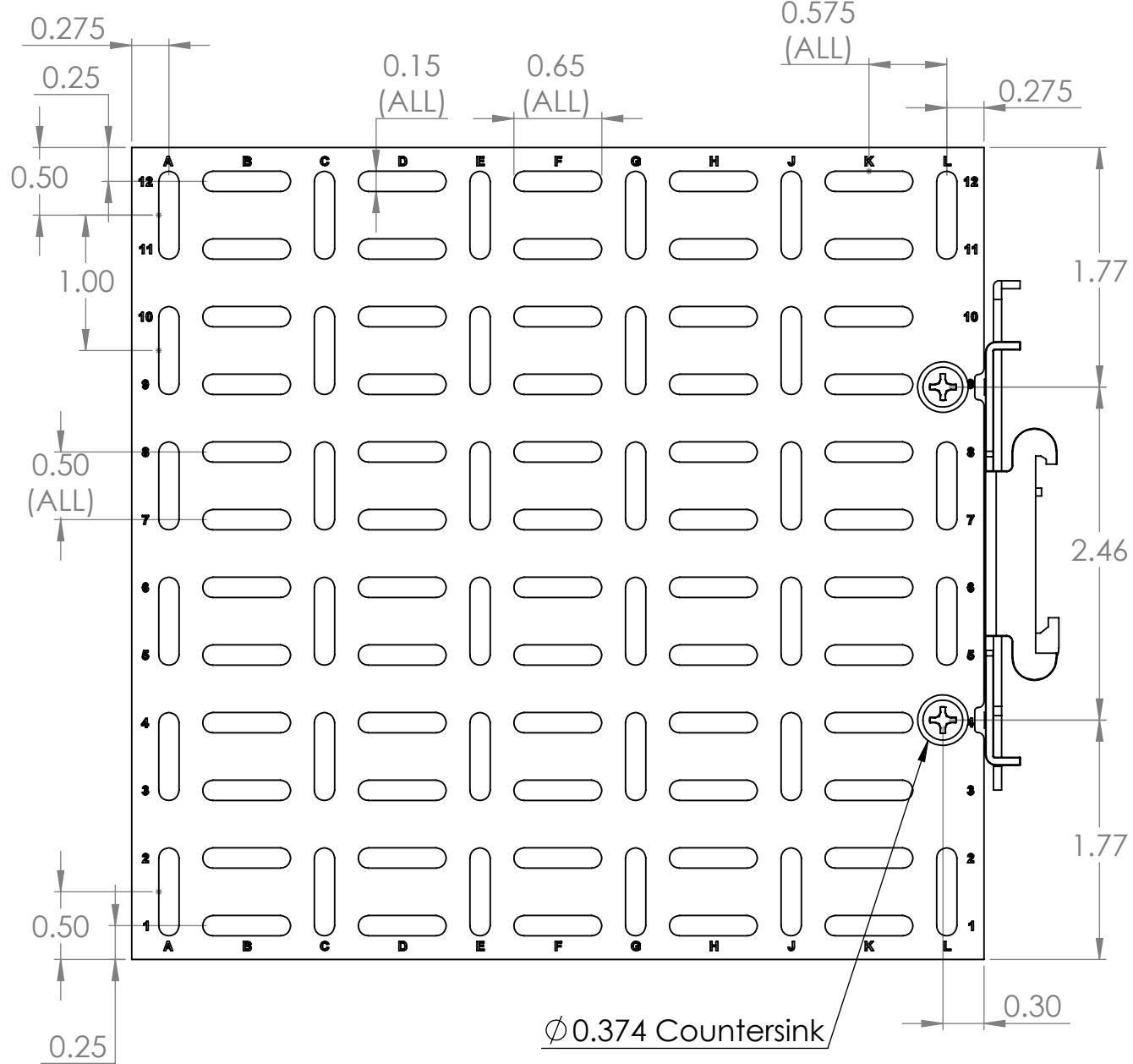
1


B

B

A

A



DIM: INCH	DATE: 08/16/2024	RoHS COMPLIANT: Yes	DESCRIPTION:
 WINFORD ENGINEERING, LLC 4561 GARFIELD ROAD AUBURN, MI 48611			DIN Mounting Plate 6.3" x 6.0"
www.winford.com		989-671-9721	PART NUMBER (S)
			DINP03-6360C
			PART REVISION
			A

4

3

2

1