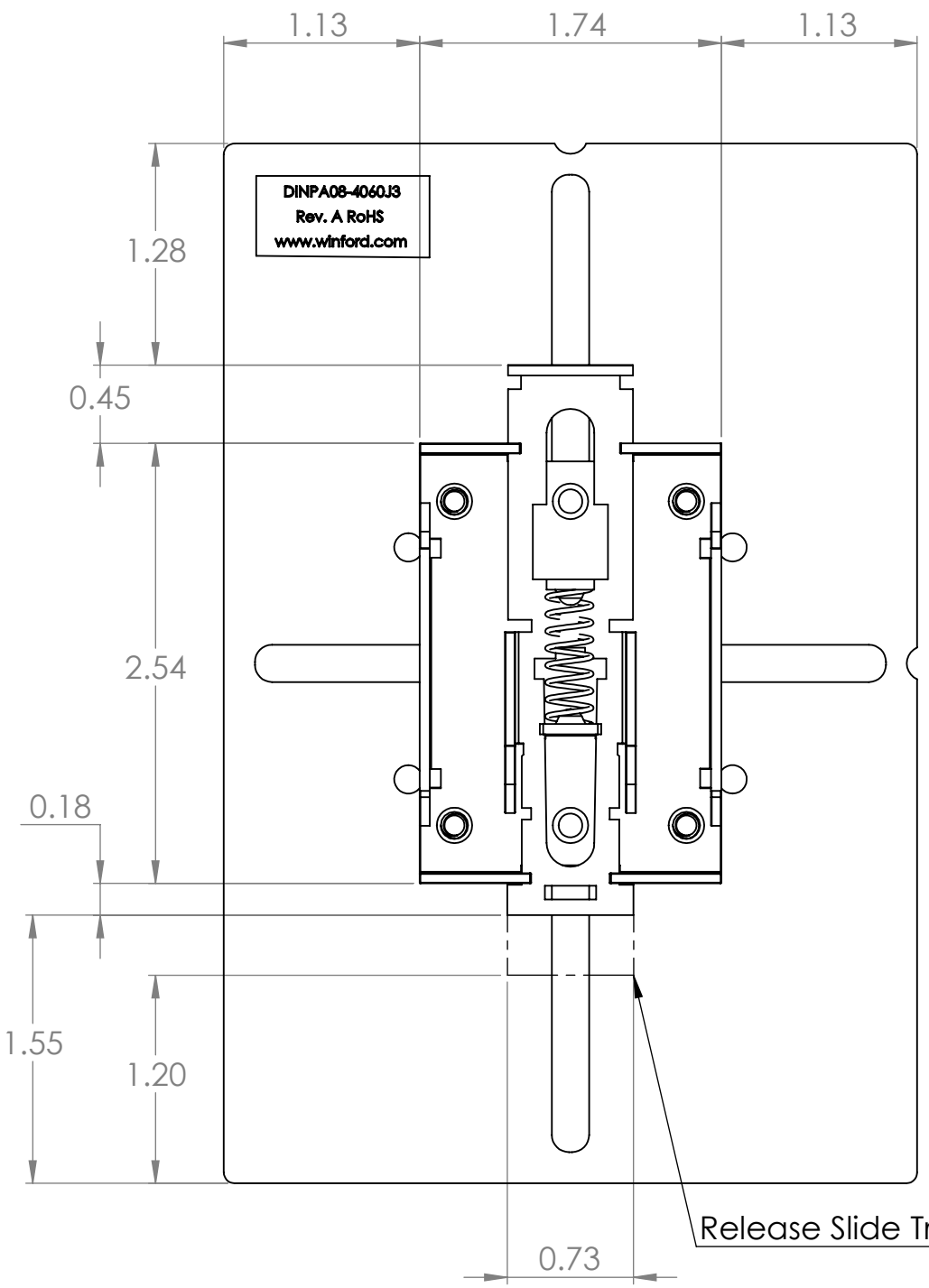
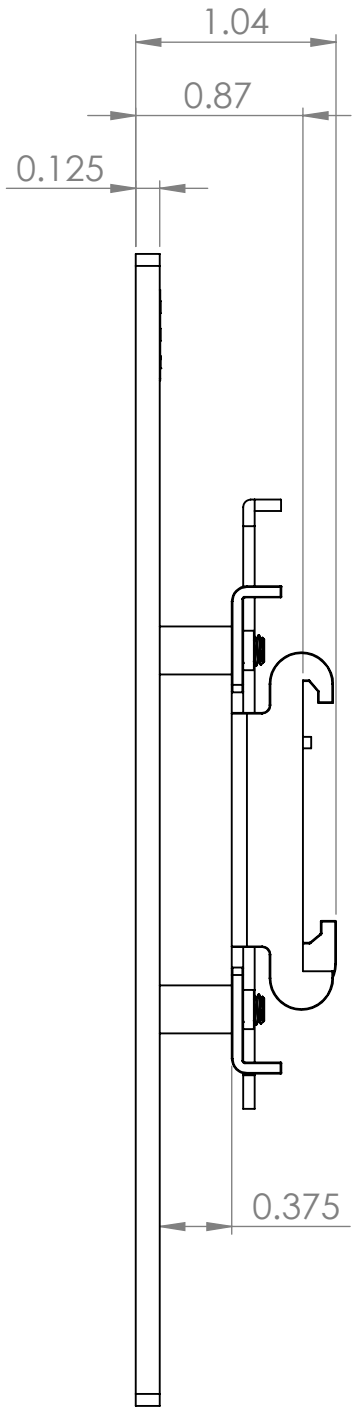
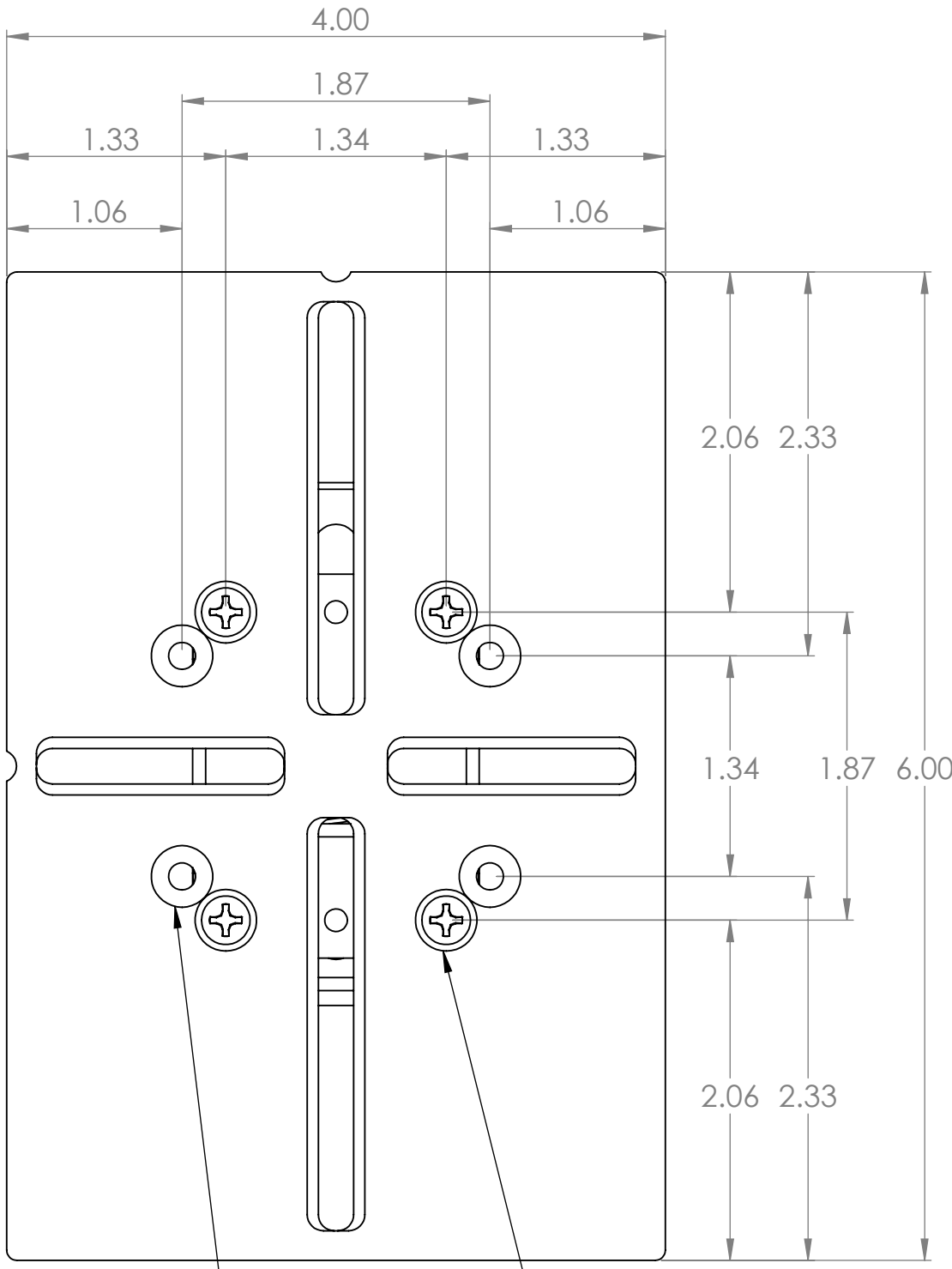


4

3

2


1



Alternate Set of Mounting Holes for Landscape Orientation (See page 2)

$\phi 0.374$ COUNTERSINK TYP

Release Slide Travel Extent

DIM: INCH	DATE: 09/16/2024	RoHS COMPLIANT: Yes	DESCRIPTION: DIN Rail Mounting Plate with slots for Cage Nuts
 WINFORD ENGINEERING, LLC 4561 GARFIELD ROAD AUBURN, MI 48611		PART NUMBER (S) DINPA08-4060J3	PART REVISION A
www.winford.com		989-671-9721	

4

3

2

1

4

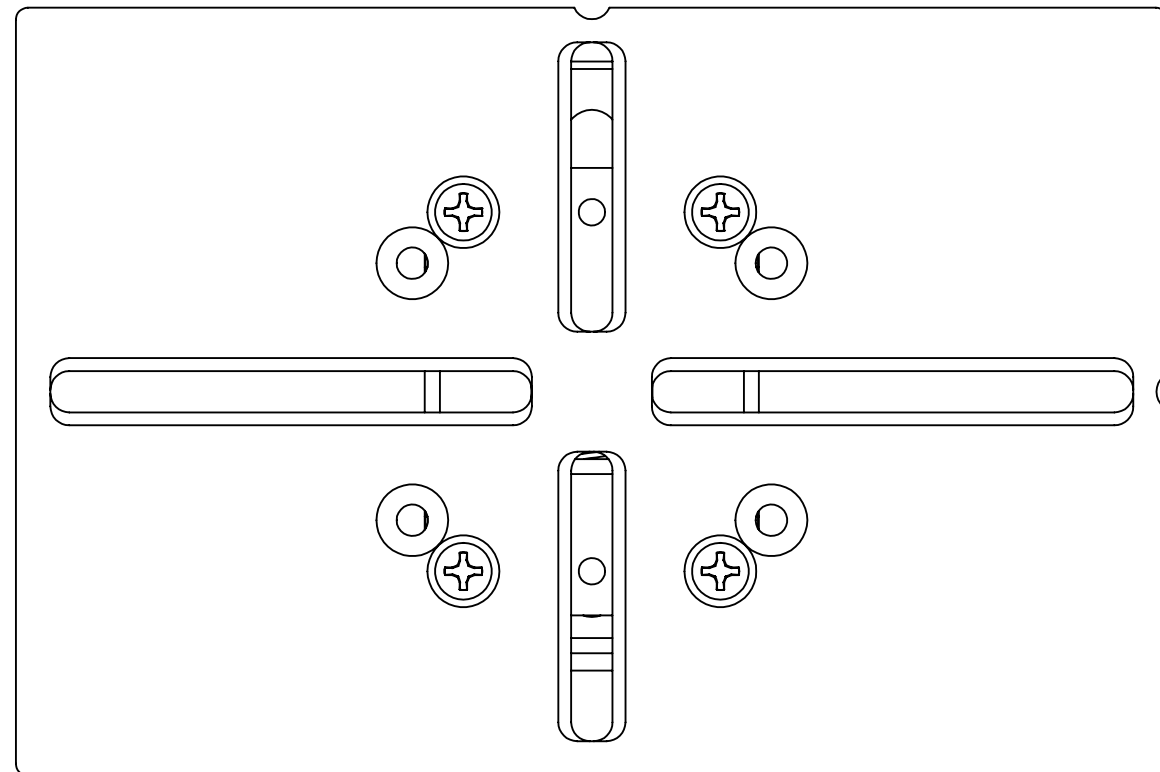
3

2

1

B

B




Alternate Orientation (Landscape)

Note: Product ships as portrait orientation; reconfiguration for the landscape orientation above requires customer to modify the product by removing all four mounting screws and reinstalling in the alternate position.

A

A

DIM: INCH	DATE: 09/16/2024	RoHS COMPLIANT: Yes	DESCRIPTION: DIN Rail Mounting Plate with slots for Cage Nuts	
 WINFORD ENGINEERING, LLC 4561 GARFIELD ROAD AUBURN, MI 48611		PART NUMBER (S)		PART REVISION
		DINPA08-4060J3		A
www.winford.com		989-671-9721		

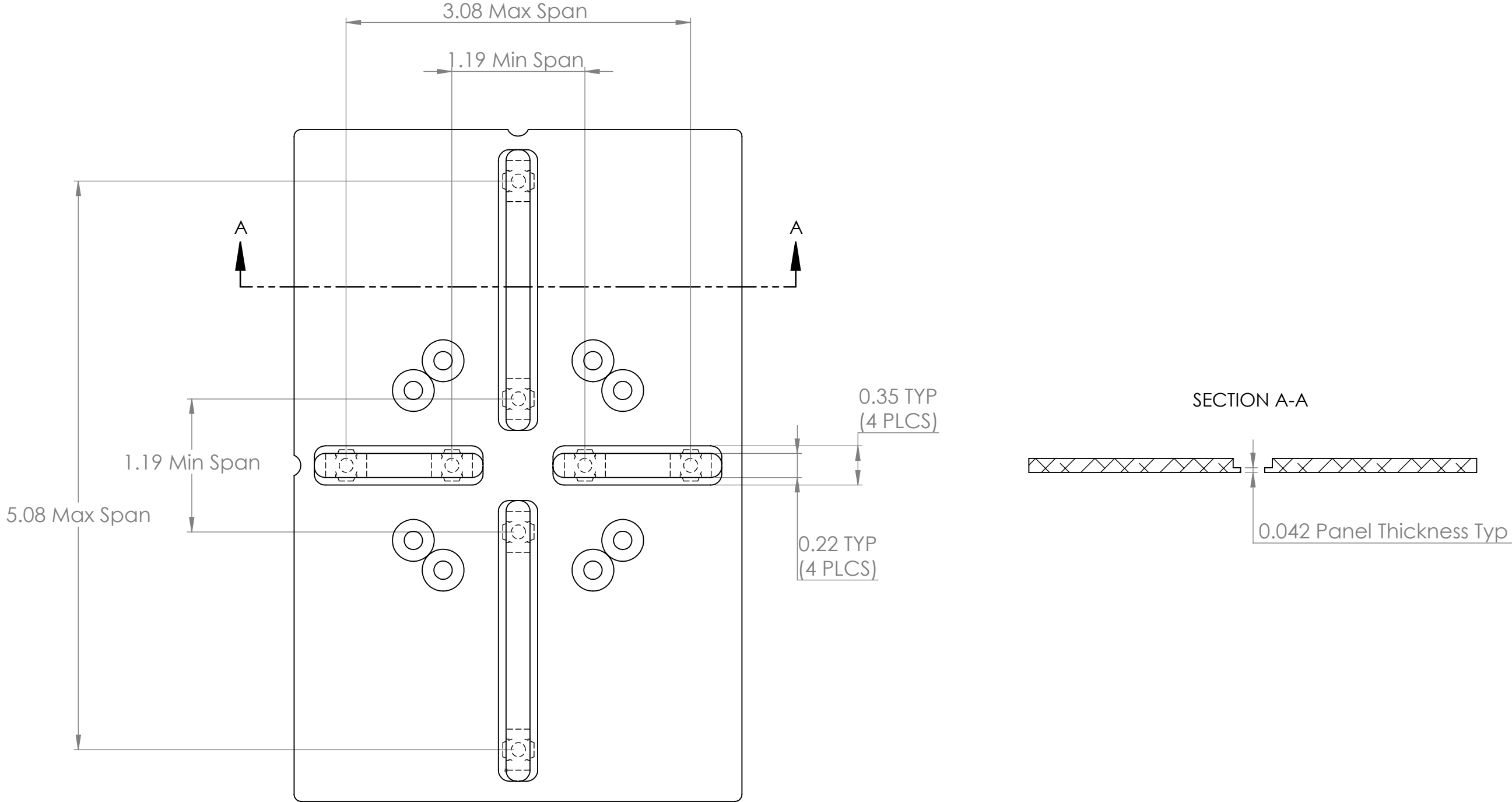
4


3

2

1

Cage Nut Mounting Slot Dimensions



DIM: INCH	DATE: 09/16/2024	RoHS COMPLIANT: Yes	DESCRIPTION:
 WINFORD ENGINEERING, LLC 4561 GARFIELD ROAD AUBURN, MI 48611			DIN Rail Mounting Plate with slots for Cage Nuts
www.winford.com		989-671-9721	PART NUMBER (S)
			DINPA08-4060J3
			PART REVISION
			A