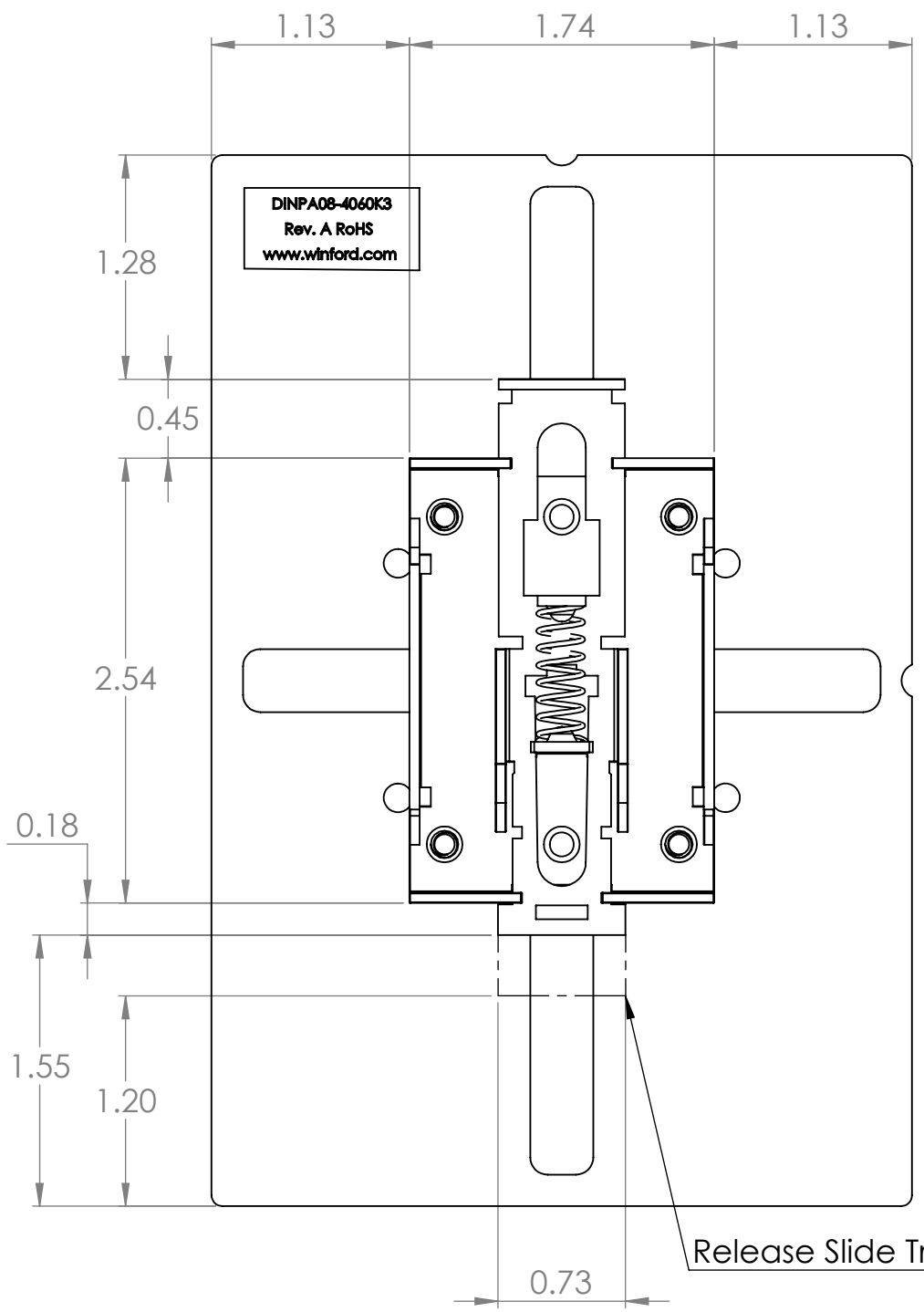
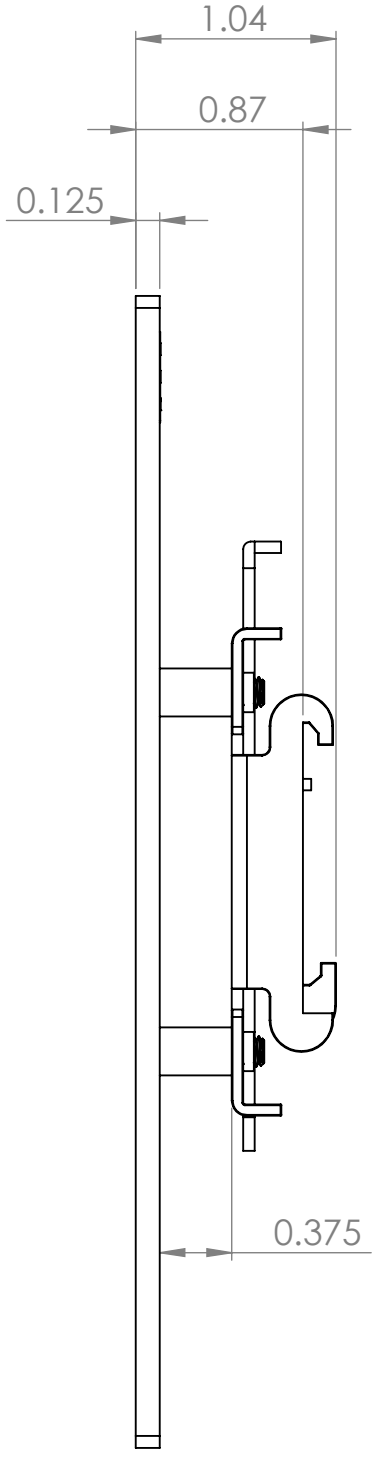
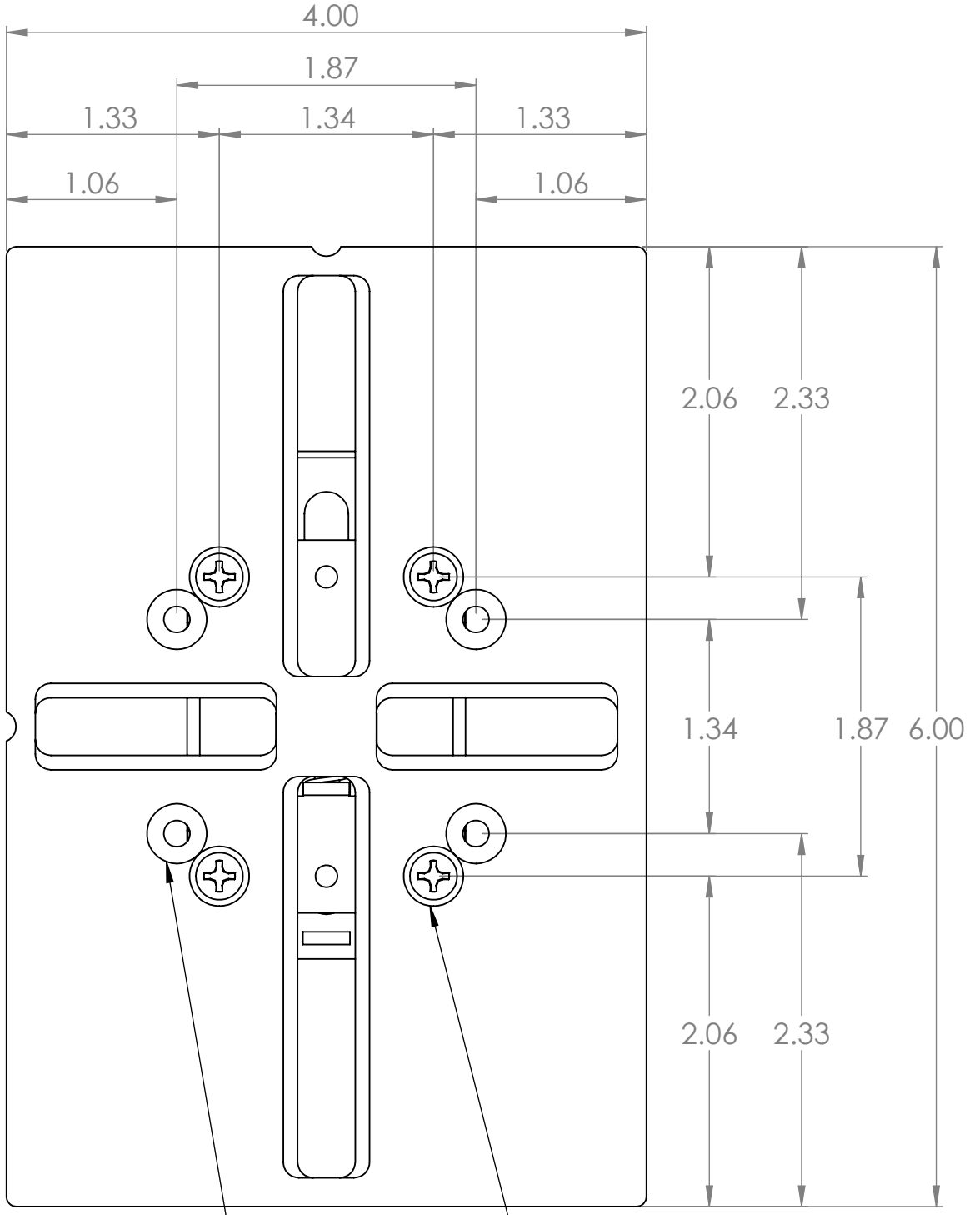


4

3

2


1



Alternate Set of Mounting Holes for Landscape Orientation (See page 2)

Ø0.374 COUNTERSINK TYP

Release Slide Travel Extent

DIM: INCH	DATE: 09/16/2024	RoHS COMPLIANT: Yes	DESCRIPTION: DIN Rail Mounting Plate with slots for Cage Nuts
 WINFORD ENGINEERING, LLC 4561 GARFIELD ROAD AUBURN, MI 48611			PART NUMBER (S) DINPA08-4060K3
www.winford.com		989-671-9721	PART REVISION A

4

3

2

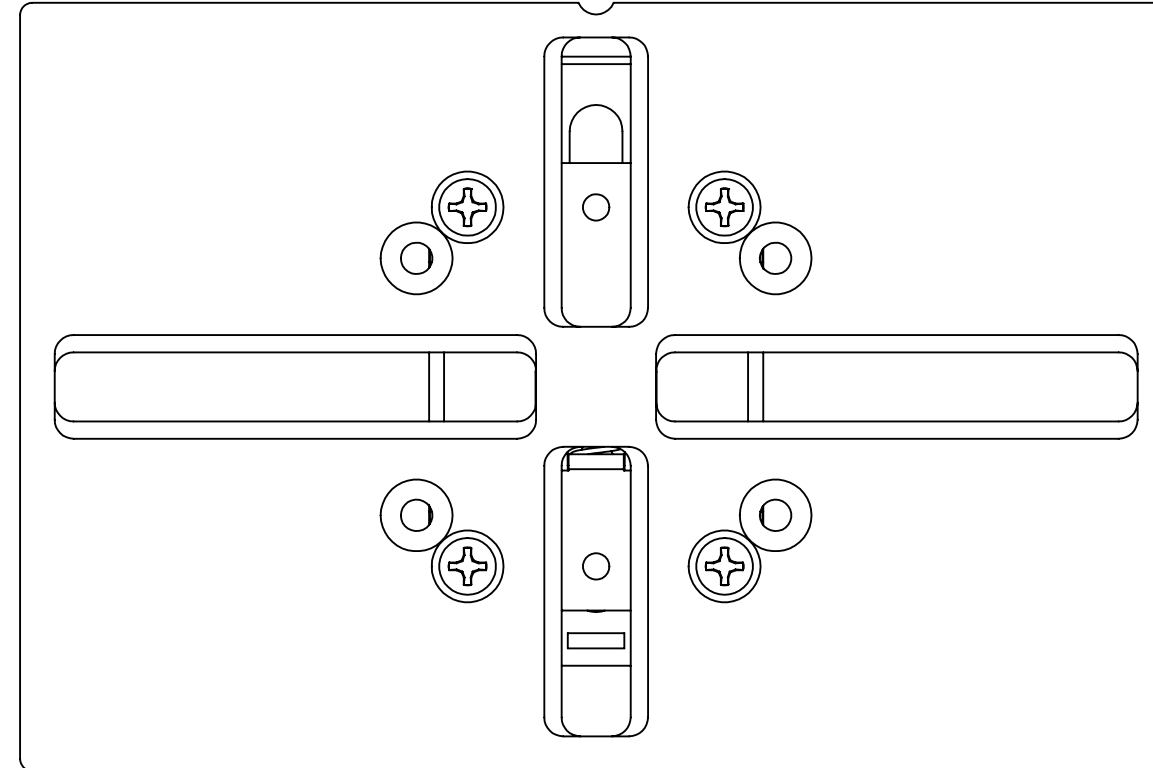
1

4

3


2

1



Alternate Orientation (Landscape)

Note: Product ships as portrait orientation; reconfiguration for the landscape orientation above requires customer to modify the product by removing all four mounting screws and reinstalling in the alternate position.

DIM: INCH	DATE: 09/16/2024	RoHS COMPLIANT: Yes	DESCRIPTION: DIN Rail Mounting Plate with slots for Cage Nuts
 WINFORD ENGINEERING, LLC 4561 GARFIELD ROAD AUBURN, MI 48611			PART NUMBER (S) DINPA08-4060K3
www.winford.com		989-671-9721	PART REVISION A

4

3

2

1

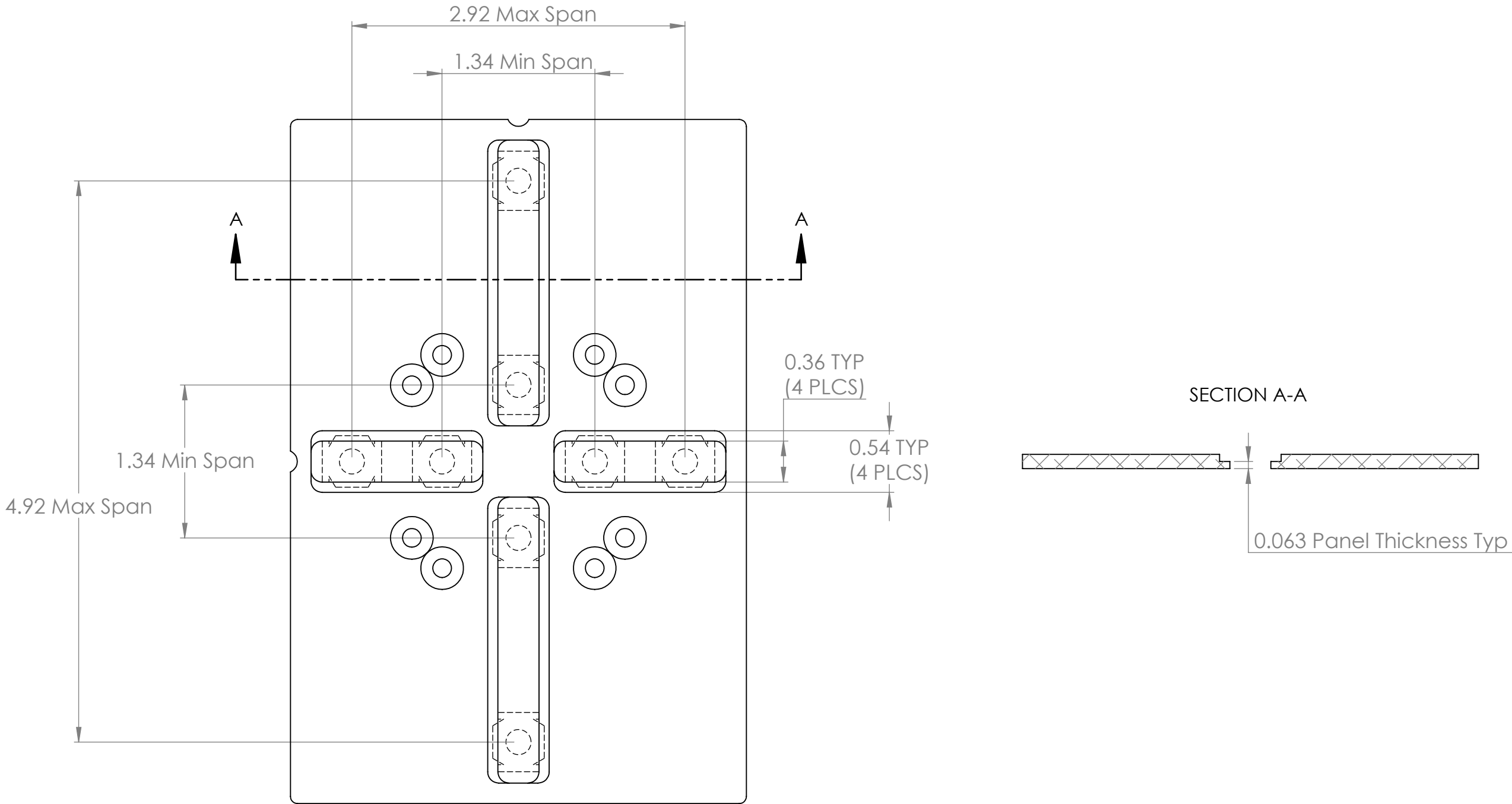
B


B

A

A

Cage Nut Mounting Slot Dimensions



DIM: INCH	DATE: 09/16/2024	RoHS COMPLIANT: Yes	DESCRIPTION: DIN Rail Mounting Plate with slots for Cage Nuts
 WINFORD ENGINEERING, LLC 4561 GARFIELD ROAD AUBURN, MI 48611			PART NUMBER (S) DINPA08-4060K3
www.winford.com		989-671-9721	PART REVISION A