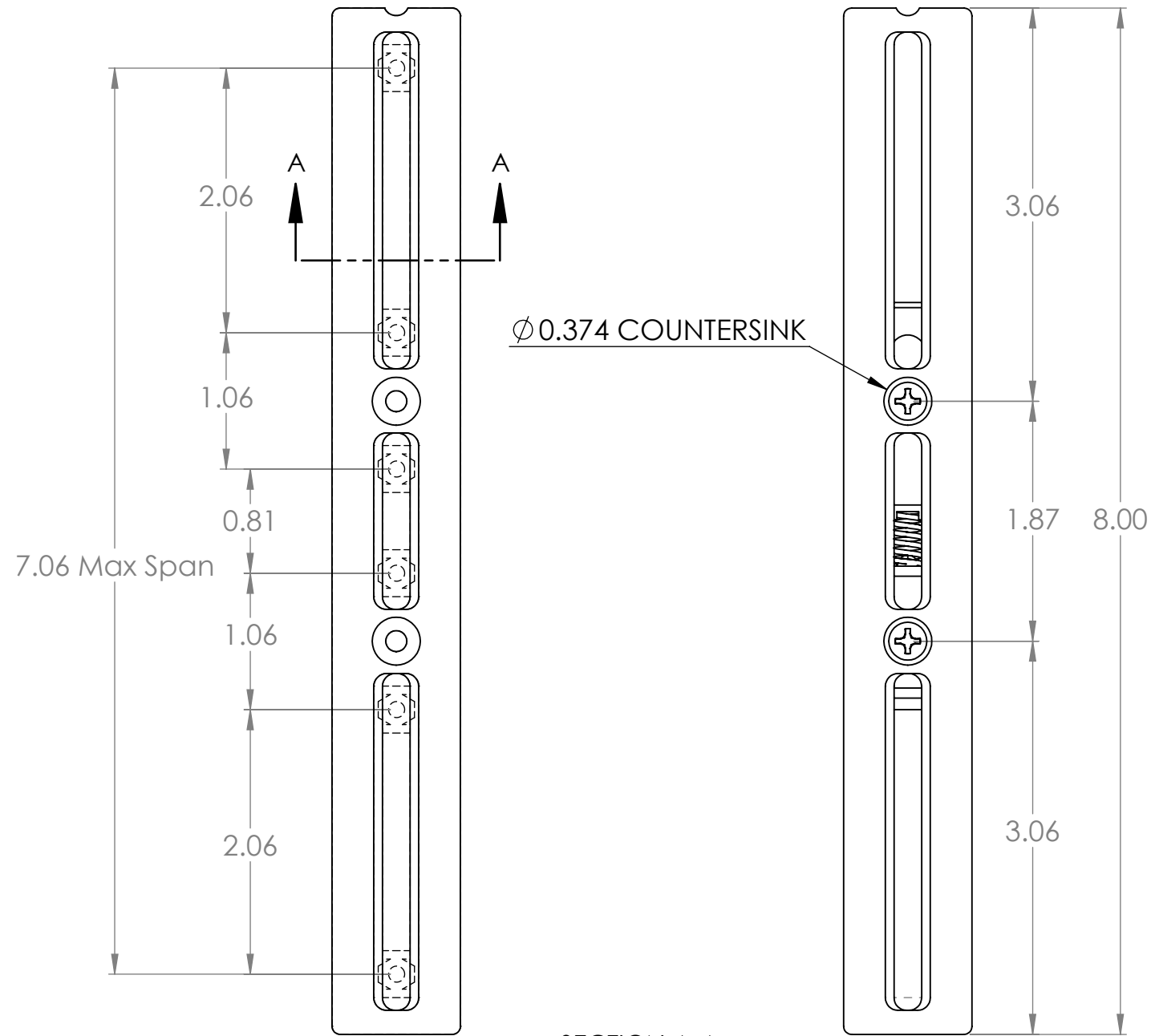
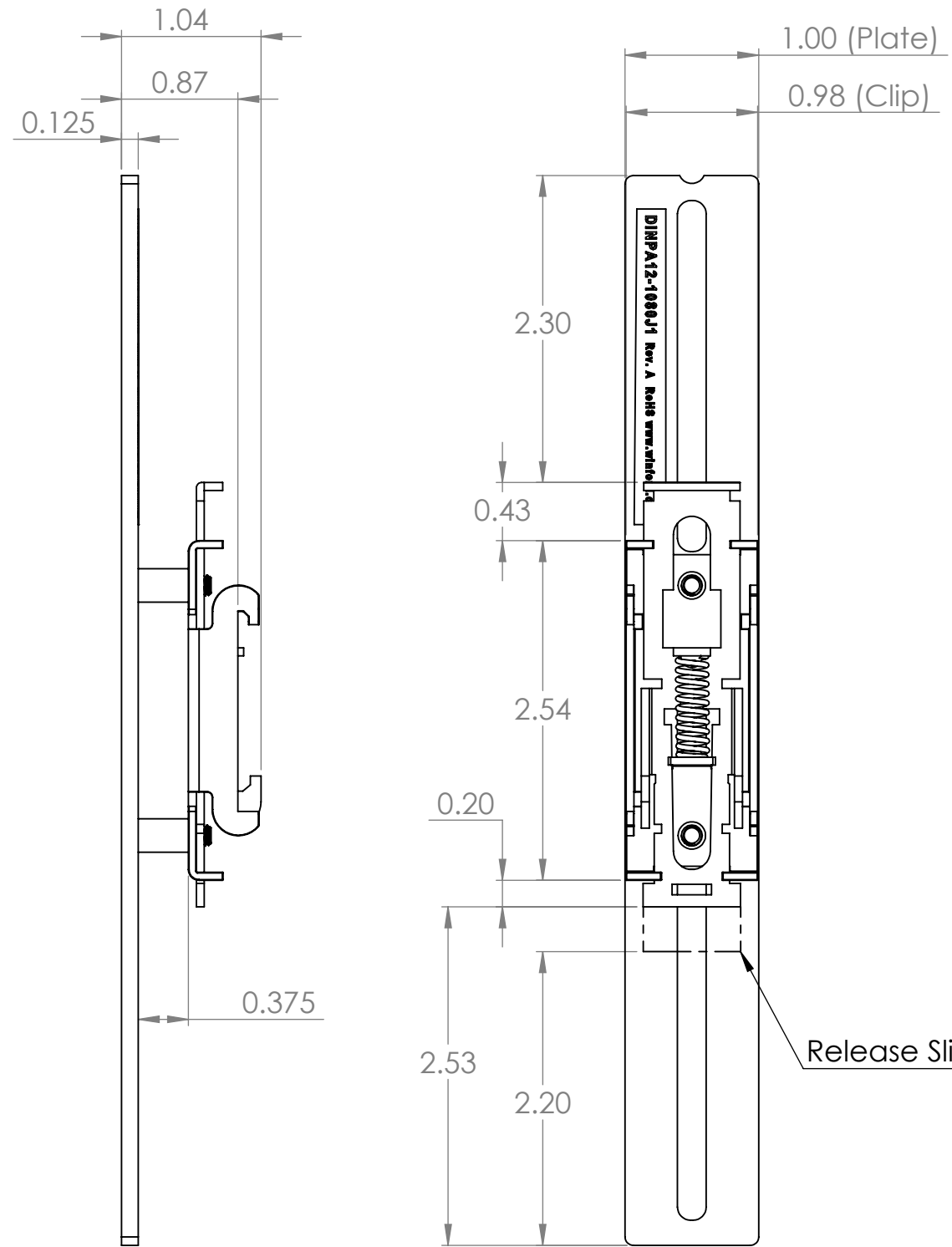


# Cage Nut Mounting Slot Dimensions



SECTION A-A

0.042 Panel  
Thickness Typ



DIM: INCH	DATE: 08/09/2024	RoHS COMPLIANT: Yes	DESCRIPTION:
WINFORD ENGINEERING, LLC 4561 GARFIELD ROAD AUBURN, MI 48611			DIN Rail Mounting Plate with slots for Cage Nuts
www.winford.com		989-671-9721	PART NUMBER (S)
			DINPA12-1080J1
			PART REVISION
			A