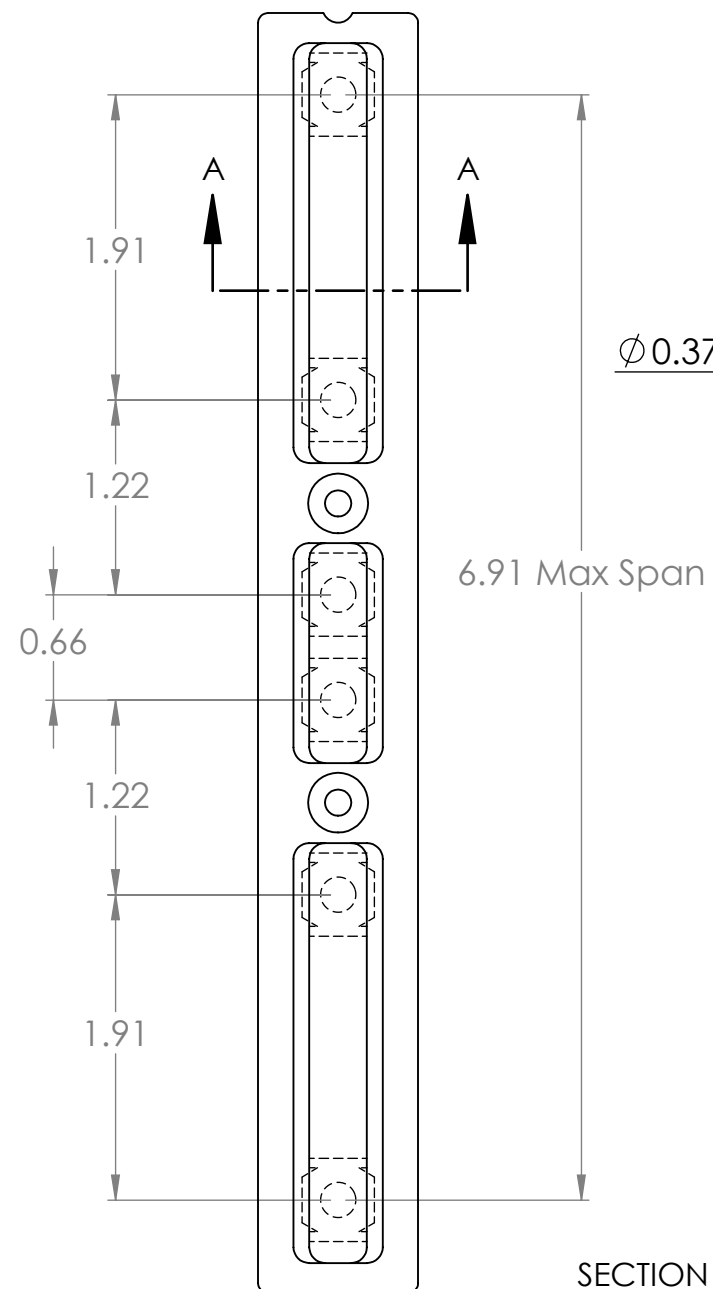
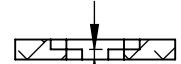


Cage Nut Mounting Slot Dimensions

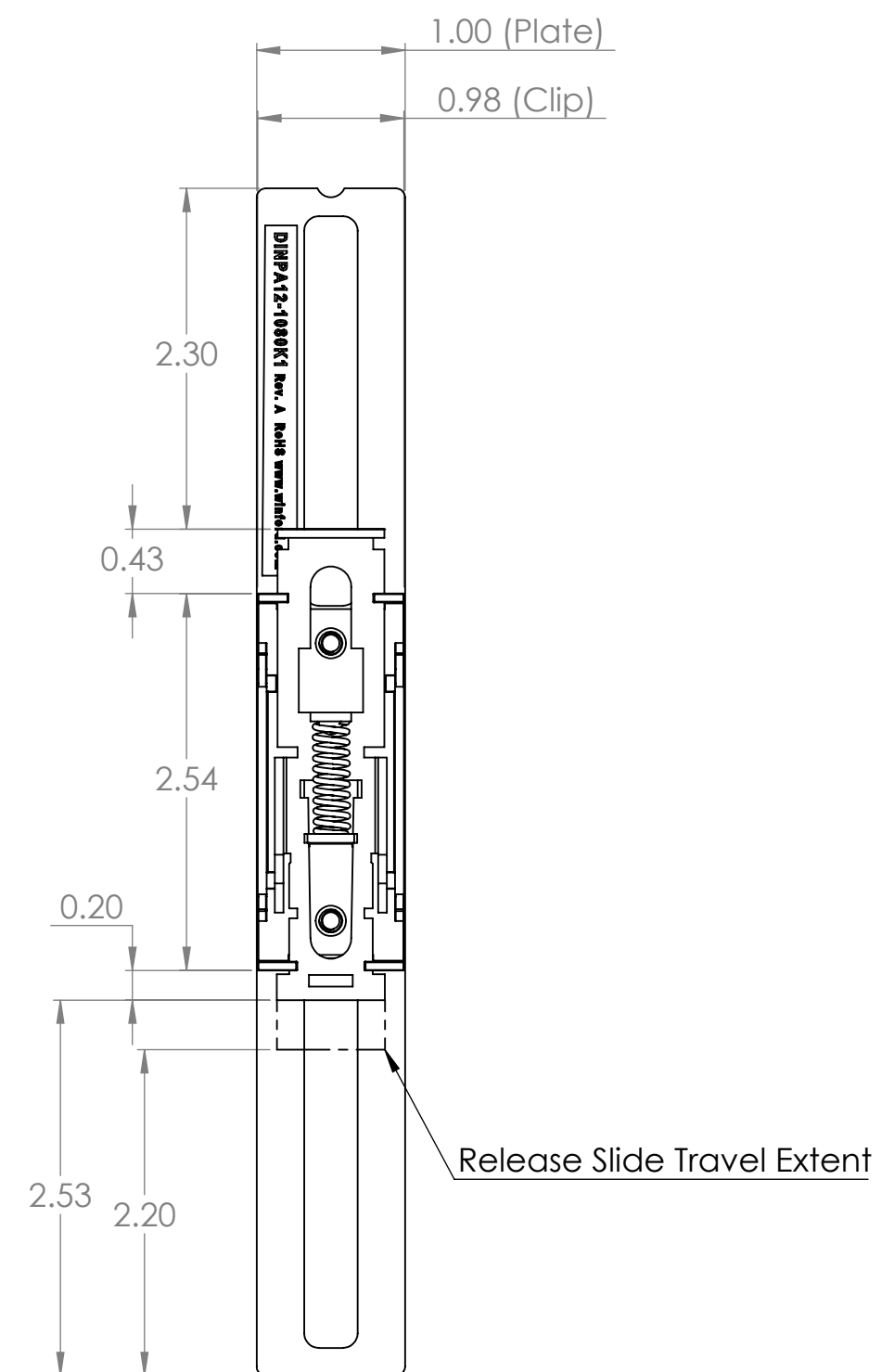
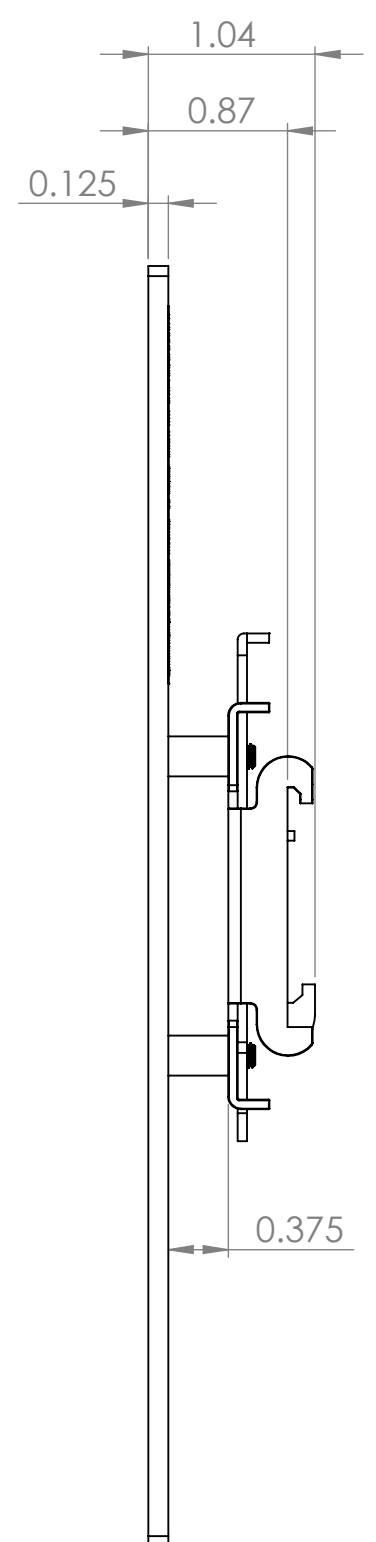
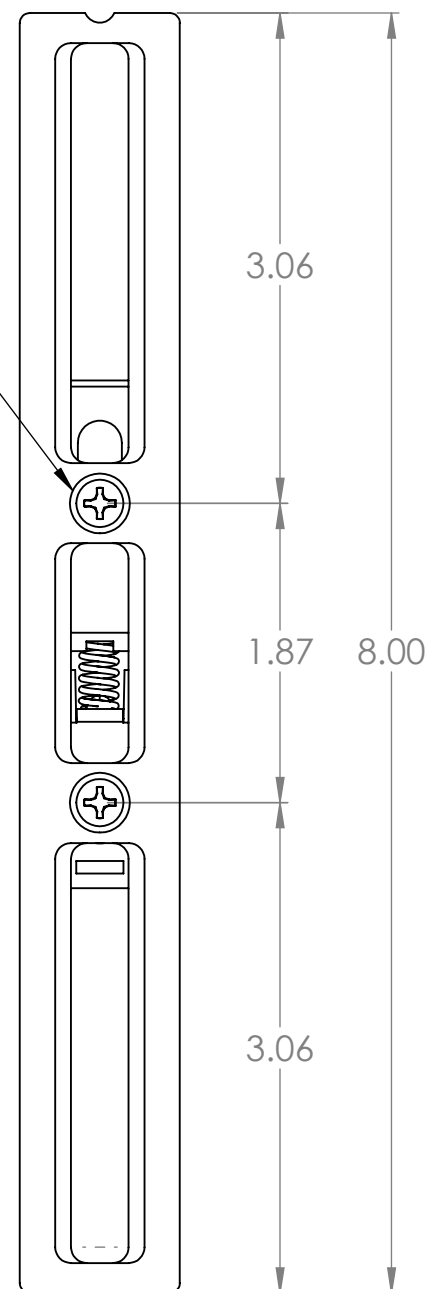


Ø0.374 COUNTERSINK


SECTION A-A



0.063 Panel
Thickness Typ



Release Slide Travel Extent

DIM: INCH	DATE: 08/13/2024	RoHS COMPLIANT: Yes	DESCRIPTION: DIN Rail Mounting Plate with slots for Cage Nuts
		WINFORD ENGINEERING, LLC 4561 GARFIELD ROAD AUBURN, MI 48611	PART NUMBER (S) DINPA12-1080K1
www.winford.com		989-671-9721	PART REVISION A