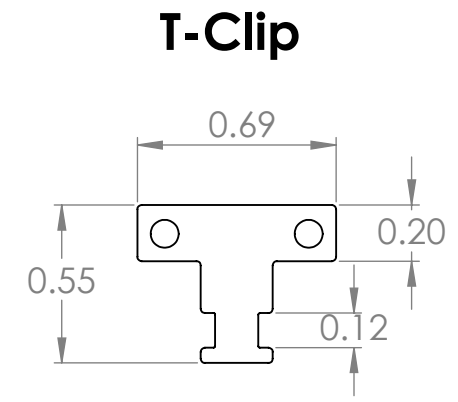
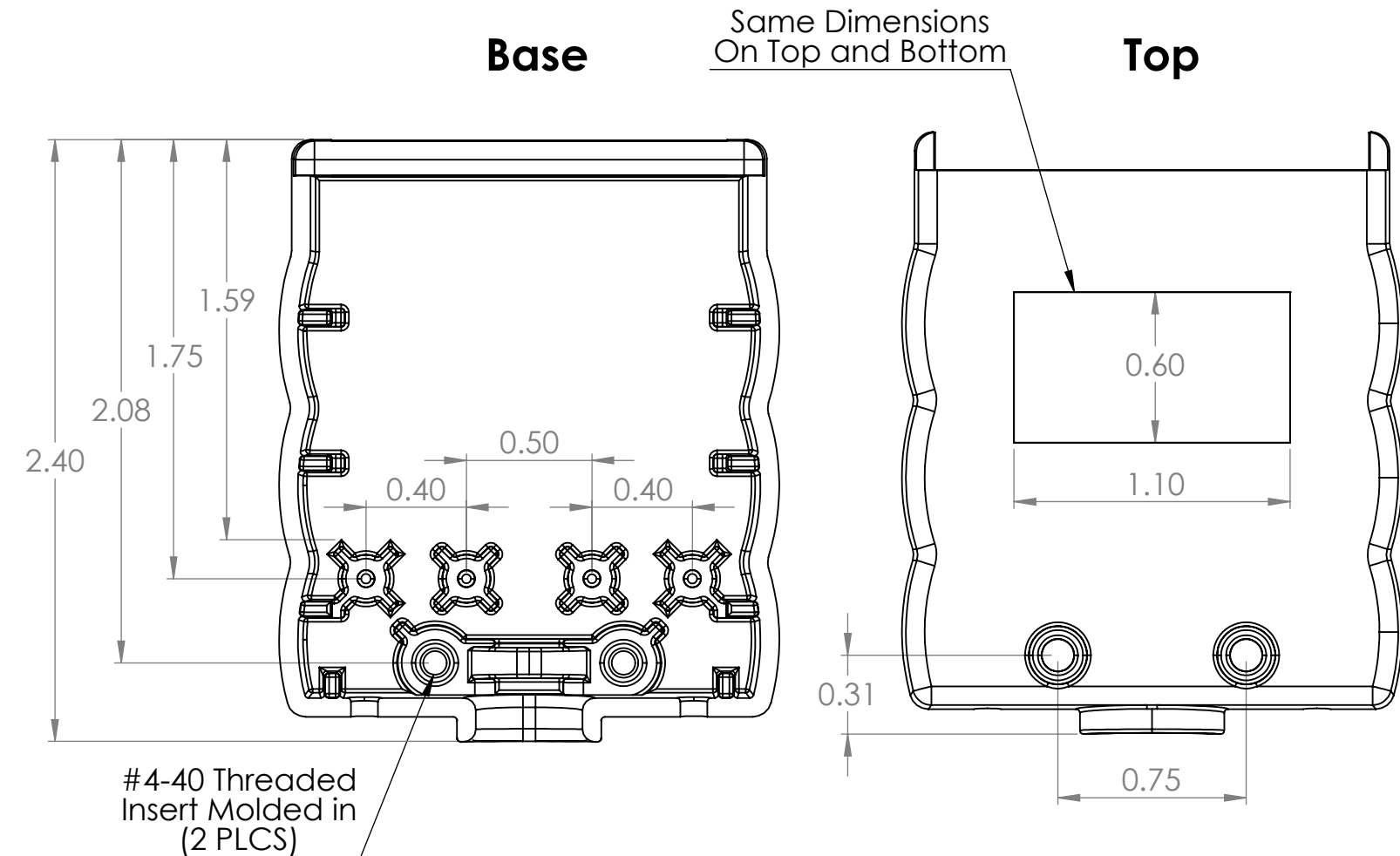


Note: See also "Recommended PCB Drawing to fit ECB15A1 Enclosure"

4 3 2 1

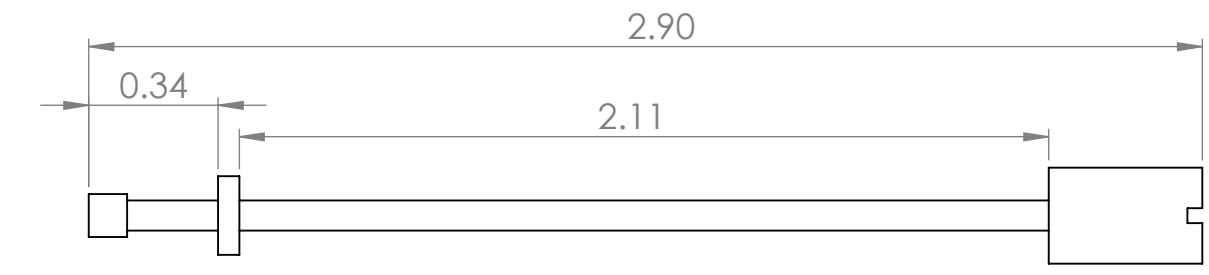
B

B



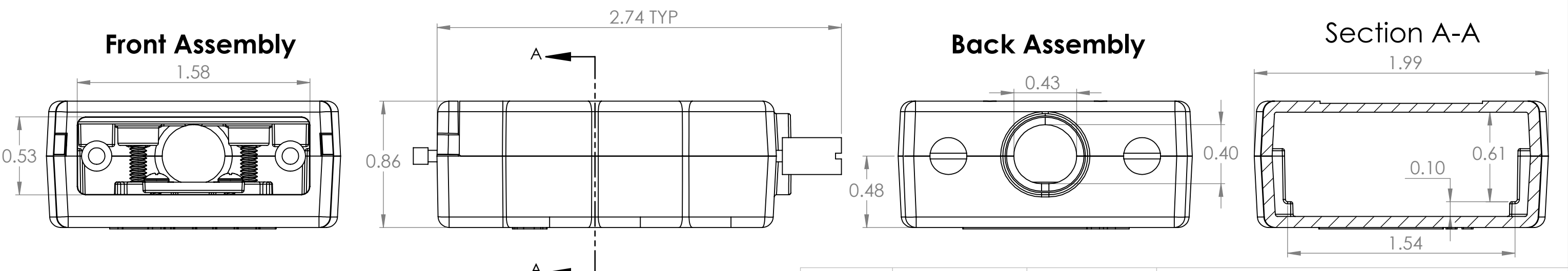
#4-40 Pan-Head, 5/8" For Case Enclosure (Qty:2)	
#2-28 Pan Head, 1/4" For Board Mount, T-Clip (Qty:2)	
0.1" Zip Tie, 4" For Wire Strain Relief (Qty:1)	

#4-40 Thumbscrew, 2.90"
(Qty: 2)



A

A



4 3 2 1

DIM: INCH	DATE: 02/16/2022	RoHS COMPLIANT: Yes	DESCRIPTION:
			DB15 PCB Enclosure Kit
www.winford.com		989-671-9721	PART NUMBER (S)
			ECB15A1-T
			PART REVISION
			A