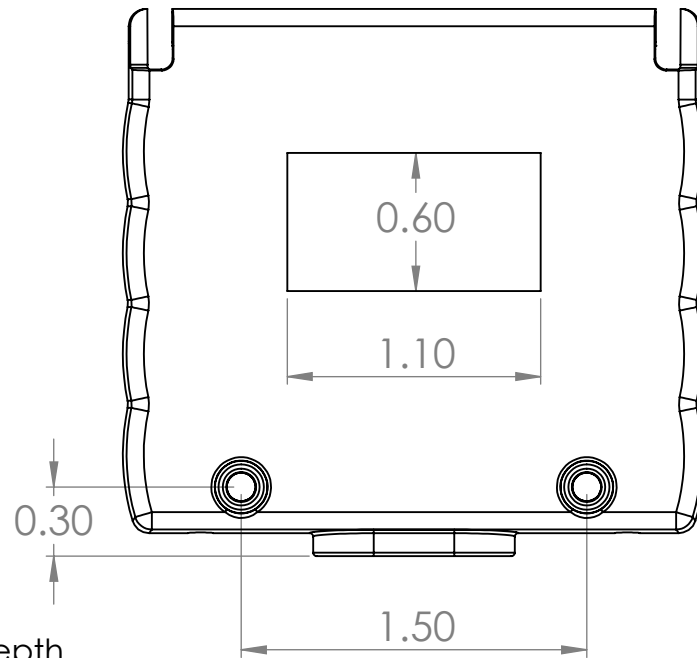
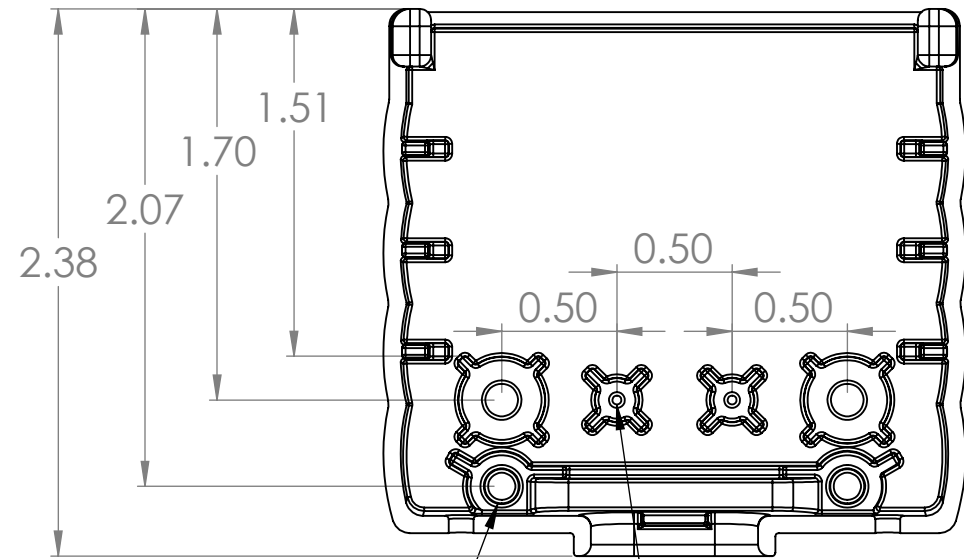


Note: See also "Recommended PCB Drawing to fit ECB25A1 Enclosure"

Base

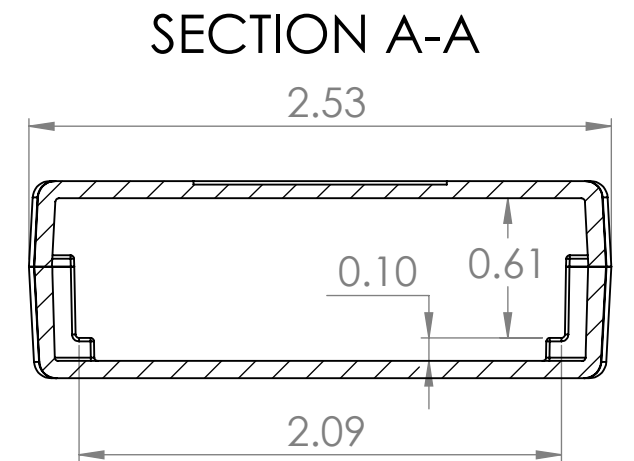
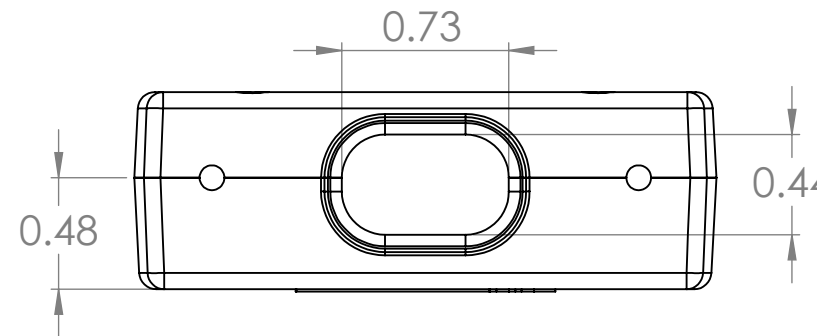
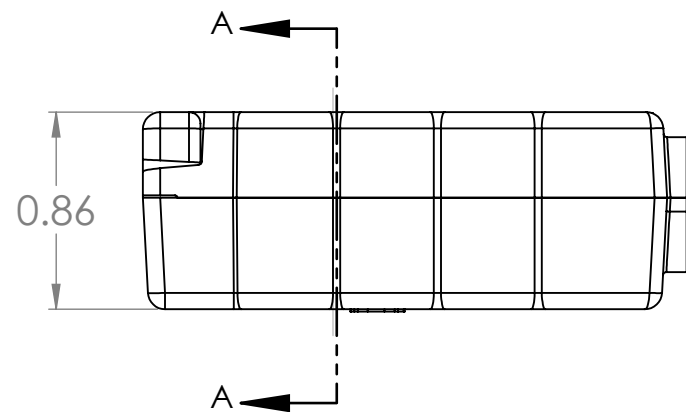
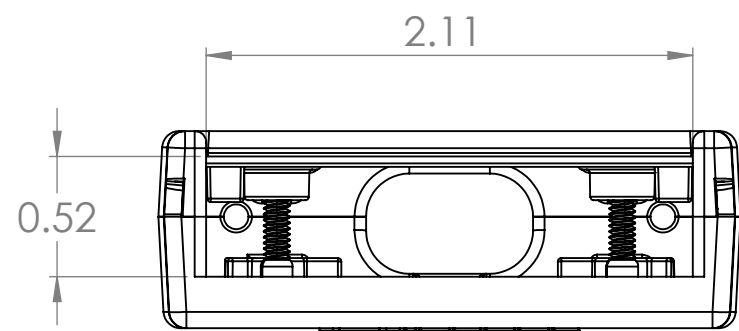
Cover



#4-40 Threaded Insert Molded in (2 PLCS)

0.069 ID, 0.125 Depth for optional #2 Coarse Thread Screw (2 PLCS)

#4-40 Pan-Head, 5/8" For Case Closure (Qty:2)	
3.5MM OD x 5.5MM Snap Rivet For PCB Mounting (Qty:2)	
0.1" Zip Tie, 4" For Wire Strain Relief (Qty:1)	



DIM: INCH	DATE: 12/28/2022	RoHS COMPLIANT: Yes	DESCRIPTION:
WINFORD ENGINEERING, LLC 4561 GARFIELD ROAD AUBURN, MI 48611 www.winford.com			DB25 PCB Enclosure Kit
			PART NUMBER (S) ECB25A1-N
		989-671-9721	