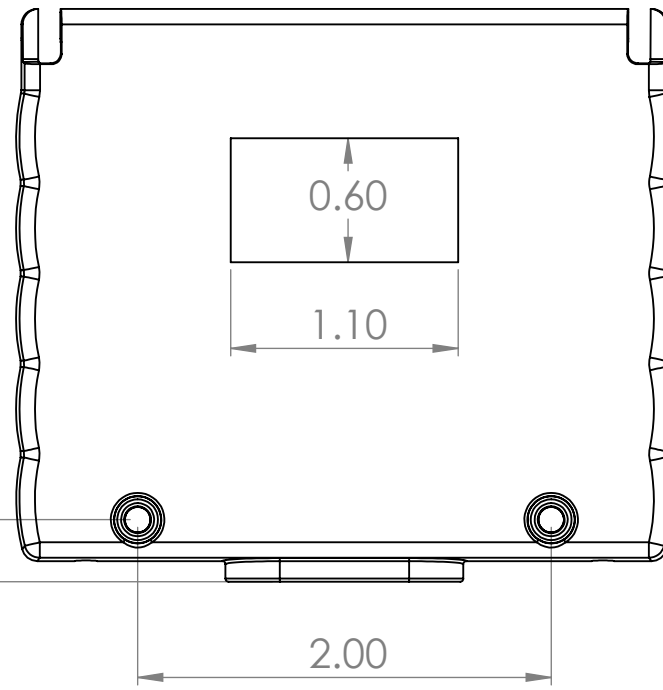
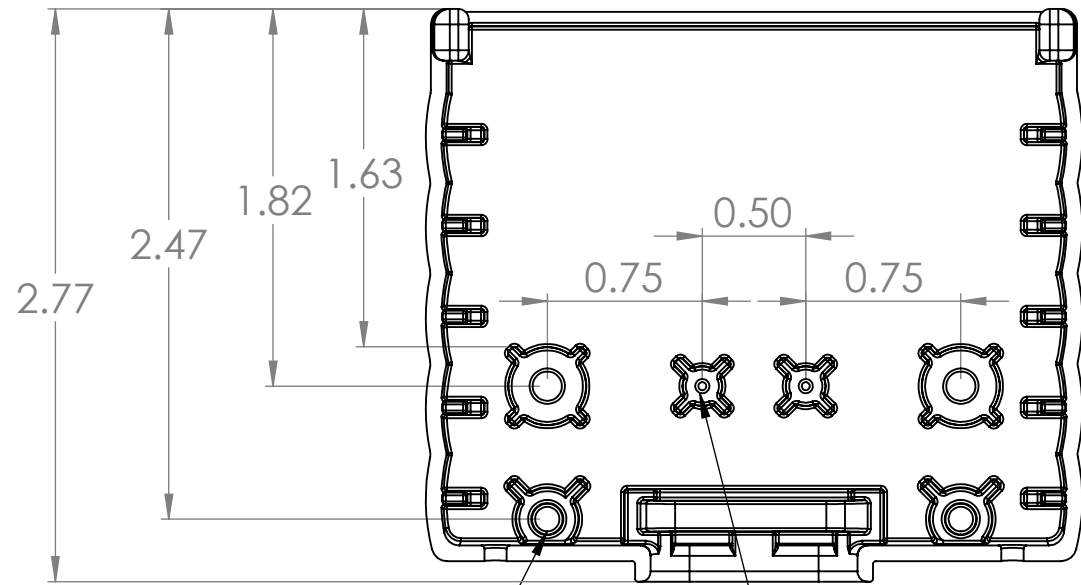


Note: See also "Recommended PCB Drawing to fit ECB37A1 Enclosure"

Base

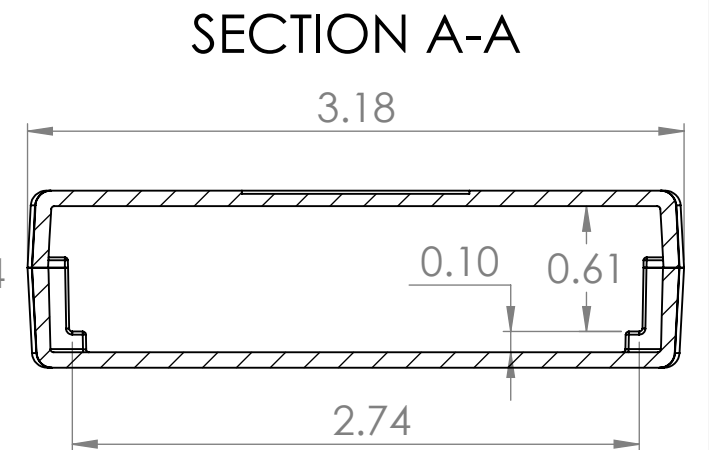
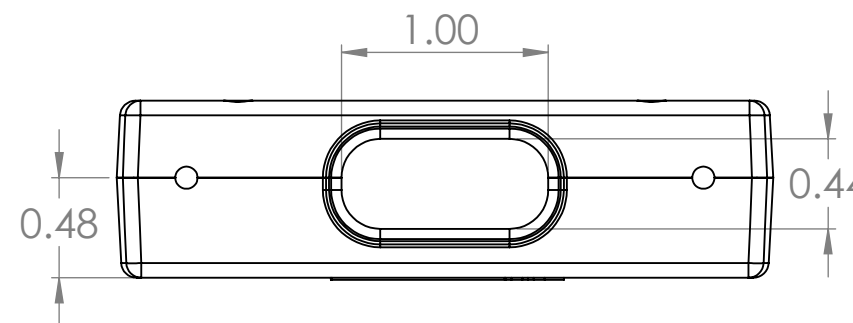
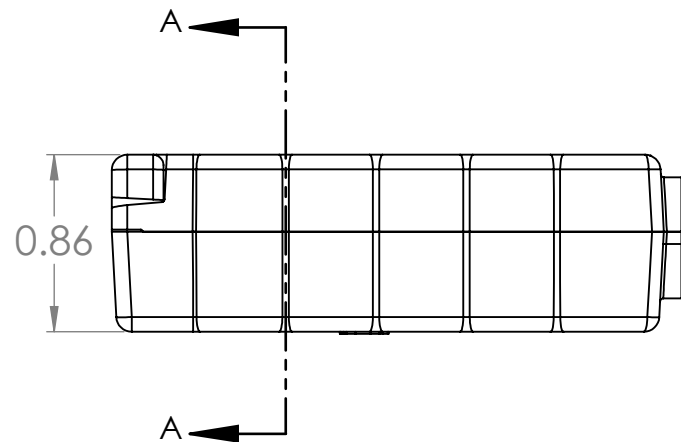
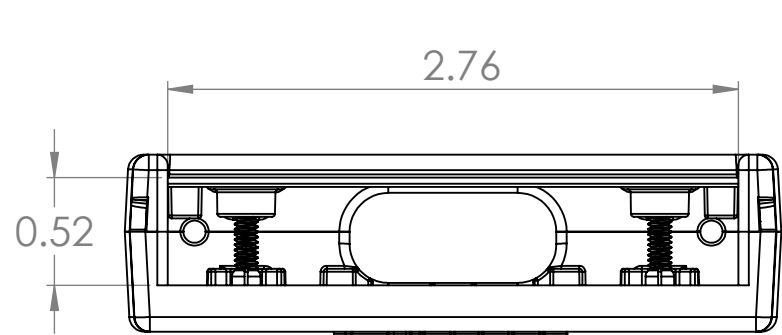
Cover



#4-40 Threaded Insert Molded in (2 PLCS)

0.069 ID, 0.125 Depth for optional #2 Coarse Thread Screw (2 PLCS)

#4-40 Pan-Head, 5/8" For Case Closure (Qty:2)	
3.5MM OD x 5.5MM Snap Rivet For PCB Mounting (Qty:2)	
0.1" Zip Tie, 4" For Wire Strain Relief (Qty:1)	



DIM: INCH	DATE: 01/10/2023	RoHS COMPLIANT: Yes	DESCRIPTION:	
WINFORD ENGINEERING, LLC 4561 GARFIELD ROAD AUBURN, MI 48611			DB37 PCB Enclosure Kit	
			PART NUMBER (S)	PART REVISION
www.winford.com			989-671-9721	ECB37A1-N
				A