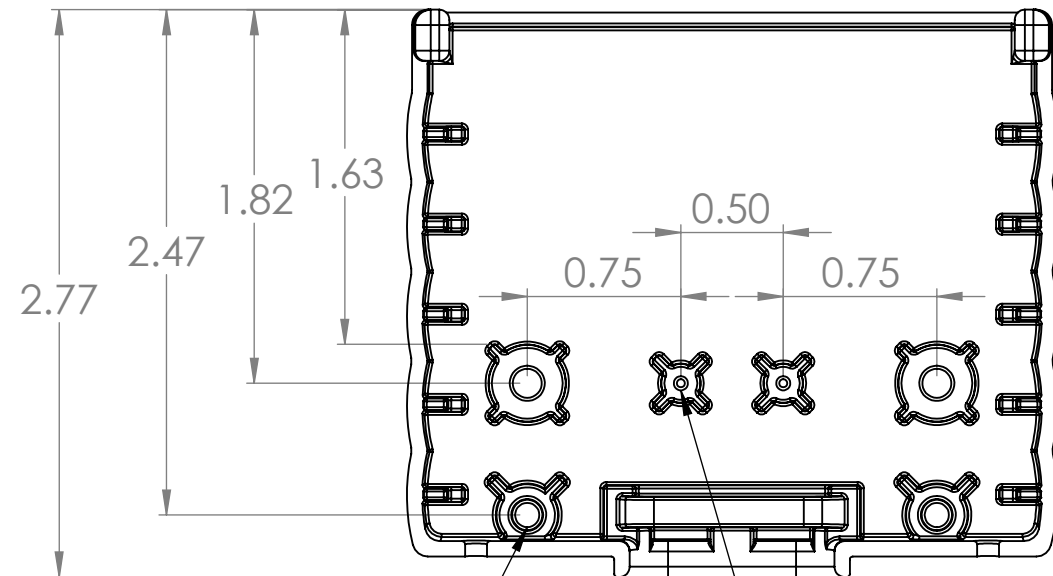


Note: See also "Recommended PCB Drawing to fit ECB37A1 Enclosure"

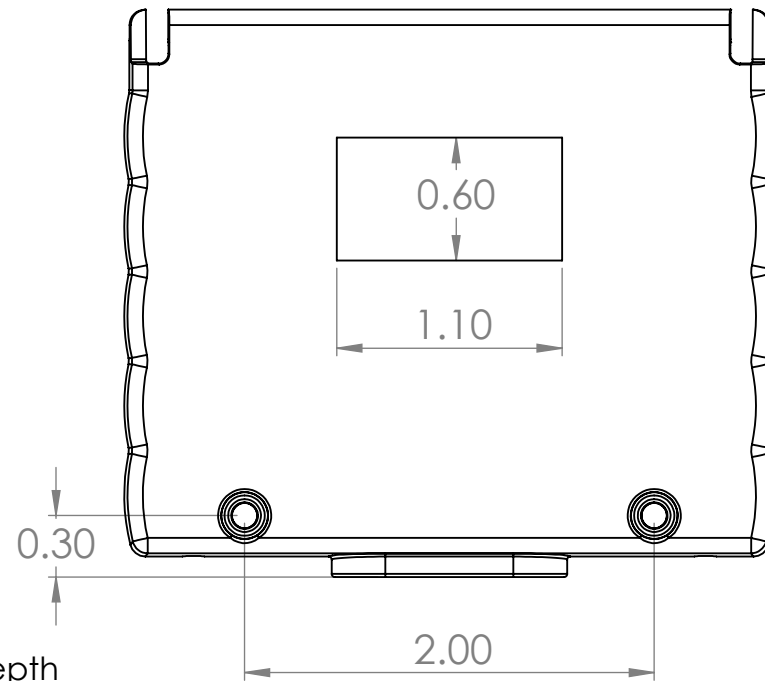
**Base**



#4-40 Threaded Insert Molded in (2 PLCS)

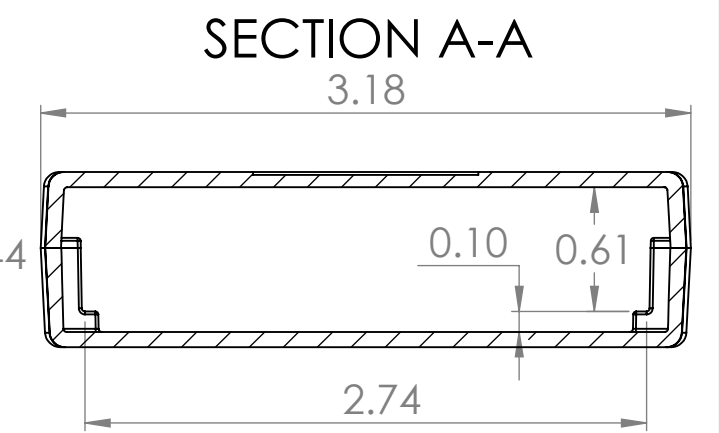
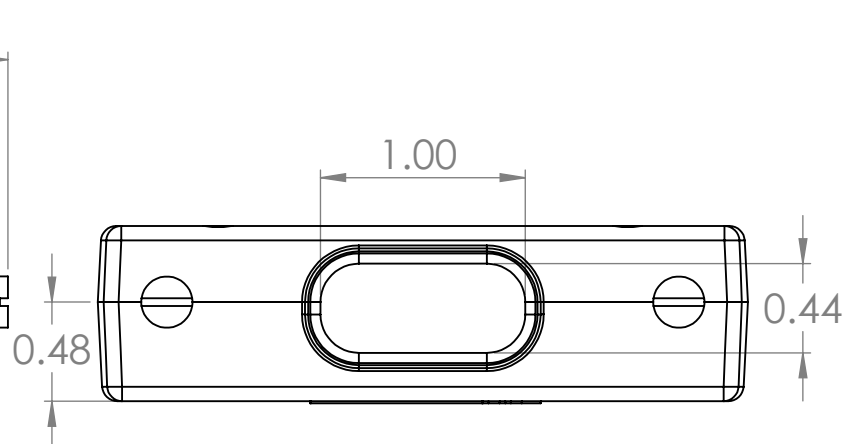
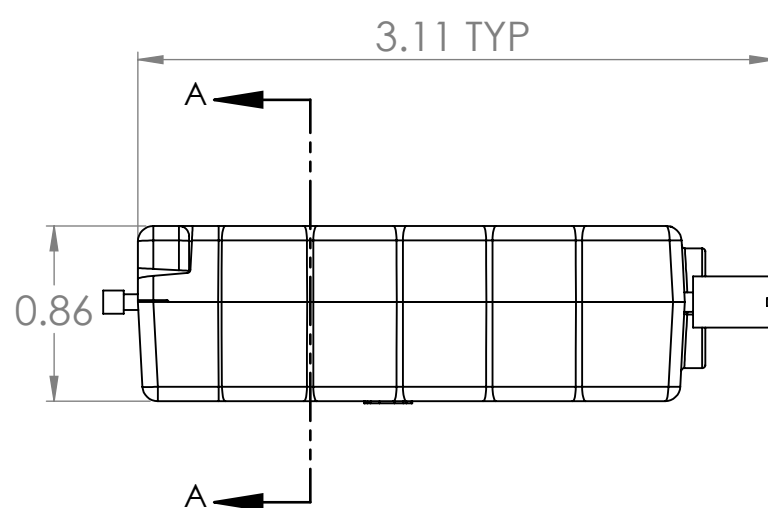
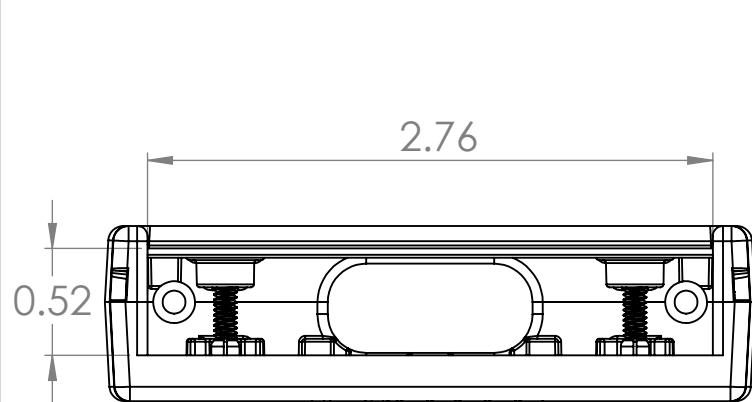
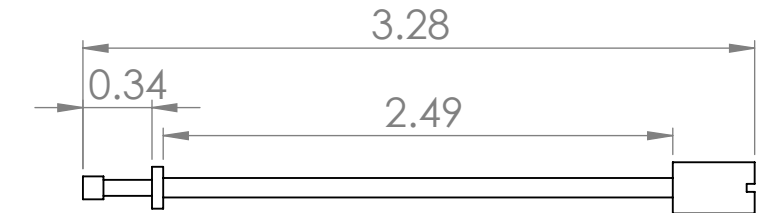
0.069 ID, 0.125 Depth for optional #2 Coarse Thread Screw (2 PLCS)

**Cover**



#4-40 Pan-Head, 5/8" For Case Closure (Qty:2)	
3.5MM OD x 5.5MM Snap Rivet For PCB Mounting (Qty:2)	
0.1" Zip Tie, 4" For Wire Strain Relief (Qty:1)	

#4-40 Thumbscrew, 3.28" (Qty: 2)



DIM: INCH	DATE: 01/10/2023	RoHS COMPLIANT: Yes	DESCRIPTION:
			DB37 PCB Enclosure Kit
www.winford.com		WINFORD ENGINEERING, LLC 4561 GARFIELD ROAD AUBURN, MI 48611 989-671-9721	PART NUMBER (S) ECB37A1-T
			PART REVISION A