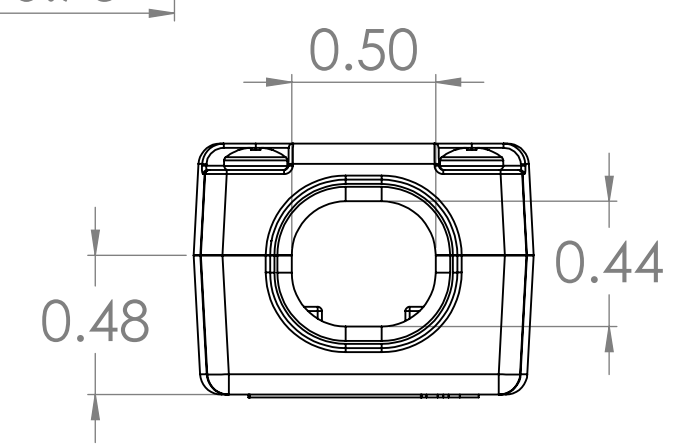
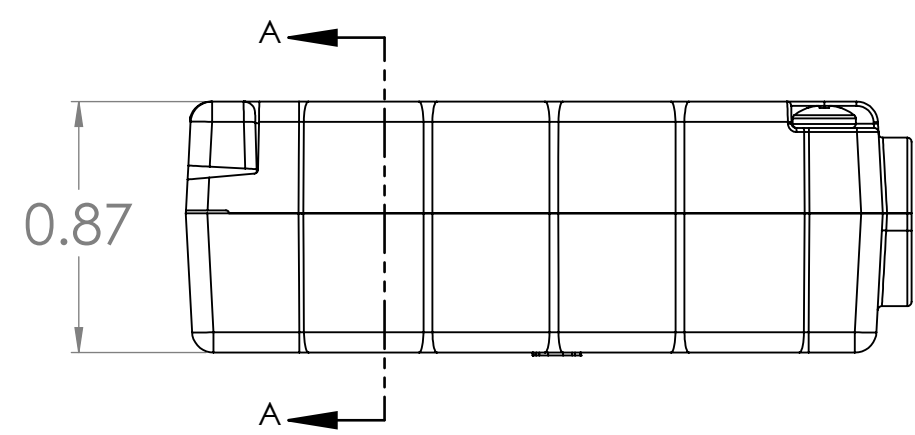
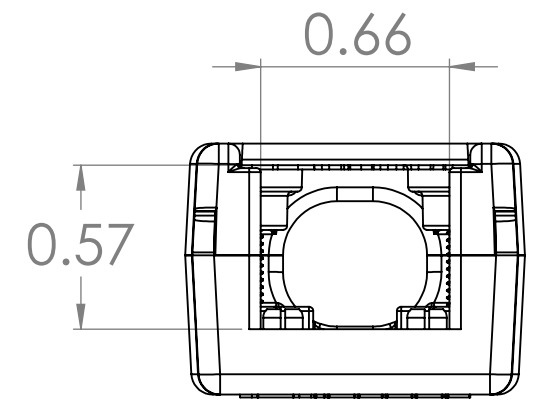
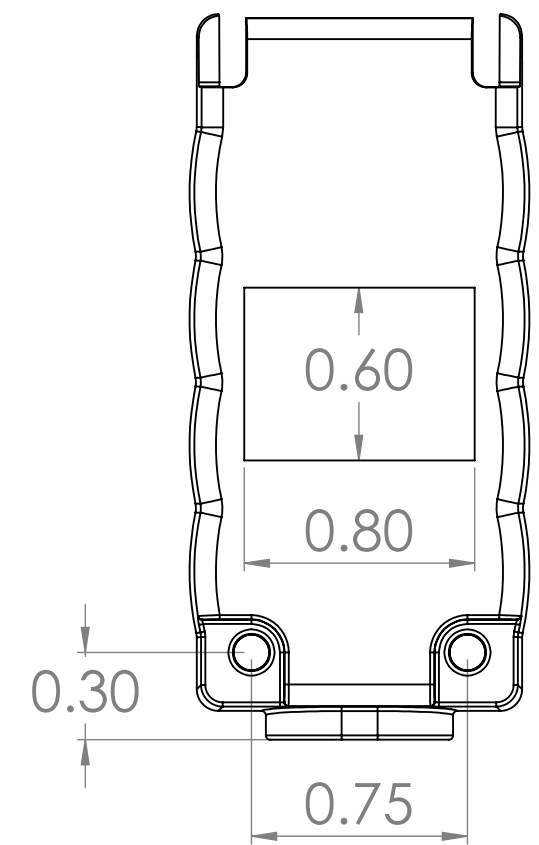
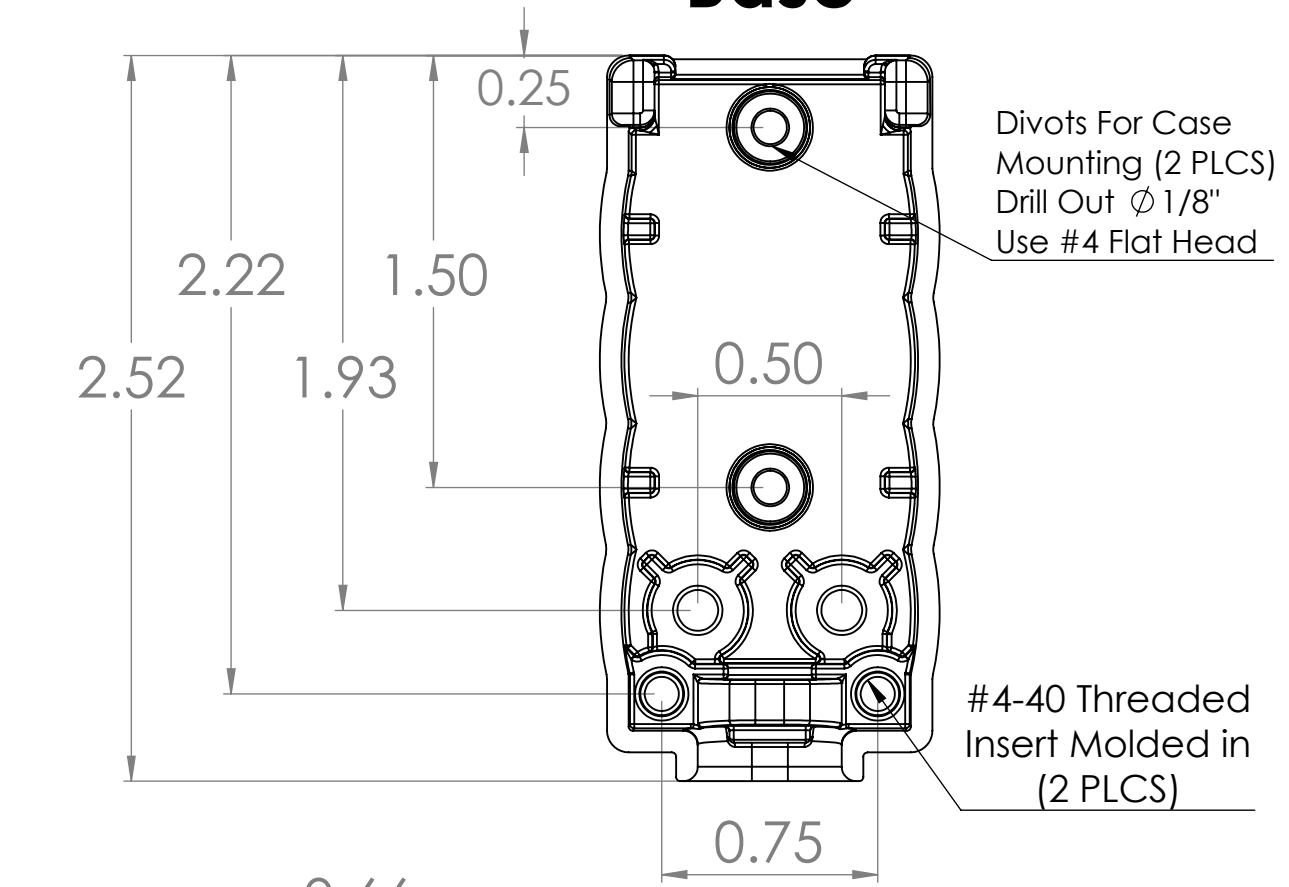


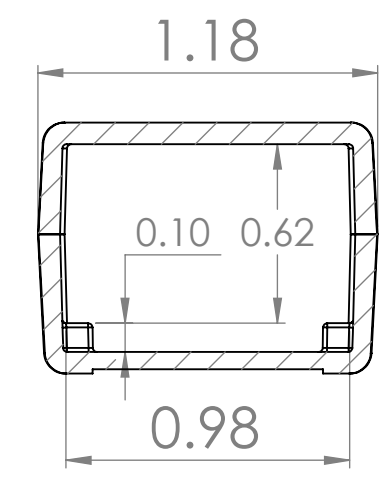
Note: See also "Recommended PCB Drawing to fit ECB8PB1 Enclosure"

**Base**

**Cover**



**SECTION A-A**



#4-40 Pan-Head, 5/8" For Case Closure (Qty:2)	
3.5MM OD x 5.5MM Snap Rivet For PCB Mounting (Qty:2)	
0.1" Zip Tie, 4" For Wire Strain Relief (Qty:1)	

DIM: INCH	DATE: 07/05/2024	RoHS COMPLIANT: Yes	DESCRIPTION:
WINFORD ENGINEERING, LLC 4561 GARFIELD ROAD AUBURN, MI 48611 www.winford.com			<b>RJ45/RJ50 PCB Enclosure Kit</b>
			PART NUMBER (S) <b>ECB8PB1-N</b>