

4

3

2

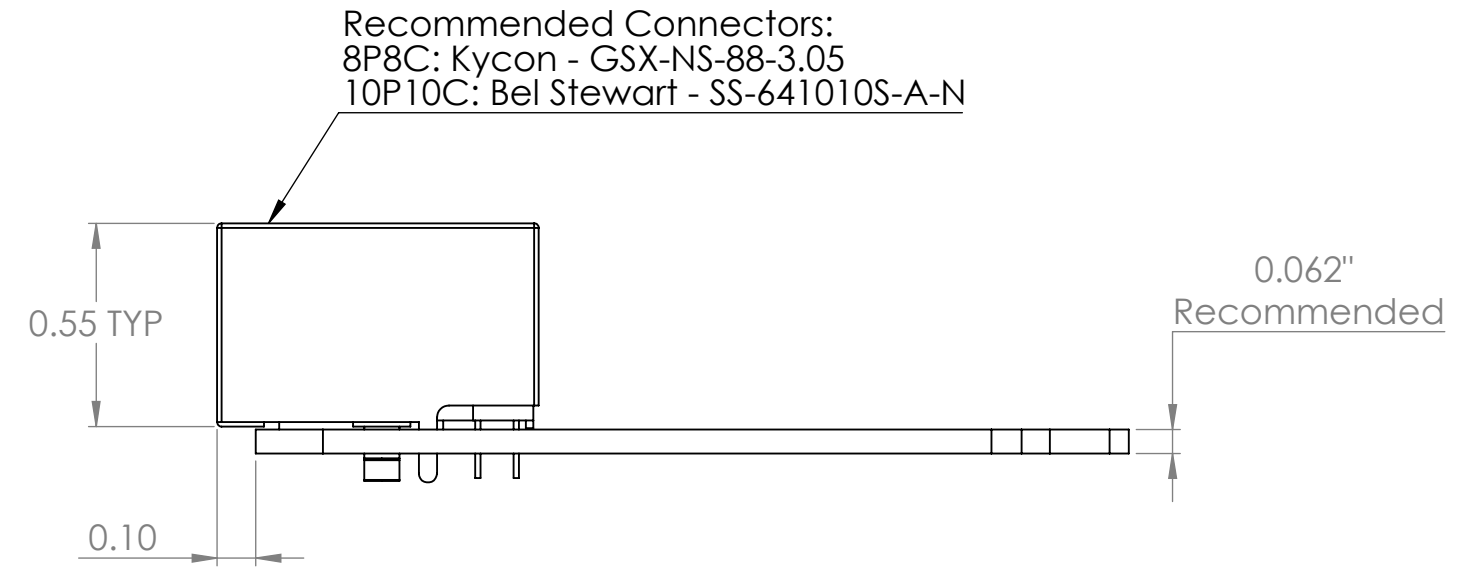
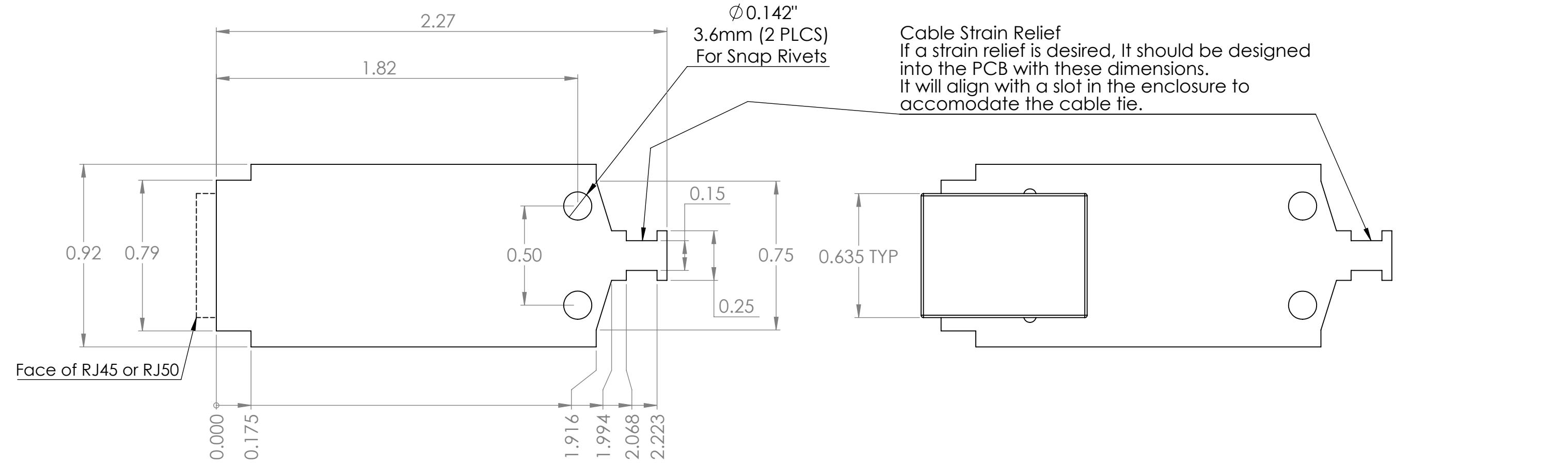
1


B

B

A

A



DIM: INCH	DATE: 07/05/2024	RoHS COMPLIANT: N/A	DESCRIPTION: Recommended PCB Drawing to fit ECB8PB1 Enclosure		
 WINFORD ENGINEERING, LLC 4561 GARFIELD ROAD AUBURN, MI 48611			PART NUMBER (S)	PART REVISION	
www.winford.com			989-671-9721	N/A	A

4

3

2

1